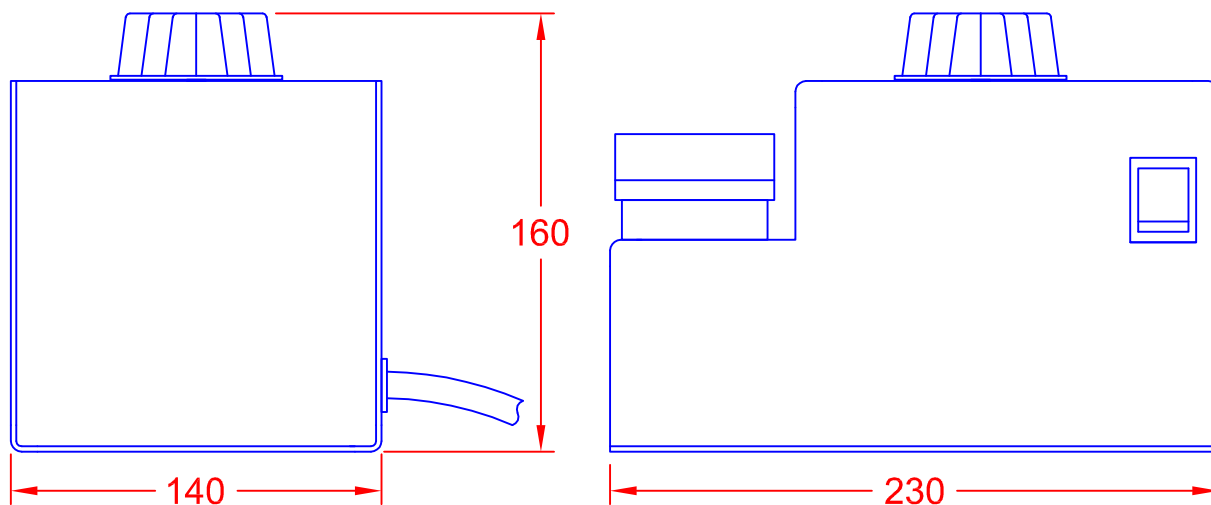
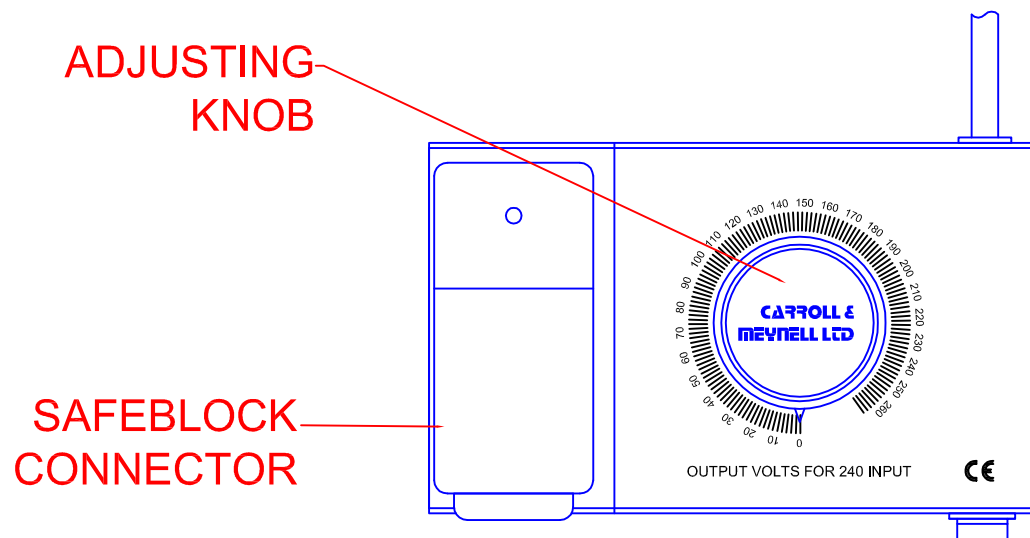


TOLERANCES (UNLESS SPECIFIED)	
0-10mm	±0.2mm
10.1-50mm	±0.5mm
50.1-250mm	±1.0mm
>250mm	±2.0mm



**BENCHTOP VARIABLE TRANSFORMER**  
**MODEL:** CMSE3  
**INPUT:** 230-240V  
**OUTPUT:** 0-112% OF INPUT  
**RATING:** 3A MAXIMUM  
**FUSE:** 3A  
**INPUT LEAD:** 2m 15A 3-CORE CABLE WITH  
 BS1363 13A UK DOMESTIC PLUG  
**SOCKET:** SAFEBLOCK  
 NEUTRAL-EARTH-LIVE



REV	
4	
3	
2	
1	

**CARROLL & MEYNELL**  
 TRANSFORMERS LIMITED  
 TEL: 01642 617406 FAX: 01642 614178  
 enquiries@carroll-meynell.com

TITLE  
**BENCHTOP VARIAC  
 CMSE3**  
 ALL DIMENSIONS IN mm

DRAWN	PROJECTION	DATE	SCALE
GB		15/02/08	NTS
DRAW No	5090	REV	PAGE
		0	1/1