



Flight LT 40x10 -CR0405HB-G70-032604-

(Family) (Model) (Part #)



Electrical Specifications

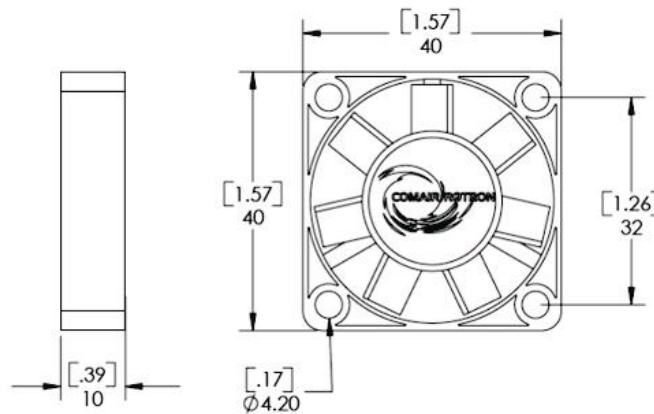
Operating Voltage:	5 Volts
Voltage Range:	4.5 - 5.5 Volts
Power Supply:	0.9 Watts
Line Current:	0.19 Amps
Locked Rotor Current:	0.24 Amps
Nominal Speed:	6000 RPM

Mechanical Specifications

Dimensions:	1.6 x 1.6 x 0.4 in
Weight:	0.8 oz
Max Airflow @ 0 in H ₂ O:	6.8 CFM
Max Pressure @ 0 CFM:	0.129 in H ₂ O
Noise:	25.0 dBA



Mechanical Drawing



Fan Performance Curve

