
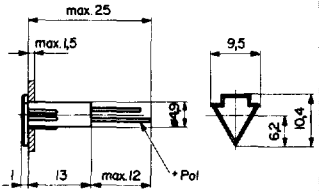
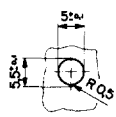

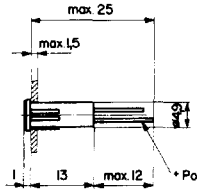
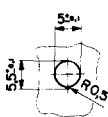
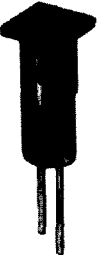
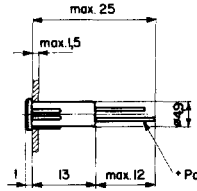



LED-Holder LML (for 3mm T1 LED)

| Models | Dimensions | Drilling diagram | Color | select your color | Part Number |
|---|---|---|--------------|--------------------------|-------------|
|  |  |  | clear red | <input type="checkbox"/> | 0035.1970 |
| | | | clear green | <input type="checkbox"/> | 0035.1971 |
| | | | clear yellow | <input type="checkbox"/> | 0035.1972 |
|  |  |  | clear red | <input type="checkbox"/> | 0035.1980 |
| | | | clear green | <input type="checkbox"/> | 0035.1981 |
| | | | clear yellow | <input type="checkbox"/> | 0035.1982 |
|  |  |  | clear red | <input type="checkbox"/> | 0035.1990 |
| | | | clear green | <input type="checkbox"/> | 0035.1991 |
| | | | clear yellow | <input type="checkbox"/> | 0035.1992 |

Technical data

1. Electrical data

Technical data LED 0925.0029/30/67 see page 91

2. Other data

Solderability

max.5s < 260°C (IEC 68 2-20 Test Ta Method 1)

Soldering heat resistance

2s 235°C (IEC 68 2-20 Test Tb Method 1A)

Ambient temperature

-25°C - + 85°C

Storage temperature

-55°C - +100°C

3. Materials

Socket

Thermoplast