



Flight II 90 - FN12B7X - 039101 -
 (Family) (Model) (Part #)

Electrical Specifications

Operating Voltage:	12 Volts
Voltage Range:	6 - 14 Volts
Power Supply:	2.4 Watts
Line Current:	0.20 Amps
Locked Rotor Current	0.50 Amps
Nominal Speed:	2784 RPM

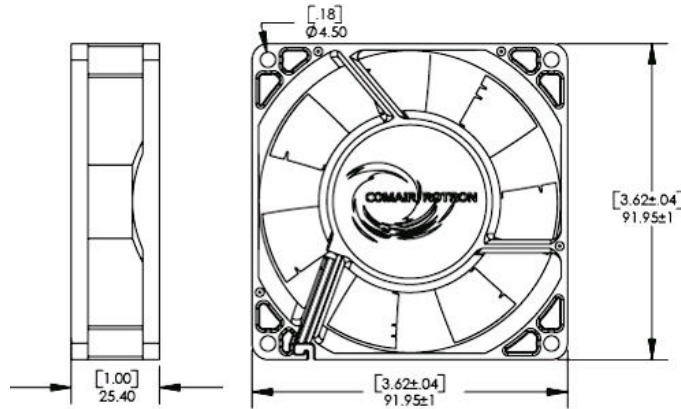


Mechanical Specifications

Dimensions:	3.6 x 3.6 x 1.0 in
Weight	7.1 oz
Max Airflow @ 0 in H ₂ O	45.0 CFM
Max Pressure @ 0 CFM	0.182 in H ₂ O
Noise	38.1 dBA



Mechanical Drawing



Fan Performance Curve

