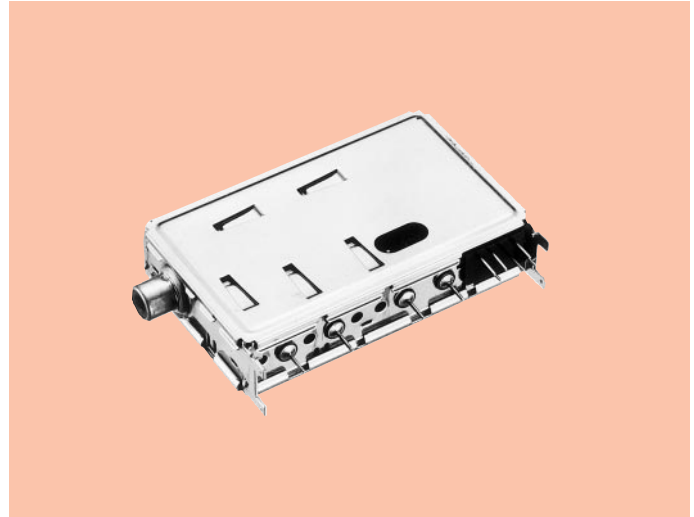


Compact (50cc) Tuner for TV, VCR UVE50-AW69D, UE50-B51D

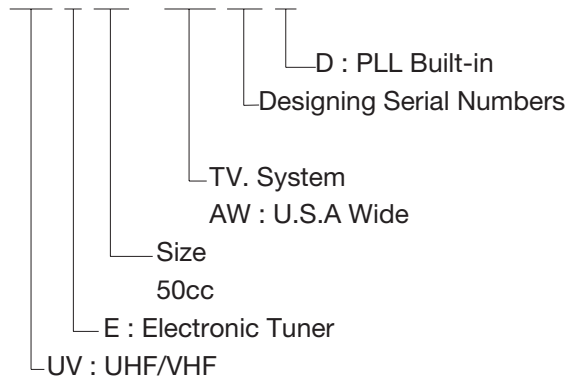
FEATURES

1. Compact (50cc).
2. With PLL IC (3wire).
3. High performance.
4. Can be directly soldered on P.C. board.
5. Used a monolithic IC.

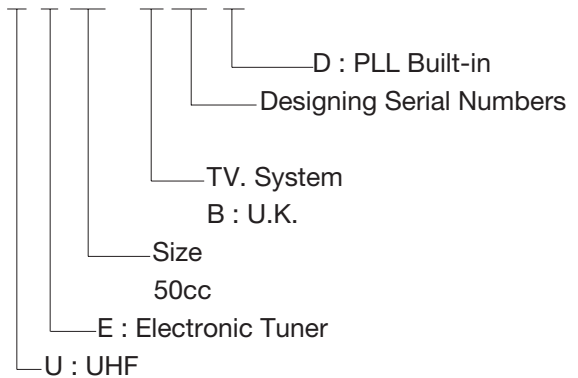


MODEL NAME CODE

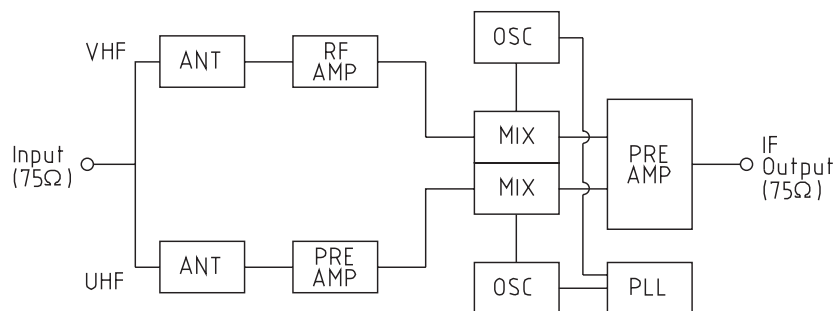
UVE50 - AW69D



UE50 - B51D



BLOCK DIAGRAM



SPECIFICATIONS

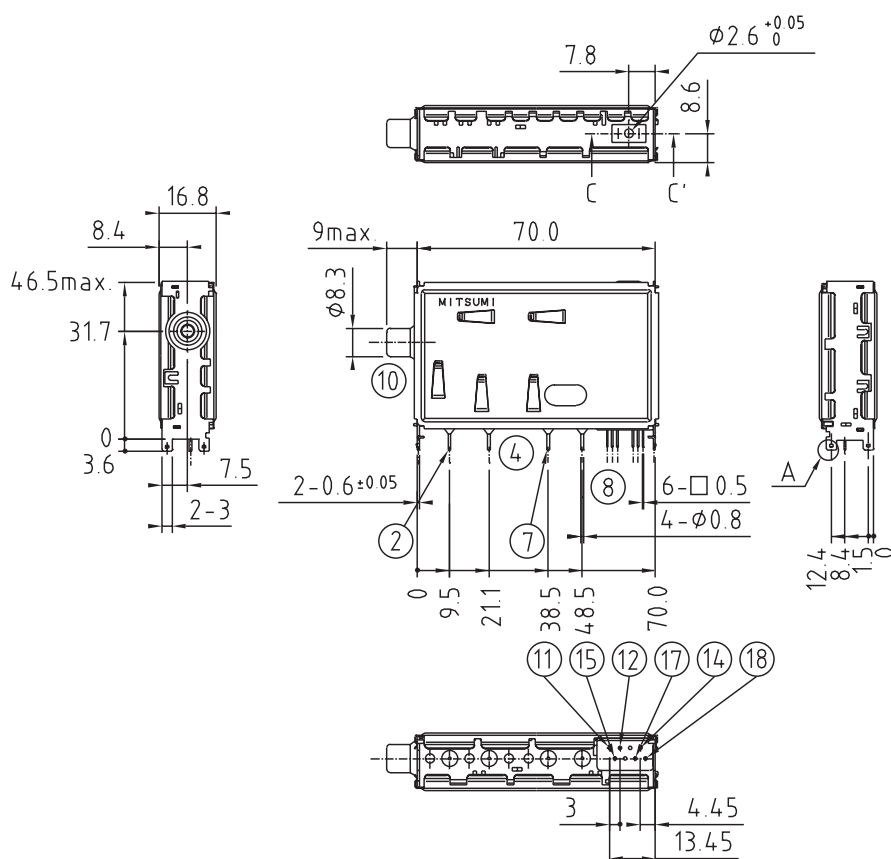
Item	Specifications		Unit
	UVE50-AW69D	UE50-B51D	
Input Frequency Range	54~806	470~862	MHz
Output Frequency	45.75	39.5	MHz
Input Impedance	75	75	Ω
Output Impedance	75	75	Ω
Supply Voltage	12	9	V
V.S.W.R.	VHF : 7, UHF : 6 max.	6 max.	—
Noise Figure	VL : 9, VH : 10, UHF : 10.5 max.	11 max.	dB
Power Gain	VL : 26, VH : 26, UHF : 26 min.	28 min.	dB
Cross Modulation	VHF : 70, UHF : 65 min.	70 min.	dB
Tuning Curve	VL : 1.1~23.0, VH : 1.5~25.0, UHF : 1.0~26.0	1.0~25.0	V
Image Rejection	VHF : 50, UHF : 40 min.	40 min.	dB
Gain Reduction	VHF : 40, UHF : 35 min.	35 min.	dB
+B Drift	VHF : ± 400 , UHF : ± 600 max.	± 400 max.	kHz

*Note Specifications subject to change without notice.

ADDITIONAL VARIETY IN UVE50 SERIES

Model	Band	Receiving Channel	IF (MHz)	Standard Voltage	Certification
UVE50-AW69D	U.S.A.	VL (2~13ch), VH (C-W+11ch), UHF (W+12~69ch)	45.75	+B=12.0V, AGC=7.5V PLL=5V	FCC, UL
UE50-B51D	U.K.	UHF (21~69ch)	39.5	+B=9.0V, AGC=5.5V PLL=5V	—

DIMENSIONS



Terminals
1. —
2. VT
3. —
4. AGC
5. —
6. —
7. BM
8. IF OUT
9. —
10. V-UHF ANT
11. BT
12. LOCK OUTPUT
13. —
14. DATA
15. +BP
16. —
17. CLOCK
18. ENABLE

Unit : mm