

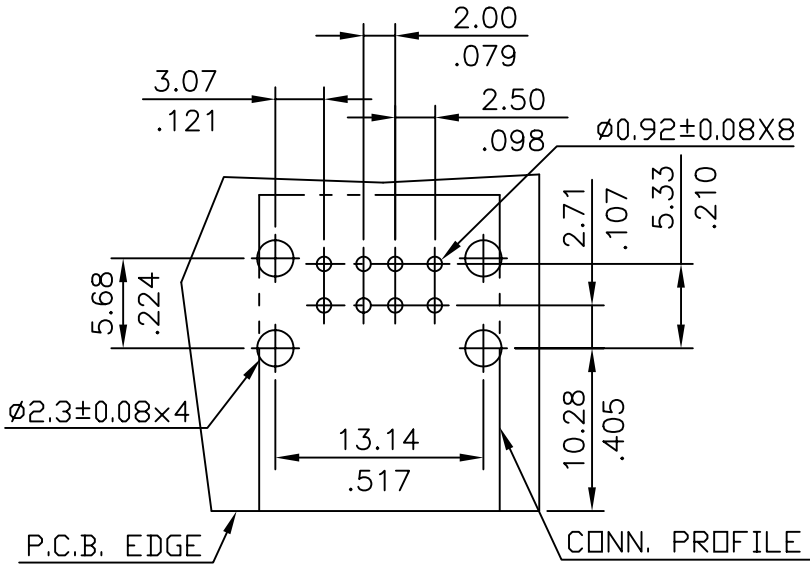
\*\*\* 2075 \*\*\*

MATERIAL :

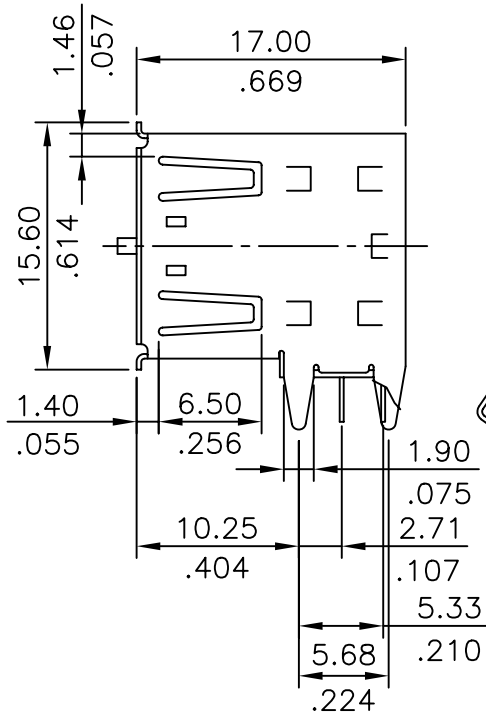
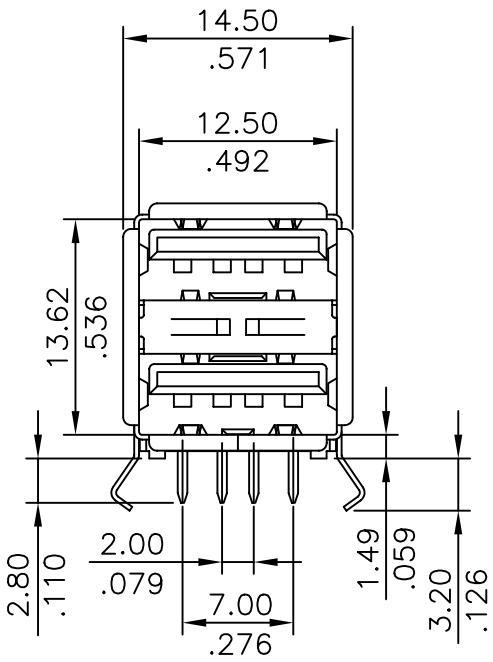
- \* Insulator : PBT UL94V-0
- \* Contact : Phosphor Bronze
- \* Shell : Phosphor Bronze

2075 S 1 \* 0 0 \* A  
1 2 3 4 5 6 7

1. Series No.
2. S : Socket
3. 1 : Double Stack
4. Contact plating:  
R = Selective gold flash over  
30μ" Pd-Ni plated over  
30μ" nickel  
K = 30μ" selective gold plated  
over 30μ" nickel
5. Type:  
0 : A Type
6. Type:  
0 : H Type Right Angle
7. Color :  
0 : Beige  
1 : Black  
2 : white



P.C.B. MOUNTING DIMENSIONS



**leoco** LEOCO CORPORATION

GENERAL TOLERANCE

X. ±	X. ± 2'
.X ± $\frac{0.30}{.012}$	.X' ±
.XX ± $\frac{0.20}{.008}$	.XX' ±
.XXX ± $\frac{0.10}{.004}$	.XXX' ±

APPROVED BY:

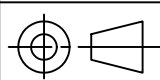
PART NO.:  
2075S1\*00\*A

CHECKED BY:

TITLE:  
USB CONNECTOR

DRAW BY:

DRAWING NO.:  
207544S



UNITS  
mm / inch

SCALE	SIZE	SHEET	REV.
2:1	A4	1/1	B

REV.	ECO. NO.	CHG	DATE
B	E010015	NICK	
A	DWG REL.	NICK	