

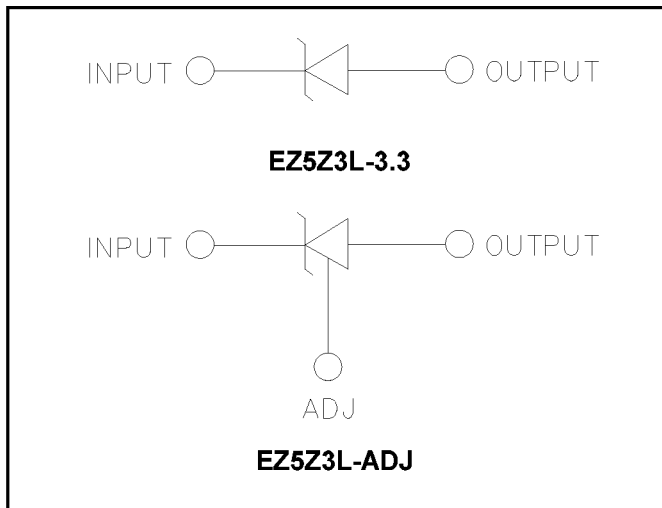
April 13, 1998

 TEL:805-498-2111 FAX:805-498-3804 WEB:<http://www.semtech.com>

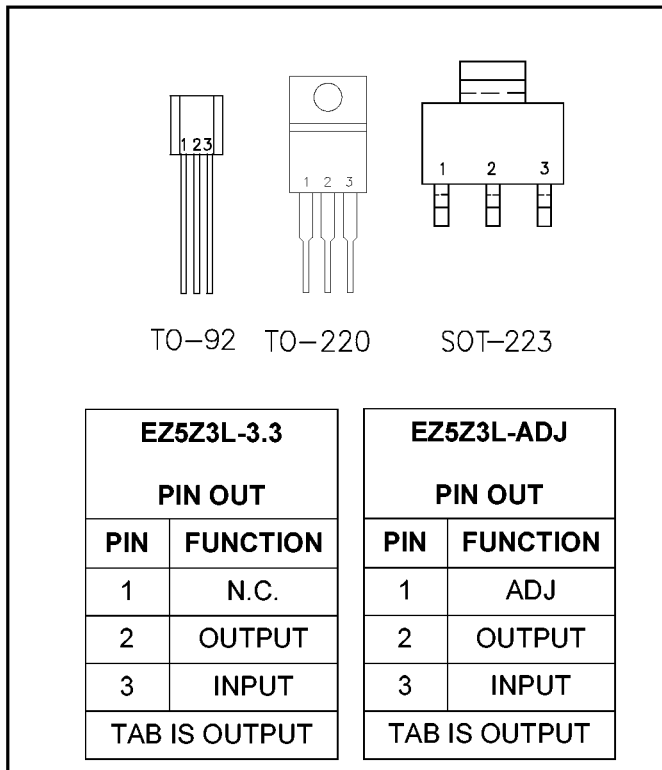
DESCRIPTION

The EZ5Z3L voltage converters are innovative 2 terminal devices that accept a regulated 5.0V input and reduce it to 3.3V over a range of 5mA to 250mA. The EZ5Z3L-ADJ is an adjustable 3 terminal model allowing output voltage trimming.

SYMBOLS



PIN CONFIGURATIONS



FEATURES

- External components not required
- Heatsink not required
- 2 simple connections
- 250mA output current
- Generates no EMI or spikes
- TO-92, TO-220 and SOT-223 packages
- Drops 5V to 3.3V, ADJ

ORDERING INFORMATION

DEVICE	V_{IN}	PACKAGE	V_{OUT} VOLTS
EZ5Z3L - T3.3	5	TO-220	3.3
EZ5Z3L - TADJ			ADJ
EZ5Z3L - S3.3	5	SOT-223 ⁽²⁾	3.3
EZ5Z3L - SADJ			ADJ
EZ5Z3L - Z3.3	5	TO-92 ⁽²⁾	3.3
EZ5Z3L - ZADJ			ADJ

Notes:

(1) Contact factory for additional voltage options.

(2) Add suffix 'TR' for tape and reel (SOT-223, TO-92). Add suffix 'TA' for ammo pack (TO-92).

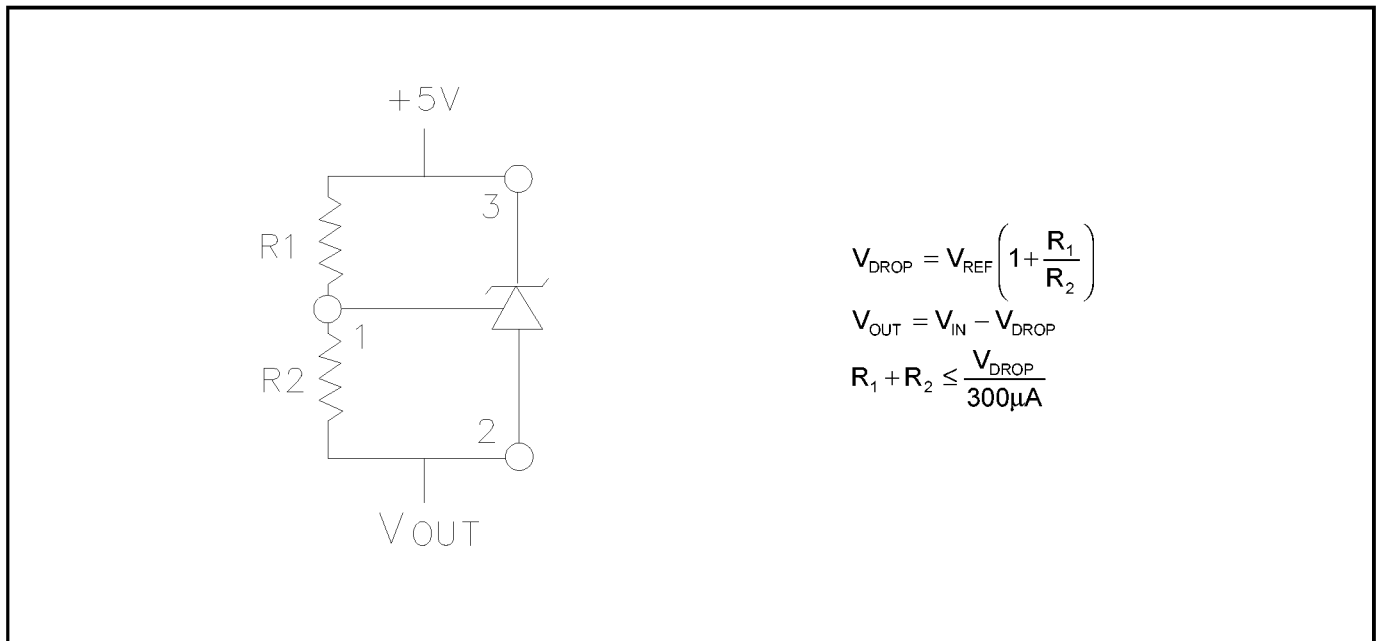
ABSOLUTE MAXIMUM RATINGS

Parameter	Symbol	Maximum	Units
Power Dissipation	P_D	0.5	W
Continuous Current	I_C	250	mA
Thermal Resistance Junction to Case	θ_{JC}	15	$^{\circ}C/W$
TO-220		15	
SOT-223 TO-92		83	
Thermal Resistance Junction to Ambient	θ_{JA}	50	$^{\circ}C/W$
TO-220		156	
SOT-223 TO-92		200	
Operating Junction Temperature Range	T_J	-40 to 150	$^{\circ}C$
Storage Temperature Range	T_{STG}	-65 to 150	$^{\circ}C$
Lead Temperature (Soldering) 10 Sec	T_{LEAD}	260	$^{\circ}C$

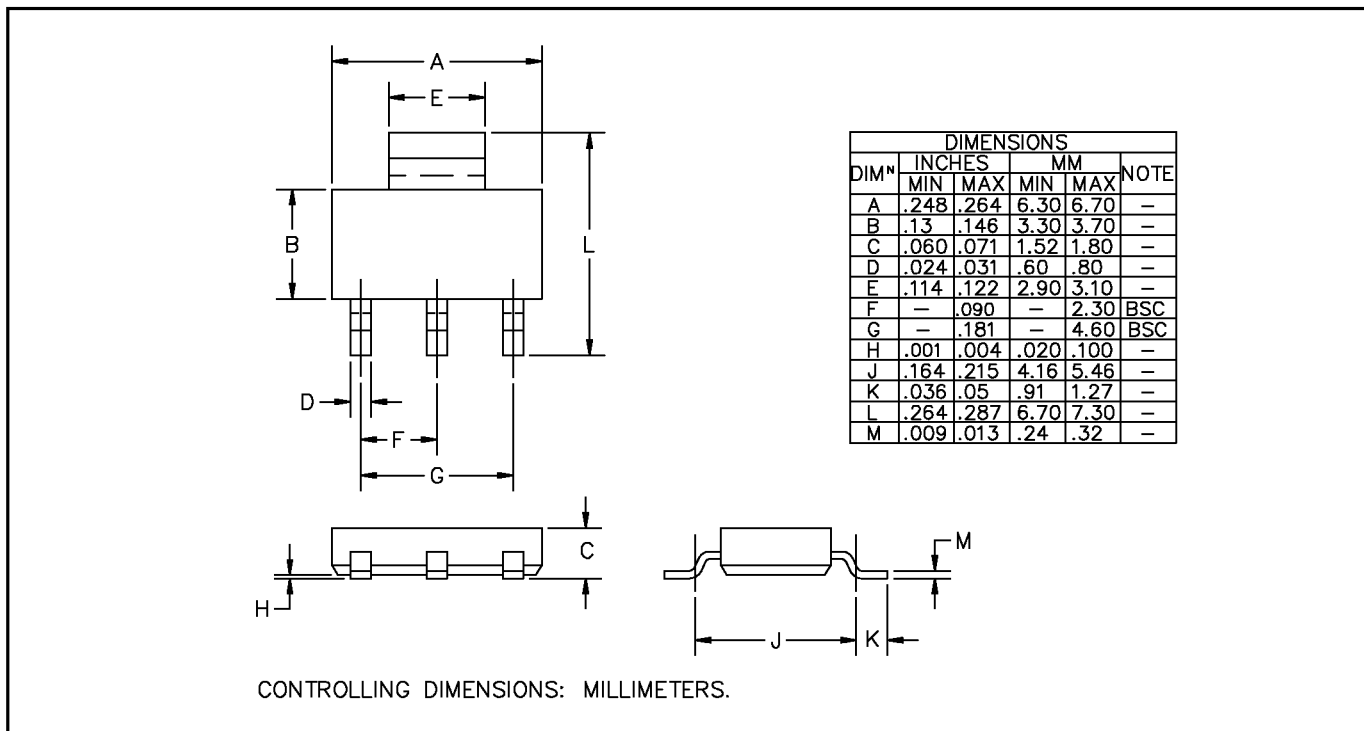
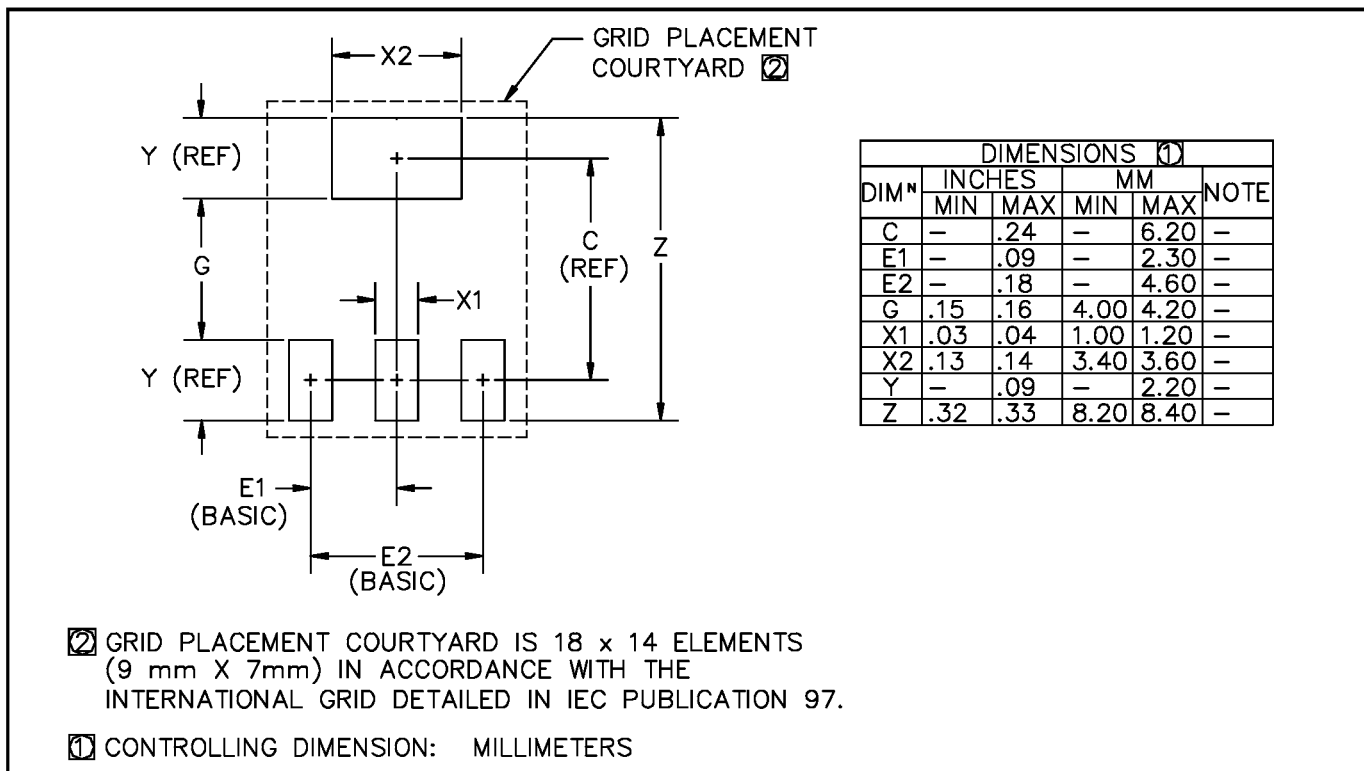
April 13, 1998

ELECTRICAL CHARACTERISTICS

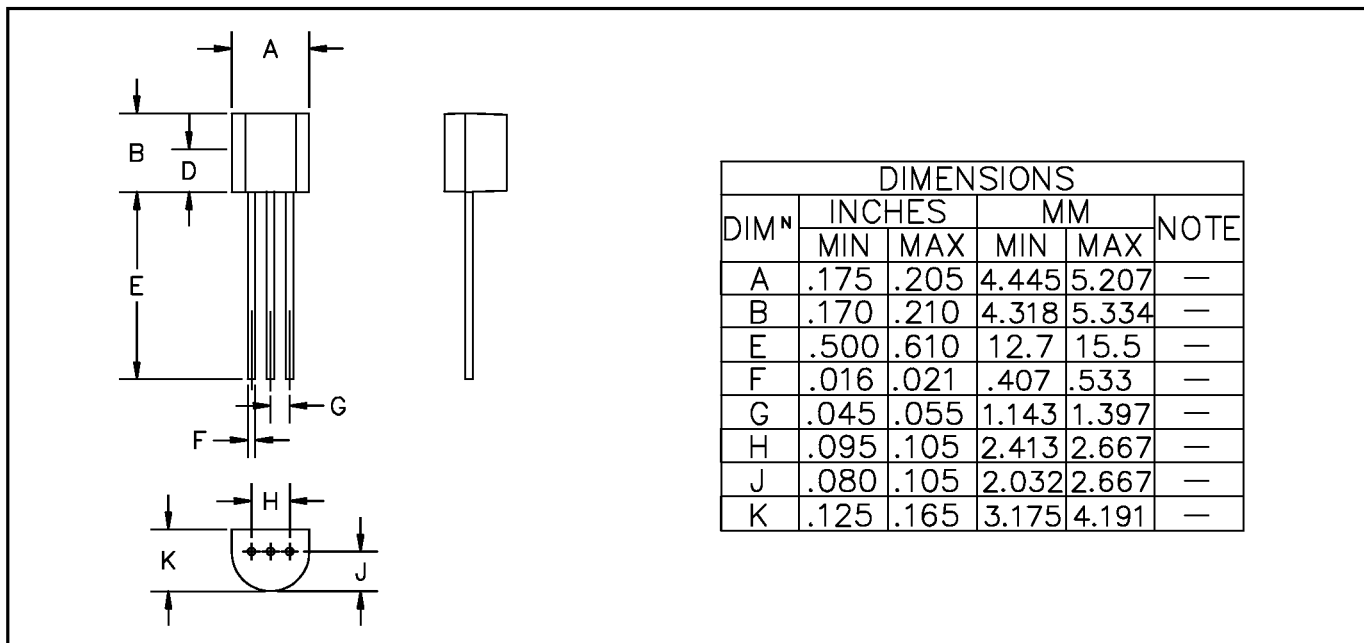
Parameter	Symbol	Test Conditions			Test Limits			Units
		V _{IN}	I _o	T _J	Min	Typ	Max	
EZ5Z3L-3.3	V _O	5V	125mA	25°C	3.20	3.30	3.39	V
			5mA to 250mA	-40 to 125°C	3.13	3.30	3.46	
EZ5Z3L-ADJ	V _{REF}	5V	125mA	25°C	1.21	1.25	1.28	V
			5mA to 250mA	-40 to 125°C	1.18	1.25	1.31	
Regulation	REG _(LOAD)	5V	5mA to 250mA	25°C		0.5	1.0	% V _O
Temp. Coefficient	T _C	5V	125mA	-40 to 125°C		0.005	0.01	% V _O / °C

ADJUSTING EZ5Z3L-ADJ


April 13, 1998

DEVICE OUTLINE - SOT-223

LAND PATTERN - SOT-223


April 13, 1998

DEVICE OUTLINE - TO-92

DEVICE OUTLINE - TO-220
