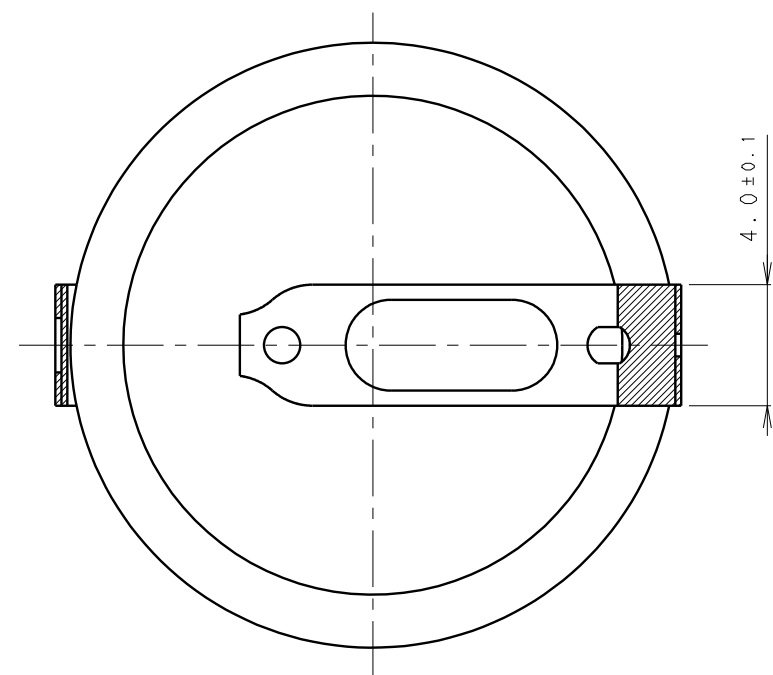
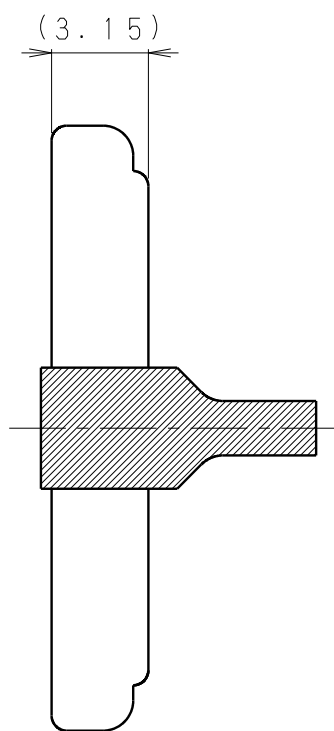
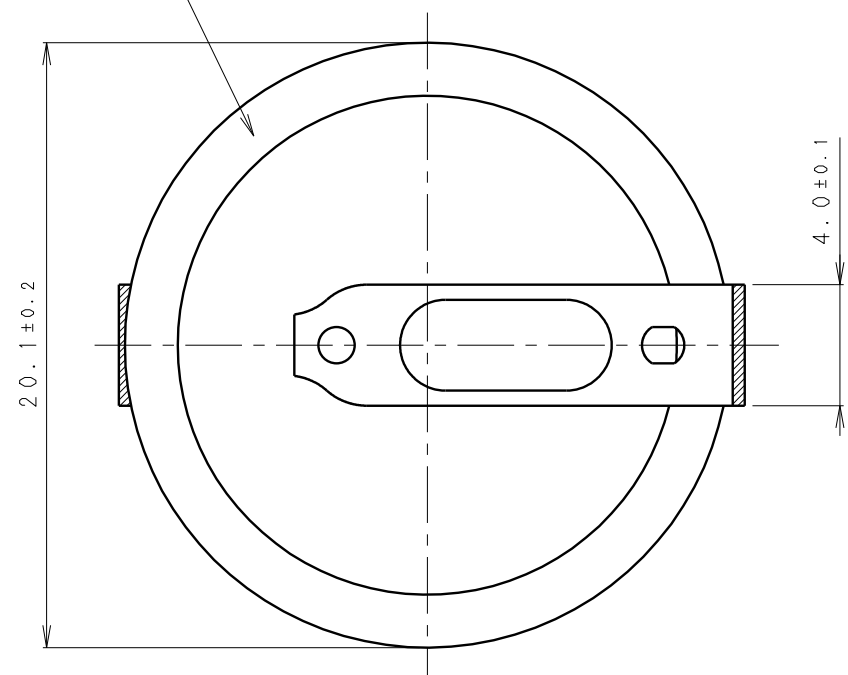
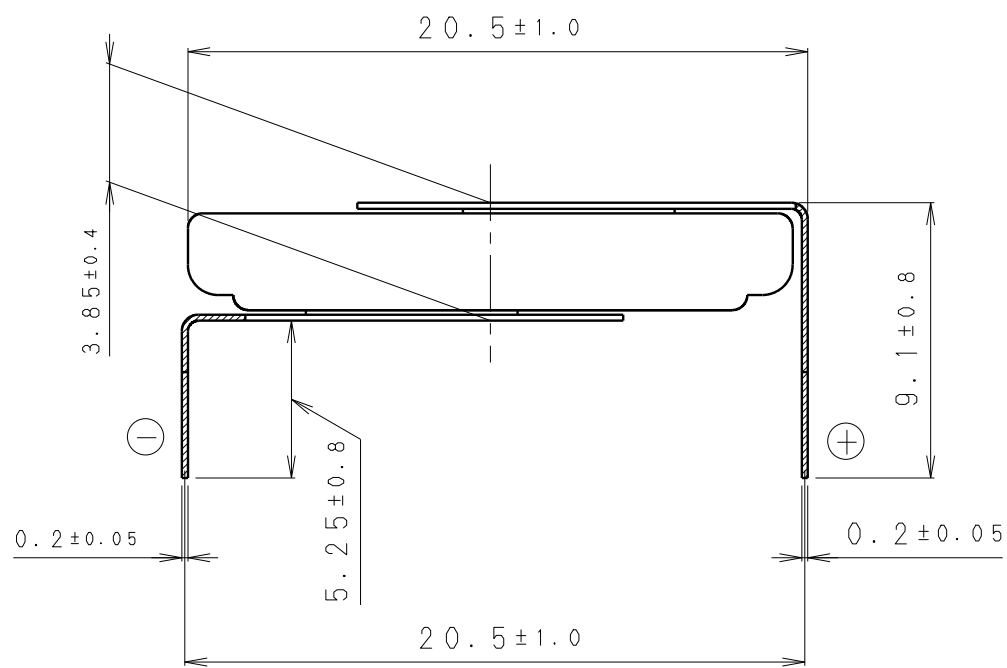
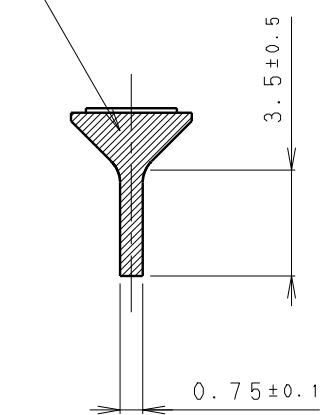


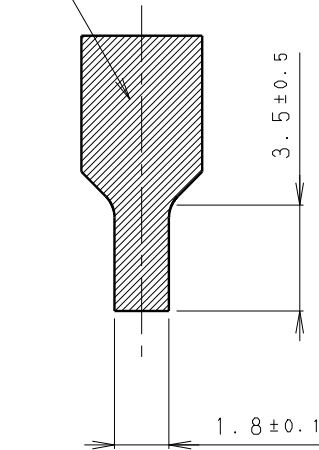
INSULATOR (YELLOW)  
[絶縁チューブ (黄色)]



TIN PLATING  
[Snメッキ]



TIN PLATING  
[Snメッキ]



\* NOTE [注記]

1. TAB PULLING STRENGTH OVER 19.6N [端子溶接強度: 19.6N以上]
2. TAB MATERIAL: STAINLESS STEEL WITH TIN PLATING [端子材料: 基材 ステンレス/表面 部分Snメッキ]
3. ( ): REFERENCE DIMENSION AND ANGLE [ ( ) 寸法、角度は参考値 ]

PRODUCT NO.	CR-2032/HF1K	SCALE	4:1
DRAWING NO.	PMHC1Z	REV.	0
			UNIT:mm