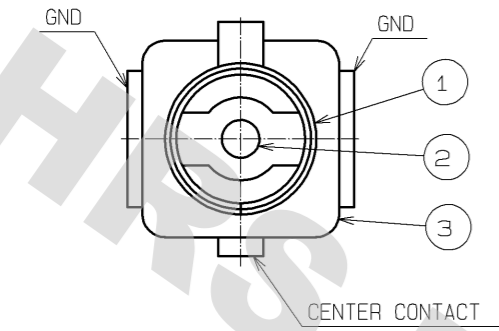
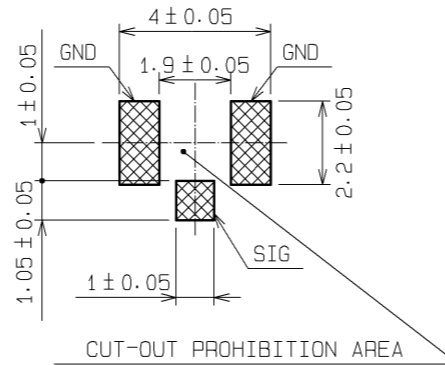


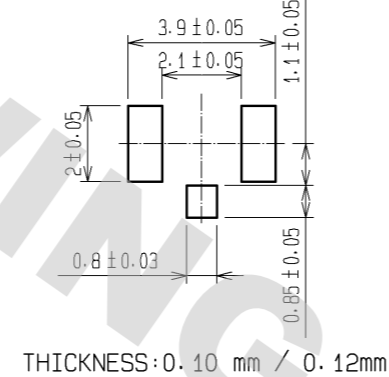
DRAWING FOR REFERENCE: This is subject to change without notice
08/11/2012



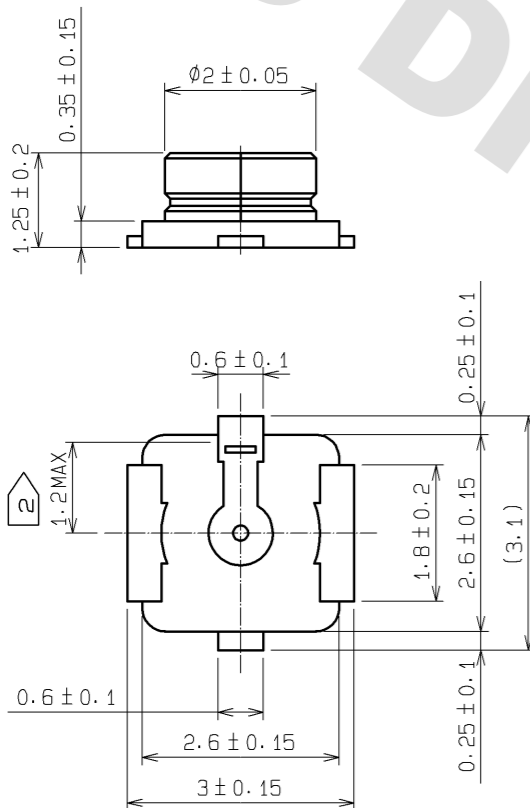
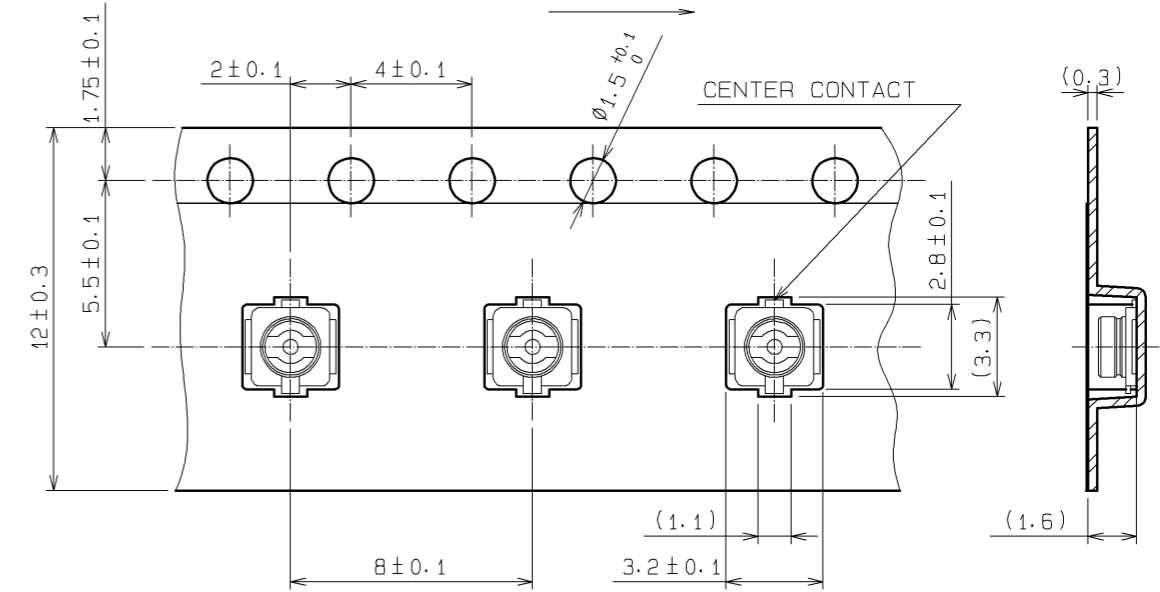
RECOMMENDED PC BOARD PATTERN DRAWING (5:1)



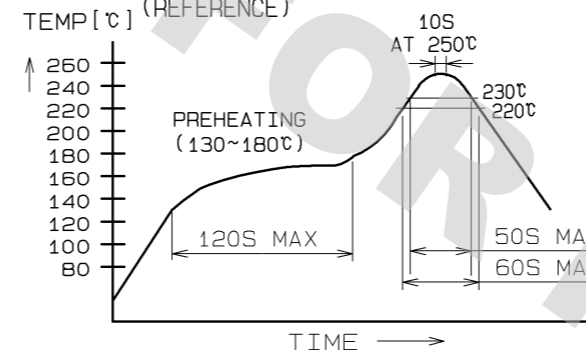
RECOMMENDED METAL MASK DRAWING (5:1)



ENBOSSED TAPING DRAWING (4:1)
DIRECTION OF UNREELING

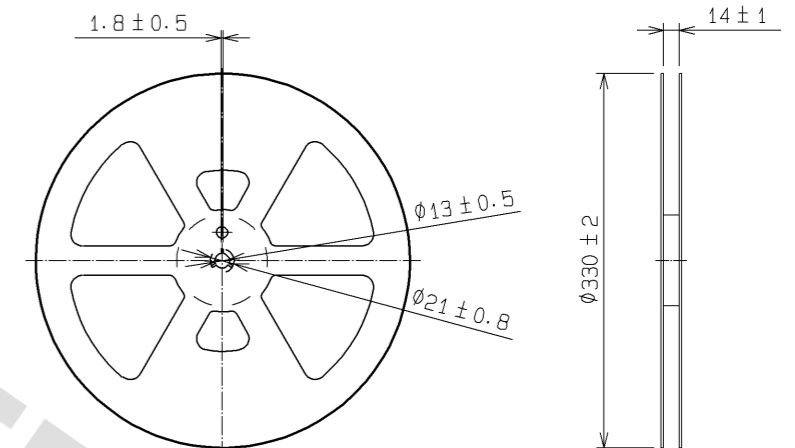


MOUNTING TEMPERATURE PROFILE (REFERENCE)



NOTE
MOUNTING TEMPERATURE PROFILE VARIES ACCORDING TO BOARD SIZE, SOLDER TYPE APPLIED AND SOLDER THICKNESS.
·METAL MASK THICKNESS: 0.10 mm / 0.12mm
·Up to 2 cycles of Reflow.

REEL DRAWING (SCALE FREE)



MATERIAL : PS (BLACK)

NOTES:

- 1: THE QUANTITY OF U.FL-R-SMT-1(40) IS 4000 CONNECTORS PER REEL.
- 2: THIS DIMENSION SHOWS THE ALLOWABLE RANGE THAT THE RESIN IS PUT OVER THE CENTER CONTACT.
- 3: LEAD CO-PLANARITY SHALL BE 0.1MAX.
- 4: FOR THE POSSIBILITY OF BREAKAGE OR DEFORMATION, DO NOT MATE THIS CONNECTOR WITH PARTNER, U.FL-LP-*** BEFORE MOUNTING ON PC BOARD.
- 5: USE ALL PRODUCTS WITHIN 6 MONTHS AFTER THE DELIVERY. STORE THEM IN MANUFACTURER'S PACKAGE OR TIGHTLY RE-CLOSED BOX WITH THE FOLLOWING CONDITIONS. CHECK THE TERMINAL SOLDERABILITY BEFORE USE IF THE PRODUCT HAS BEEN STORED FOR MORE THAN 6 MONTHS.
TEMPERATURE: -10°C TO +40°C
HUMIDITY : 15 TO 85% RH.
- 6: ENVIRONMENTAL CONDITIONS DO NOT USE THE PRODUCTS UNDER THE ENVIRONMENTAL CONDITIONS AS SHOWN BELOW DUE TO POSSIBLE PRODUCT DETERIORATION.
SPECIAL GAS ATMOSPHERE (HYDROGEN SULFIDE GAS, SULFUR SULFIDE GAS AND HYDROGEN CHLORIDE GAS)
PLACE ATTENTION REQUIRED: HEATING SYSTEM, AREA NEAR HOT SPRING, VOLCANIC MOUNTAIN AND ALIKE.
WATER SPLASHED AND CONDENSATION PLACES.
PLACE ATTENTION REQUIRED: HARSH TEMPERATURE CHANGE.

2	BRASS	GOLD PLATING	4000 PCS/PLASTIC REEL				
1	PHOSPHOR BRONZE	SILVER PLATING	3	LCP	(BEIGE), UL94V-0		
NO.	MATERIAL	FINISH, REMARKS	NO.	MATERIAL	FINISH, REMARKS		
UNITS	mm	SCALE	COUNT	DESCRIPTION OF REVISIONS	DESIGNED	CHECKED	DATE
		10:1	2	DIS-D-001378	YI. FUNADA	NK. NINOMIYA	09.03.12
APPROVED: IJ. MITANI		06.11.17		DRAWING NO. EDC3-302540-40			
CHECKED: IJ. MITANI		06.11.17		PART NO. U.FL-R-SMT-1(40)			
DESIGNED: NK. NINOMIYA		06.11.17		CODE NO. CL331-0472-2-40			
DRAWN: NK. NINOMIYA		06.11.17					