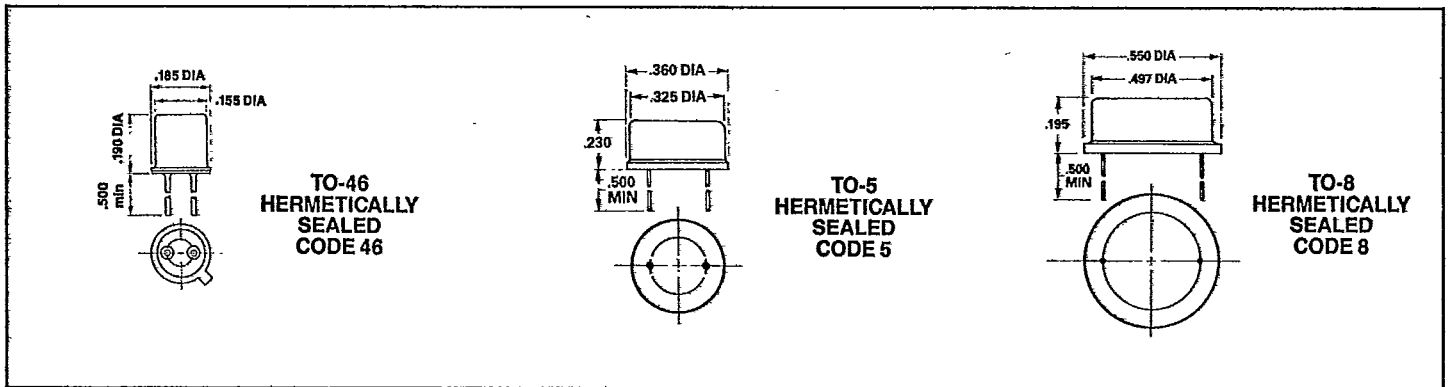
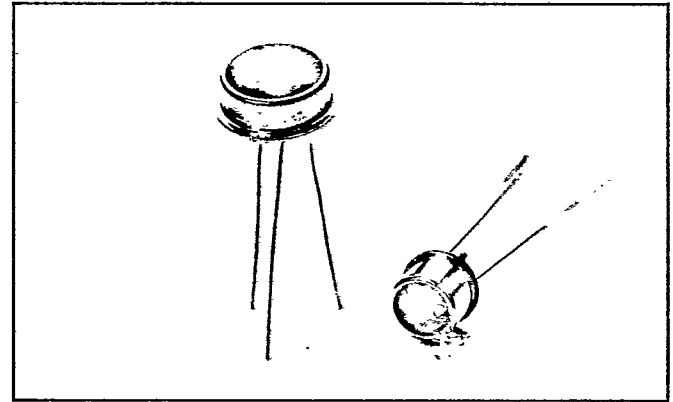


Lead Selenide
Hermetically Sealed
Series FM

FEATURES

- Hermetically Sealed Packages
- Room Temperature Operation
- Customized Wavelength Response
- Customized Test Procedure
- Guaranteed Delivery
- 2 Year Guarantee
- Customized Filters Available



HOW TO ORDER:

Select the proper electrical type FM match it with the proper mechanical and package code number. Example: FM-1-5, FM-5-8. The active areas listed above are considered standard sizes. Special sizes are available upon request. Special window diameters are available upon request.

Electrical Specifications

Electrical Specifications			
Test Conditions at 25° C	FM	—	—
D* (Pk.,1000,1) × 10 ⁹	1.0-3.5	—	—
Wavelength Cut-off Microns	4.5-5.0	—	—
Peak Wavelength Response	3.8-4.0	—	—
Time Constant μ Seconds	1-3	—	—
Resistance Megohms	.1-4	—	—

Mechanical Specifications

Code Number	Active Area		Bias Voltage		Typical VW ⁻¹ Responsivity	Package Size
	Inches	mm	Typical	Maximum		
1	.040	1	50	100	6,000	TO5-TO46
2	.080	2	100	200	3,000	TO5
3	.120	3	150	300	2,000	TO5
4	.200	5	250	500	1,200	TO8
5	.400	10	500	1000	600	TO3

See Page 15 for additional technical information.