

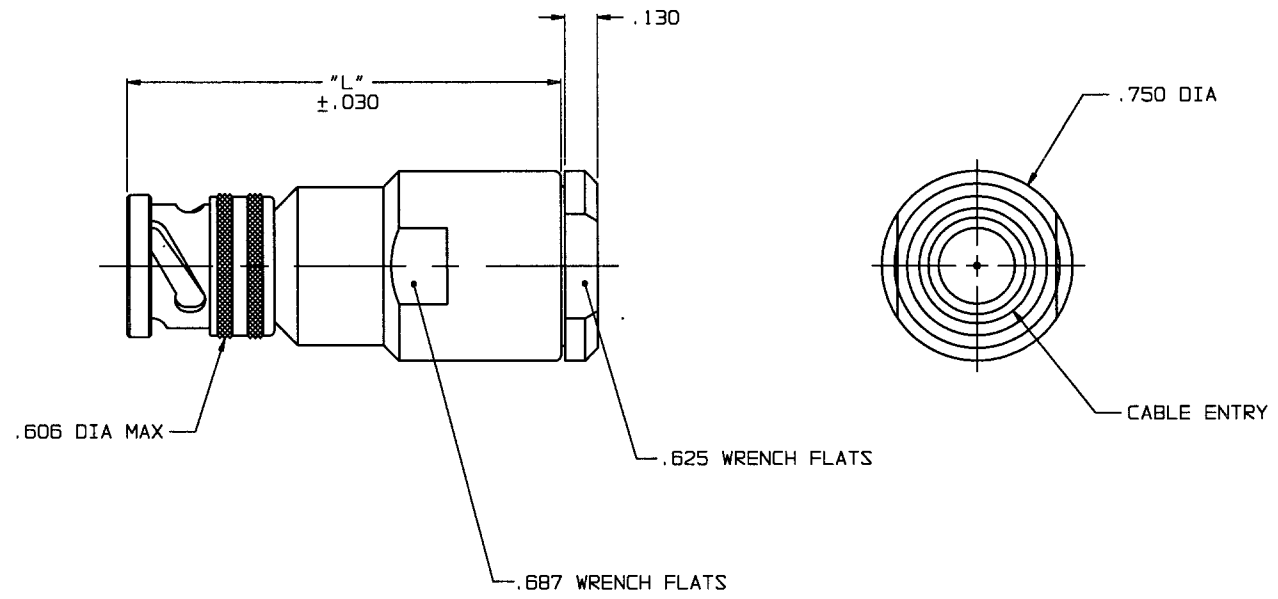
RED INDICATES ORIGINAL

DWG SIZE **B**
 DATA CONTAINED IN THIS DOCUMENT IS PROPRIETARY TO TROMPETER ELECTRONICS, INC. AND SHALL NOT BE DISCLOSED, COPIED OR USED FOR PROCUREMENT OR MANUFACTURE WITHOUT EXPRESS WRITTEN PERMISSION.

REVISIONS			305-0356	SH 1	
REV	ED	DESCRIPTION	OWN	APPROVED	DATE
B	11010	ADDED CHART FOR -2; -1 WAS BASIC; SEE ECO	DKC	<i>Bm; FR</i>	2/14/95

DASH NO	CONN TYPE	"L" DIM
BASIC	PL75	1.716
-2	PL375	1.740

INCH	MM
.005	0.13
.030	0.76
.130	3.30
.606	15.39
.625	15.88
.687	17.45
.750	19.05
1.716	43.59
1.740	44.20



BASIC SHOWN

4. ASSEMBLE PER SHEET 3
3. CONCENTRIC TWINAX/TRIAX TRB/TRT 50 OHM CABLE PLUG FOR BELDEN CABLE NO 9232/9192
2. FINISH: TFS-1A (NICKEL)
1. ALL DIM ARE IN INCHES

QTY	DESCRIPTION		PART NUMBER	ITEM		
TOL UNLESS SPECIFIED		TROMPETER ELECTRONICS, INC.	PL75/PL375-9232/9192			
.XX ±						
.XXX ± .005						
.XXXX ±						
ANGLE ±						
DWN	DKC	1-25-95	MATERIAL	CODE IDENT	DRAWING NO.	REV
CHK	<i>Bm</i>	2-14-95	—	14949	305-0356	B
ENGR	—	—	—	—	—	—
NEXT ASSY	APPR	<i>FR</i> 2/14/95	SCALE 2/1	DATE 8/3/78	SHEET 1 OF 3	