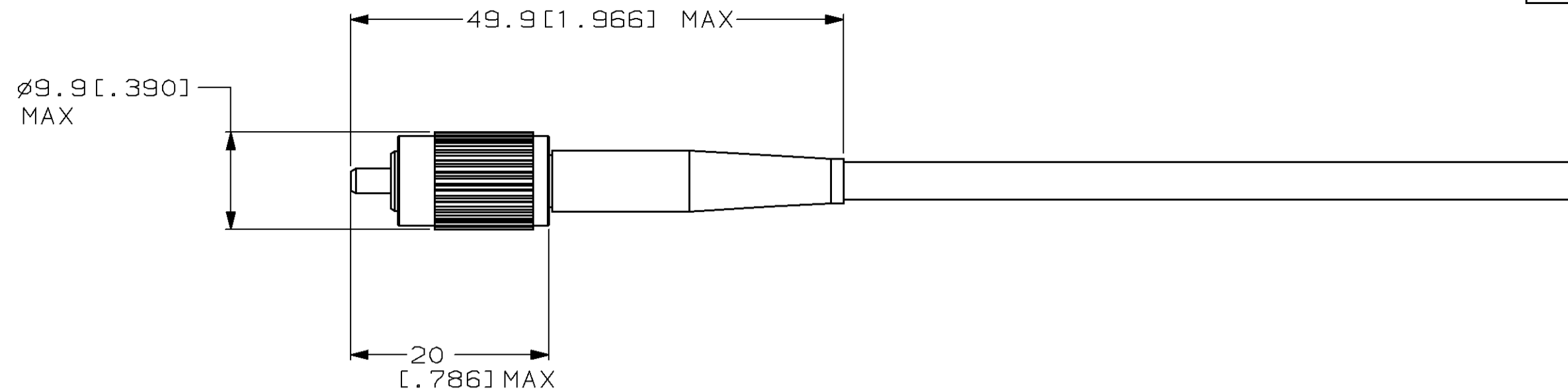


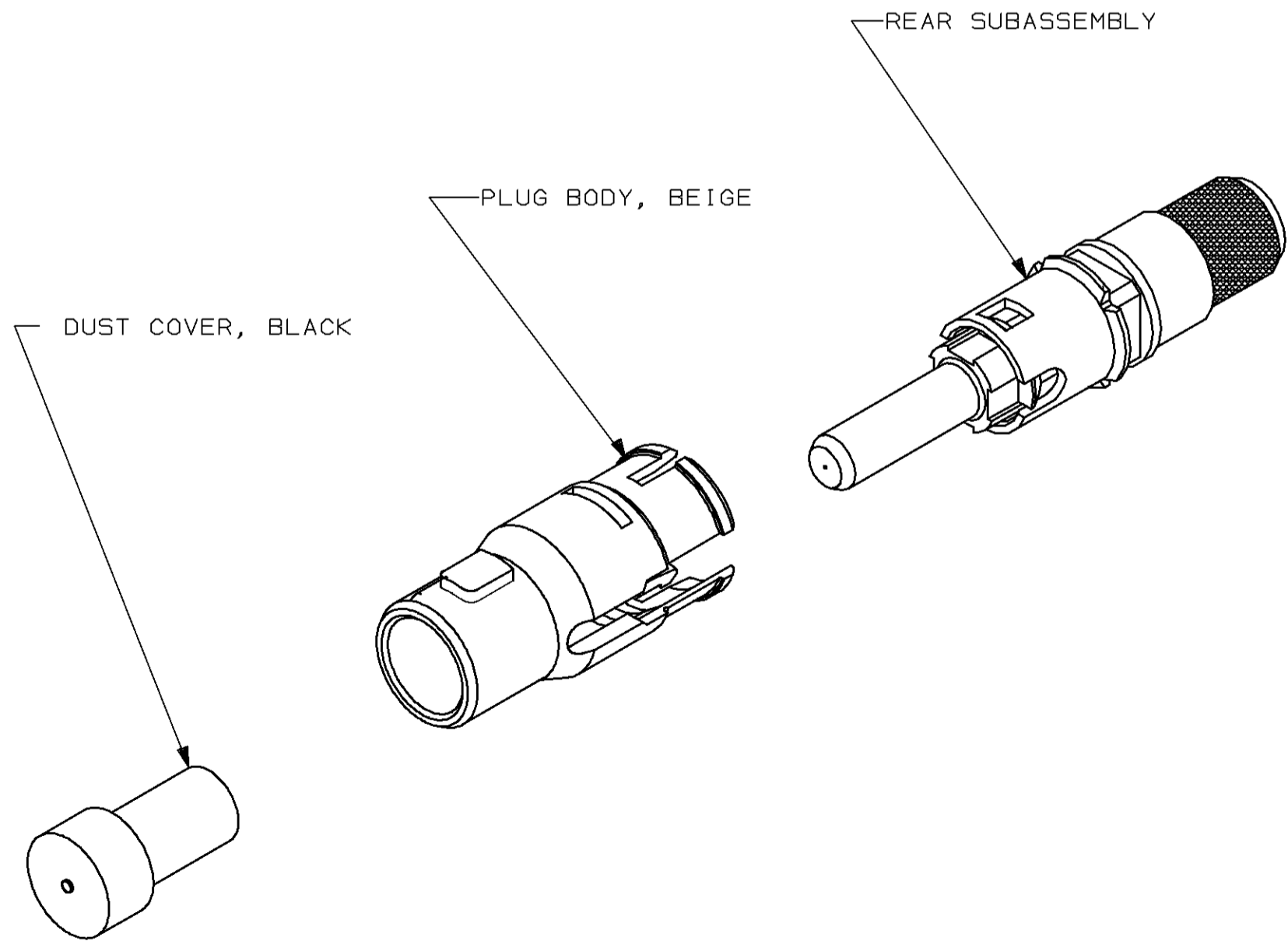
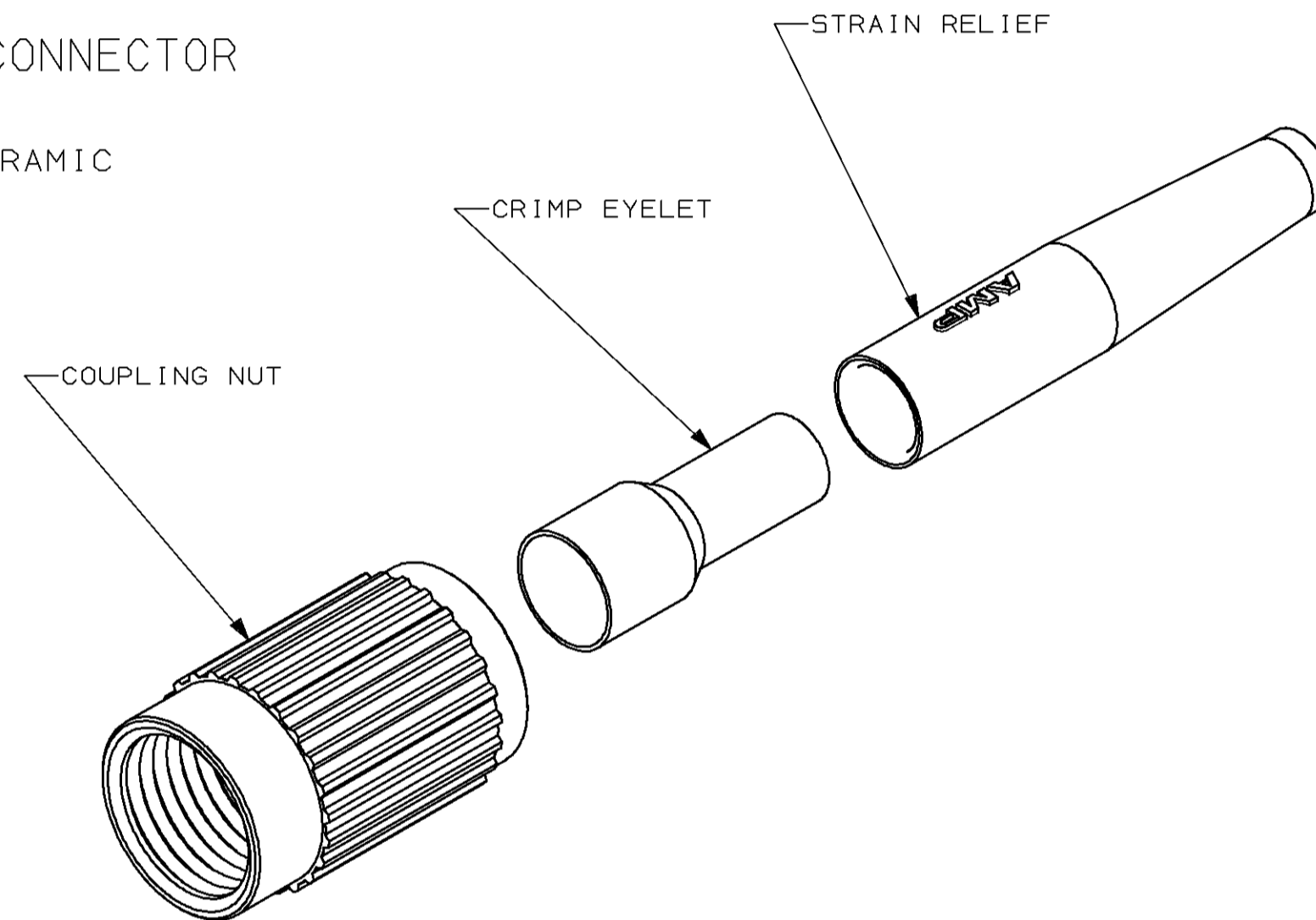
THIS DRAWING IS UNPUBLISHED. RELEASED FOR PUBLICATION
 BY AMP INCORPORATED. ALL RIGHTS RESERVED.

LOC	DIST	REVISIONS			
P	LTR	DESCRIPTION	DATE	DWN	APVD
CE	16	0	RELEASE PER NPR 96-003	3-12-96	BB BP



- 1 MATERIAL:**
 COUPLING NUT: BRASS
 PLUG BODY: THERMOPLASTIC
 REAR SUBASSEMBLY: THERMOPLASTIC, STAINLESS STEEL, CERAMIC
 CRIMP EYELET: COPPER
 STRAIN RELIEF: THERMOPLASTIC ELASTOMER
 DUST CAP: THERMOPLASTIC
- 2 FINISH:**
 COUPLING NUT: ELECTROLESS NICKEL
 CRIMP EYELET: BRIGHT TIN
- 3 BULK PACKAGE, 500 PIECES.**
 4. TO BE USED WITH 2.0mm "LOOSE-JACKETED" CABLE.

ASSEMBLED CONNECTOR



3	BLUE	BLUE	126 ⁺¹ / ₋₀ μm	504917-4
3	BLUE	NATURAL	125 ⁺¹ / ₋₀ μm	504917-3
	BLUE	BLUE	126 ⁺¹ / ₋₀ μm	504917-2
	BLUE	NATURAL	125 ⁺¹ / ₋₀ μm	504917-1
	STRAIN RELIEF COLOR	FERRULE BASE COLOR	FERRULE HOLE SIZE	PART NUMBER

<small>THIS DRAWING IS A CONTROLLED DOCUMENT FOR AMP INCORPORATED. IT IS SUBJECT TO CHANGE AND THE CONTROLLING ENGINEERING ORGANIZATION SHOULD BE CONTACTED FOR THE LATEST REVISION.</small>		DWN B. BRIGGS 3-12-96	AMP AMP Incorporated Harrisburg, PA 17105-3608	
DIMENSIONS: mm (INCHES)		CHK B. PARKER 3-12-96	NAME CONNECTOR KIT, SINGLEMODE, FC, TUNABLE, 2.0mm	
		APVD D. STAKEM 3-12-96	SIZE A2	CAGE CODE 00779
TOLERANCES UNLESS OTHERWISE SPECIFIED: 0 PLC ±- 1 PLC ±- 2 PLC ±- 3 PLC ±- 4 PLC ±- ANGLES ±- FINISH ±-		PRODUCT SPEC -	DRAWING NO C-504917	SCALE NTS
MATERIAL 1		APPLICATION SPEC -	WEIGHT -	SHEET 1 OF 1
		CUSTOMER DRAWING	REV 0	

504917

- [Home](#)
- [Part Number Search](#)
- [Text Search](#)
- [Alternate Part Search](#)
- [Multiple Part Comparison](#)
- [Alphabetical Search](#)
- [Brand Search](#)
- [Industry Product Search](#)
- [Product Type Search](#)
- [Product Family Search](#)
- [Competitor Cross Reference](#)
- [Document Number Search](#)
- [Lead Free Solutions](#)
- [Help/Glossary](#)

Current Brand View

AMP

[View All Tyco Electronics Brands](#)

Click to activate links to all other products

Fiber Optic Products

FC Type and D4 Connectors

AMP

504917-1 -- 6 of 9 products

Active

[Active](#)

(Tyco Electronics P/N: 504917-1)

Previous	Next	Sales Information	AMP ACES	Step Search Screen
			Related Documents	General Information
			Pricing	Product Availability

Please use the customer drawing for all design activity.

- **Customer Drawing: 504917**, Rev. O
Document Title: CONNECTOR KIT, SINGLEMODE, FC, TUNABLE, 2.0mm

[172489.pdf](#) [172489.pdf](#) (47K)

The photographs and/or line drawings below are representative images of a product for viewing purposes only.

[Product Photo](#)

Searchable Features:

Brand:	AMP
Product Type:	Connector
Product Style:	FC
Mode:	Singlemode
Fiber Size (Micron):	125
Panel Attachment:	No
Hole Size:	125 µm

Other Properties:

Boot Type:	Long
-------------------	------

Cable Diameter (mm [in]):	2.00 [.079]
Connector Style:	Multi-piece/Tunable

[Copyright](#) and [Privacy Statement](#)

Visit [Tyco International, Ltd.](#)

[Products](#) | [Brands](#) | [Industries](#) | [Customer Service](#) | [About](#) | [Home](#)