

PIN	CONNECTION
1	Freq adjustment
7	Ground
8	Output
14	Supply

Scale 1:1

Features

- ▶ **Compact 14-pin DIL package (SMD optional)**
- ▶ **12.0V supply voltage**
- ▶ **Sinewave output**
- ▶ **Very fast warmup**
- ▶ **Low power consumption**
- ▶ **Wide temperature range available**

Standard Frequencies

Frequencies in MHz	
10.00000	16.38400
12.80000	19.44000
16.00000	20.00000

Specifications

Parameters	Product	Option Codes
	MCOCXOS	
Frequency range: 10.0 ~ 20.0MHz	■	
Frequency stability: ±0.7ppm max first year ±4ppm max in 10 years ±0.1ppm over $V_{DD} \pm 0.5V$ ±0.01ppm over 10% change in load	■ ■ ■ ■	
Short term stability: 5×10^{-10} , 0.1 to 30s 5×10^{-11} over 1s typ	■ ■	
Temperature stability: ±0.05ppm max, 0 to +60°C ±0.1ppm max, -20 to +70°C ±0.2ppm max, -40 to +85°C	□ □ □	A B C
Operable temperature range: -40 to +85°C	■	
Storage temperature range: -65 to +125°C	■	
Output waveform: Clipped sine, 1 ~ 2V p-p Harmonics < -10dBc Spurii < -70dBc	■ ■ ■	
Test load: 1 kΩ // 5pF (±10%)	■	
Frequency adjustment: Control voltage (pin 1) ±4ppm min, 2.5V ±2.5V Variable resistor (pins 1 to 7) ±4ppm min, 0 ~ 10kΩ	□ □	V5 R1
Supply voltage (V_{DD}): +12.0V (±0.5V)	■	
Input current: 25mA max @ +30°C 40mA max @ -20°C	■ ■	
Warm up: within spec after 30s @ 0°C current 250mA max during 10s	■ ■	
Phase noise (typ @ 10MHz): -100dBc/Hz @ 10Hz -130dBc/Hz @ 100Hz -140dBc/Hz @ 1kHz -145dBc/Hz @ 10kHz	■ ■ ■ ■	
Shock & vibration: 2,000G, 0.3ms ½-sine 10.0 ~ 2,000Hz, 10G	■ ■	
Package: Through hole 14 pin DIL 25x22mm SMD carrier PCB Formed leads SMD	■ □ □	D1 D2

■ Standard. □ Optional - Please specify required code(s) when ordering

Ordering Information

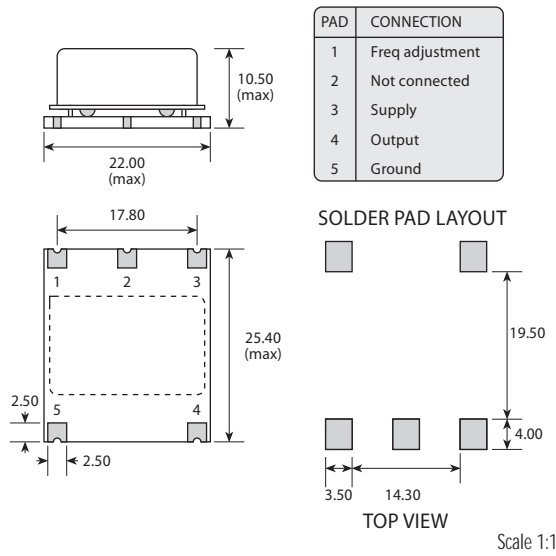
Product name + option codes + frequency

eg: **MCOCXOS-AR1 12.80MHz**

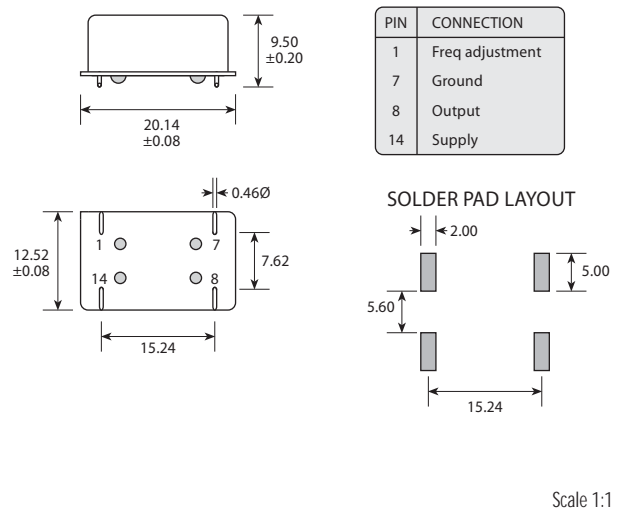
MCOCXOS-BV5 19.44MHz

Option code X (eg MCOCXOS/X) denotes a custom spec.

Option D1



Option D2



Soldering Profile

