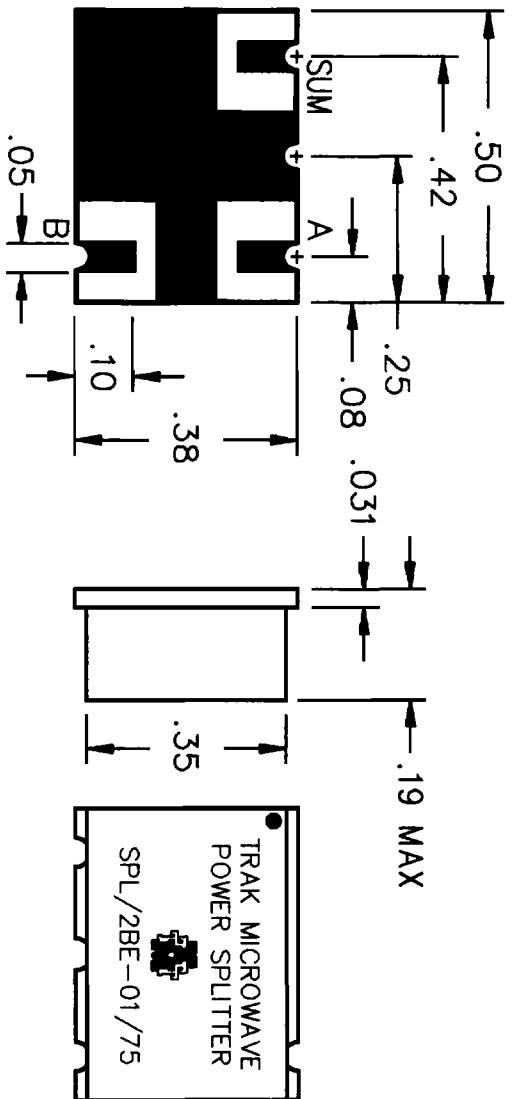
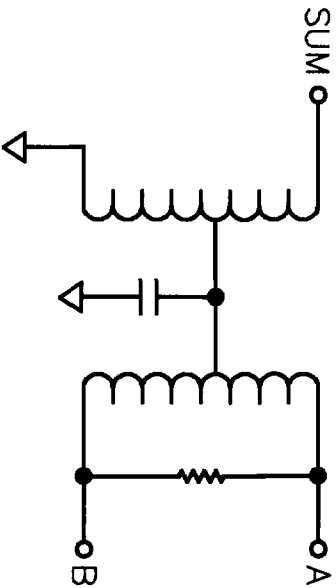


POWER SPLITTER



SPECIFICATIONS:

- FREQUENCY : 4-1000 MHz
- LOSS : 0.6 dB TYP, 1.25 dB MAX
- VSWR : 1.3:1 MAX
- AMP BALANCE : ± 0.1 dB TYP, ± 0.2 dB MAX
- PHASE BALANCE : $\pm 1^\circ$ TYP, $\pm 2^\circ$ MAX
- ISOLATION : 25 dB TYP, 17 dB MIN
- POWER : 1 WATT NOMINAL
- IMPEDANCE : 75 OHMS NOMINAL



SCHEMATIC DIAGRAM

- STANDARD
- SPECIAL

MATERIAL

- BASE : FR-4
- COVER : VECTRA
- MARKING : LASER
- FINISH : SOLDER TIN



TRAK MICROWAVE

4726 Eisenhower Boulevard
Tampa, Florida 33634
(813)884-1411, FAX (813)886-2794

MODEL NO. SPL/2BE-01/75 SHT 1 OF 1 DATE 5/94