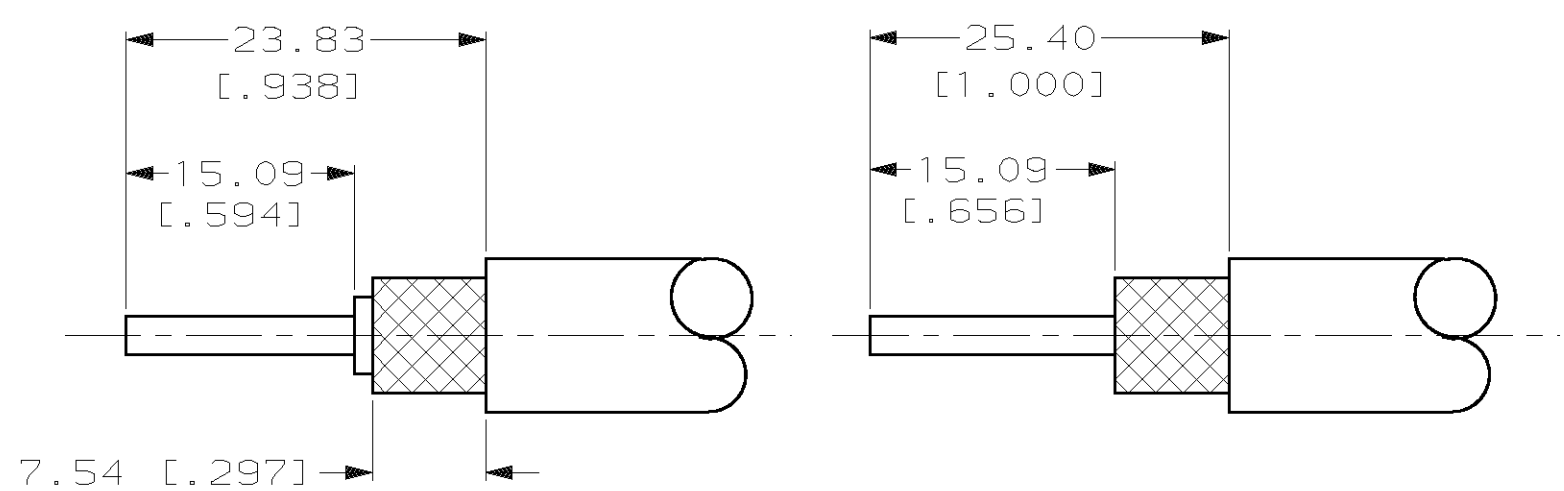
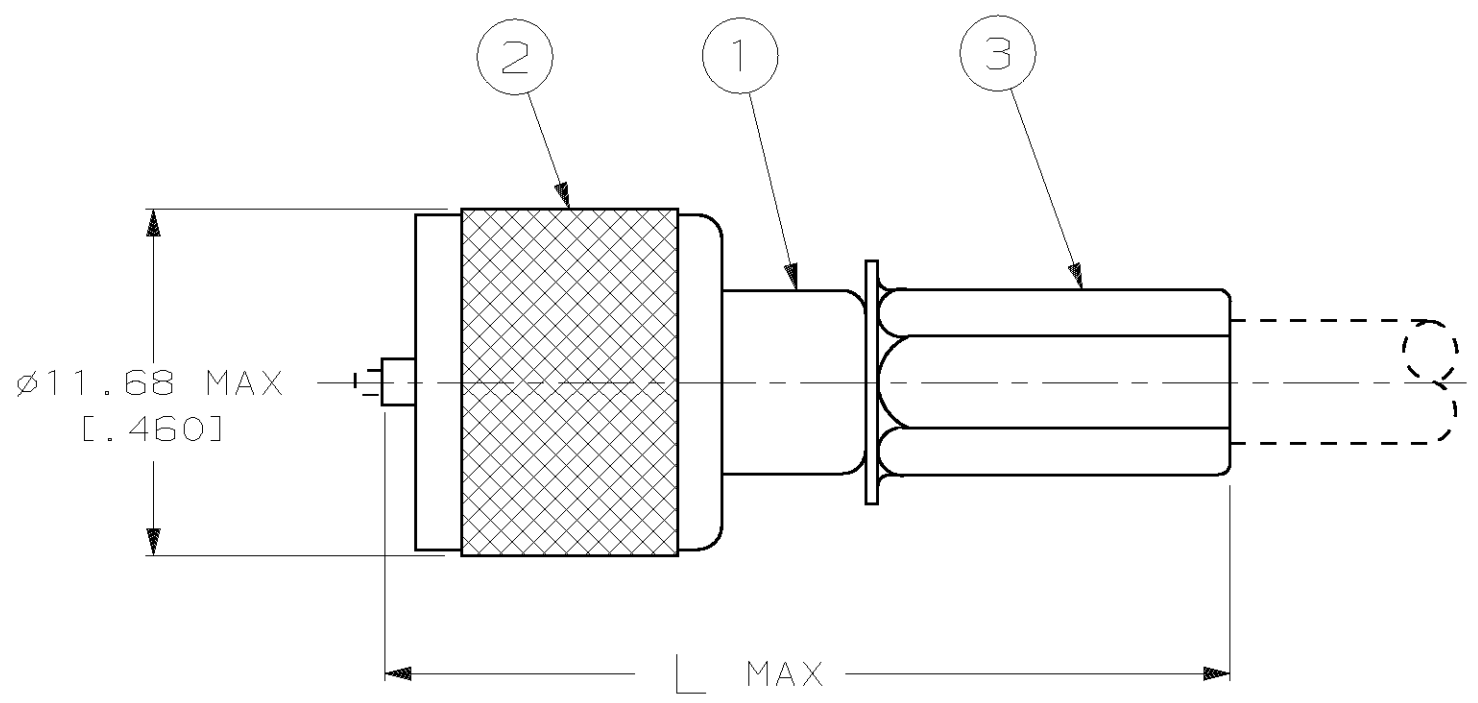


THIS DRAWING IS UNPUBLISHED. RELEASED FOR PUBLICATION
 © COPYRIGHT 19 BY AMP INCORPORATED. ALL INTERNATIONAL RIGHTS RESERVED.

LOC	DIST	P	F	REVISIONS			DATE	APPD
AJ	16			ZONE	LTR	DESCRIPTION		
					L	OBS -12 PER OE10-0122-99	13JAN00	MO



DETAIL A DETAIL B
 RECOMMENDED STRIP LENGTH

- ① RG-59/U, RG-62/U, RG-124, RG-140, RG-210 AND BELDEN 9291, 9209 & 9268
- ② SEE SEPARATE RESTRICTED CUSTOMER DRAWING
- ③ RG-58/U, RG-58A/U, RG-58B/U, AND RG-58C/U
- ④ USE CRIMPING TOOL: 220149-1
- ⑤ USE AMP-O-ELECTRIC MACHINE 220152-1 WITH DIE 220166-1
- ⑥ SPECIAL PACKAGING: INDIVIDUALLY PACKAGED IN PREPRINTED BAGS WITH SPECIAL GRAPHIC
- ⑦ SEE INSTRUCTION SHEET I.S.2578
- ⑧ SEE INSTRUCTION SHEET I.S.2660
- ⑨ BULK PACKED

OBSOLETE	⑦ ⑨	28.96 [1.140]	A	④	③	226599-7	226598-4	226603-4	1-226600-2
	②	-	-	-	-	-	-	-	1-226600-1
	②	-	-	-	-	-	-	-	1-226600-0
	⑥ ⑦	28.96 [1.140]	A	④	③	226599-7	226598-4	226603-4	226600-9
	⑦	28.96 [1.140]	A	④	③	226599-6	226598-3	226603-2	226600-8
	-	-	-	-	-	-	-	-	-
	⑥ ⑦	28.96 [1.140]	A	④	③	226599-2	226598-2	226603-1	226600-6
	②	-	-	-	-	-	-	-	226600-5
	-	-	-	-	-	-	-	-	-
	-	-	-	-	-	-	-	-	-
OBSOLETE	⑧	30.94 [1.218]	B	⑤	①	226708-2	226598-2	226707-1	226600-2
	⑦ ⑨	28.96 [1.140]	A	④	③	226599-2	226598-2	226603-1	226600-1
REMARKS	L	STRIPPING SEE DETAIL	CRIMPING TOOL	FOR USE WITH CABLE	③ FERRULE QTY=1	② COLLAR QTY=1	① PLUG ASSY QTY=1	PART NO	

DO NOT SCALE PRINT. UNLESS SPECIFIED DIMENSIONS IN mm [INCHES] TOLERANCES ON : 2 PLC DEC ± - 3 PLC DEC ± 0.41 [0.016] ANGLES ± -		DR 6-14-91 M. SNEED CHK 6-14-91 R. HENRY APPD 6-14-91 R. HENRY APPD 6-14-91 M. SNEED		AMP Incorporated Harrisburg, PA 17105-3608	
MATERIAL	-	PRODUCT SPEC	-	NAME PLUG, MINIATURE UHF	
FINISH	-	APPLICATION SPEC	-	SIZE	CAGE CODE
				③	00779
				SCALE	DRAWING NO
				4:1	226600
					SHEET
					1 OF 1