



NOTES: UNLESS OTHERWISE SPECIFIED

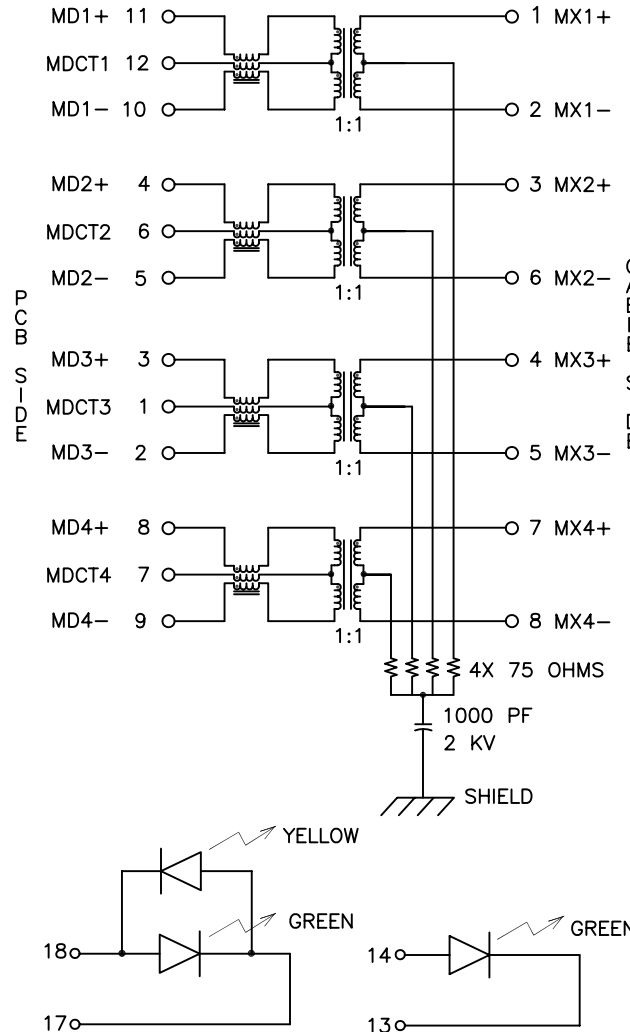
- THIS COMPONENT CONFORMS TO UL60950, UL FILE NO. IS: E216117.

	<b>WARNING:</b> THIS COMPONENT IS RECOGNIZED BY ONE OR MORE SAFETY AGENCIES SUCH AS UL, VDE, CSA AND/OR TUV. ALL ENGINEERING CHANGES MUST HAVE PRIOR APPROVAL BY THE DESIGN CENTER PRODUCT SAFETY DEPARTMENT FOR SAFETY AGENCY COMPLIANCE.	ECN APPROVAL:
		QA APPROVAL:
		DATE:

- 

	<b>NOTICE:</b> THIS IS A RoHS COMPLIANT COMPONENT/PRODUCT. ALL ENGINEERING CHANGES MUST HAVE PRIOR APPROVAL BY THE DESIGN CENTER.

- PLASTIC HOUSING: THERMOPLASTIC MATERIAL WITH FLAMMABILITY RATING UL 94V-0 OR BETTER.
- CONTACT BASE MATERIAL: PHOSPHOR BRONZE.
- CONTACTS UNDERPLATE: 30-50 MICROINCHES DUCTILE NICKEL.
- CONTACTS PLATING: 50 MICROINCHES GOLD PLATING.
- SOLDER TAIL PLATING MATERIAL: 200-500 MICROINCHES 100% TIN, MATTE FINISH.
- METAL SHIELD: NICKEL PLATING ON COPPER ALLOY.
- JACK CAVITY CONFORMS TO FCC RULES AND REGULATIONS PART 68 SUBPART F.
- PCB PLATING: EG
- SOLDERABILITY: CONFORMS TO ANSI/J-STD-002, IPC/EIA J-STD-003A.
- OPERATING TEMPERATURE: -40°C TO +85°C
- STORAGE TEMPERATURE: -50°C TO +125°C
- JEDEC MOISTURE: LEVEL 1.
- DIMENSIONS ARE IN INCHES [MILLIMETERS] WITH THE FOLLOWING TOLERANCES: [MILLIMETERS] ARE FOR REFERENCE ONLY.  
.XX = ±0.02 [±0.5]  
.XXX = ±0.010 [±0.25]



SCHEMATIC

ELECTRICAL CHARACTERISTICS AT +25°C UNLESS OTHERWISE SPECIFIED (FOR REFERENCE ONLY. USED FOR CUSTOMER INFORMATION.)

PARAMETER	SPECIFICATIONS	
OPERATING TEMP	-40°C ~ +85°C	
TURNS RATIO	1 : 1 ± 2%	
POLARITY	PER SCHEMATCH	
INSERTION LOSS	100 KHz	1-125 MHz
	-1.2 dB MAX	-0.2-0.002*f <sup>1.4</sup> dB MAX
RETURN LOSS (Z OUT = 100 OHM ±15%)	.1-40 MHz	40-100 MHz
	-16 dB MIN	-10+20*LOG <sub>10</sub> (f/80 MHz) dB MIN
INDUCTANCE (OCL) (MEDIA SIDE, -40°C~85°C)	350 uH MIN (MEASURED AT 100 KHz, 100 mVRMS) (AND WITH 8 mA DC BIAS)	
	1 MHz	10-100 MHz
CROSSTALK, ADJACENT CHANNELS	-50 dB MIN	-55+22*LOG <sub>10</sub> (f/10) dB MIN
	2 MHz	30-200 MHz
COMMON MODE REJECTION RATIO	-50 dB MIN	-15+20*LOG <sub>10</sub> (f/200) dB MIN
INPUT - OUTPUT ISOLATION	2250 VDC MINIMUM FOR 60 SECONDS	

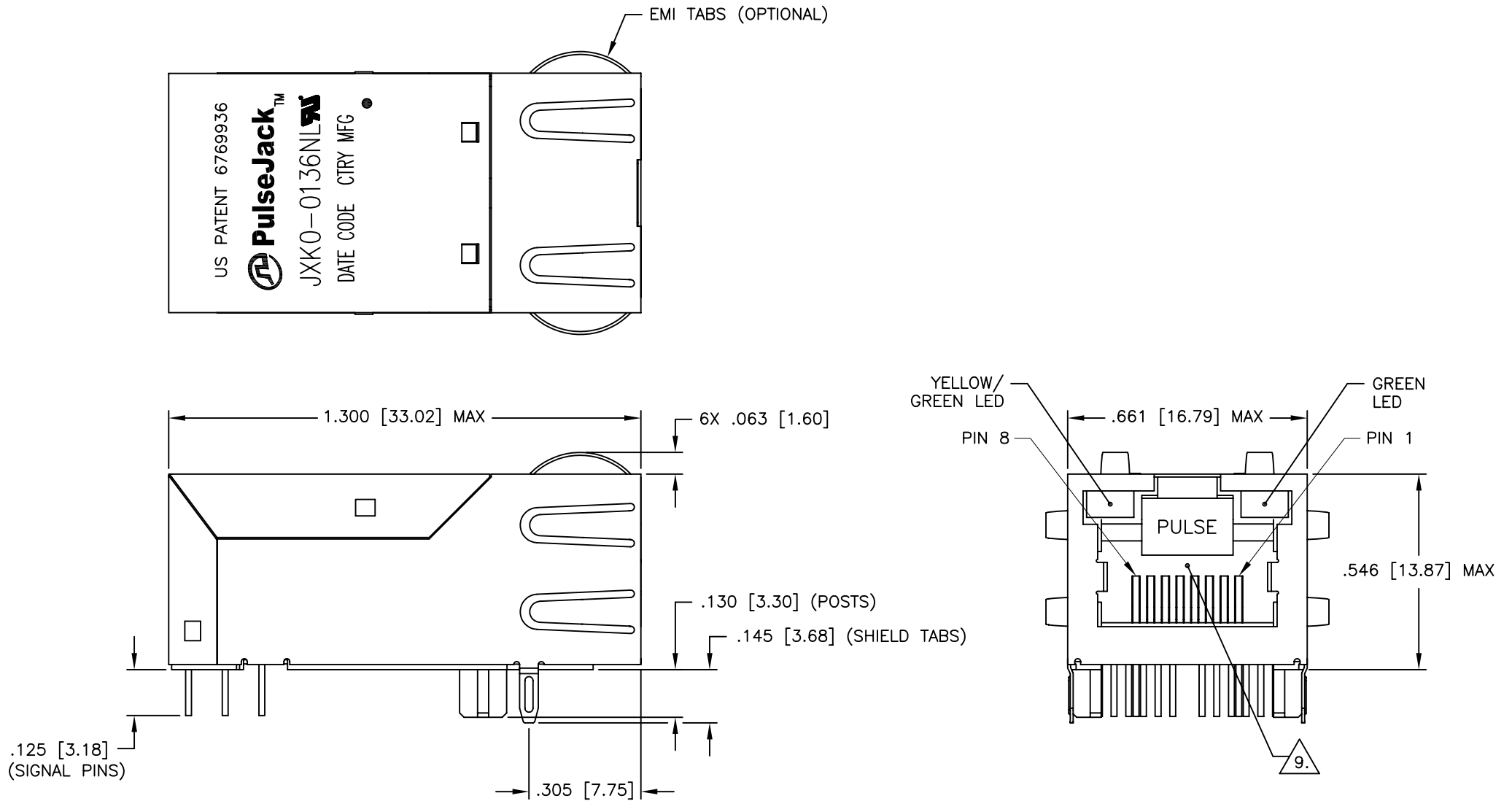
NOTE: f IS FREQUENCY IN MHZ.

EMMITTED COLOR	GREEN	YELLOW
WAVELENGTH (nm)	568 nm	585 nm
BRIGHTNESS (mCD)	8.5 TYP. @ 20 mA	6.0 TYP. @ 20 mA
VIEWING ANGLE	85° - 100°	85° - 100°
POWER DISSIPATION (Pd)	100 mA MAX	100 mA MAX
DC FORWARD CURRENT	150 mA MAX	150 mA MAX
REVERSE VOLTAGE (Vr)	2.2 TO 2.6 VOLTS	2.1 TO 2.6 VOLTS

NOTE: PER VENDOR'S SPECIFICATIONS

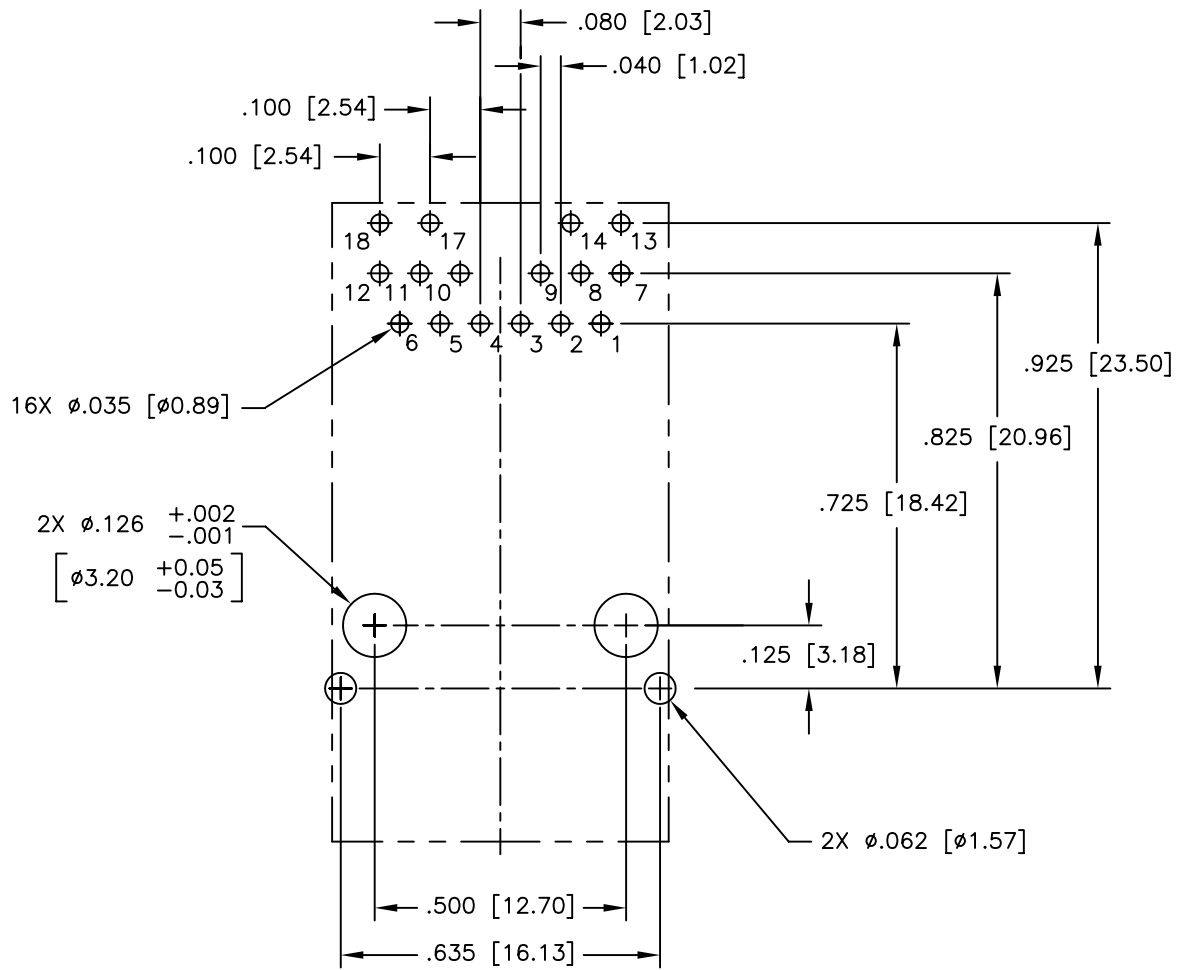
© Copyright, 2012. Pulse Electronics Corp. All rights reserved. Drawing specifications subject to change without notice. (04/26/12)

PULSE CONFIDENTIAL & PROPRIETARY	PRODUCT DESCRIPTION	PS DRAWING	SHEET:	DWG. NO./ PART NO.	REV.
	CONN,RJ45,1X1,1GD,1:1,TY	PS-2390.004-A	1	JXK0-0136NL	M11

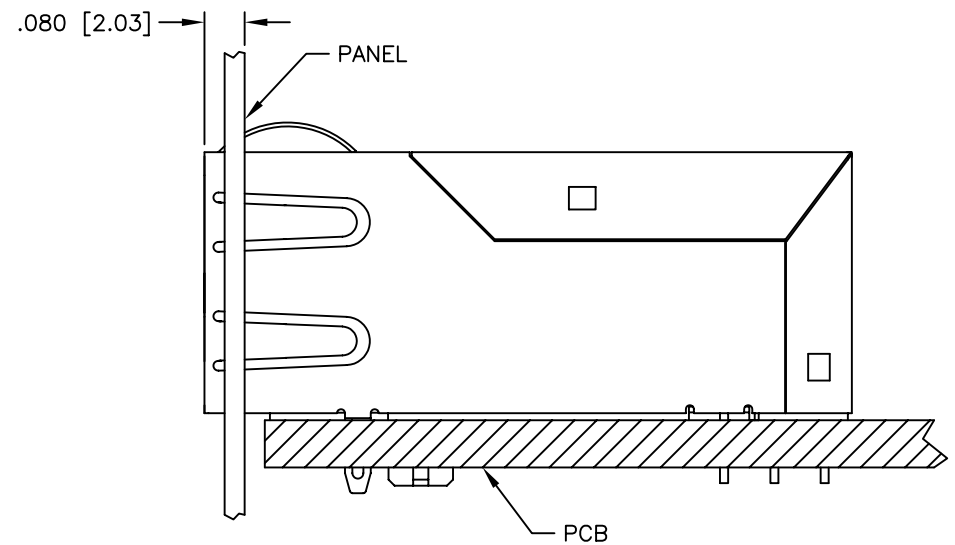
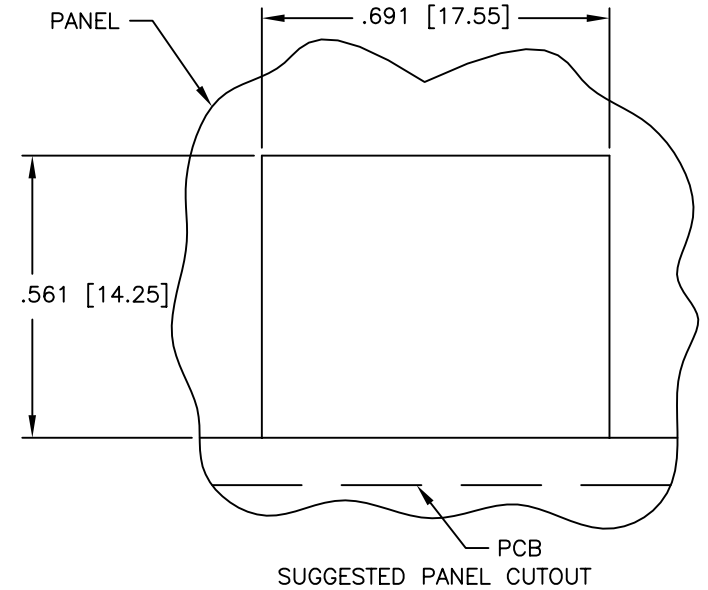


© Copyright, 2012. Pulse Electronics Corp. All rights reserved. Drawing specifications subject to change without notice. (04/26/12)

PULSE CONFIDENTIAL & PROPRIETARY	PRODUCT DESCRIPTION	PS DRAWING	SHEET:	DWG. NO./ PART NO.	REV.
		CONN,RJ45,1X1,1GD,1:1,TY	PS-2390.004-A	2	JXK0-0136NL



FRONT OF CONNECTOR  
SUGGESTED PCB LAYOUT  
(COMPONENT SIDE SHOWN)  
DIMENSIONAL TOLERANCE:  
.XXX  $\pm 0.003$  [X.XX  $\pm 0.08$ ]



© Copyright, 2012. Pulse Electronics Corp. All rights reserved. Drawing specifications subject to change without notice. (04/26/12)

PULSE CONFIDENTIAL & PROPRIETARY	PRODUCT DESCRIPTION	PS DRAWING	SHEET:	DWG. NO./ PART NO.	REV.
		CONN,RJ45,1X1,1GD,1:1,TY	PS-2390.004-A	3	JXK0-0136NL

# Mouser Electronics

Authorized Distributor

Click to View Pricing, Inventory, Delivery & Lifecycle Information:

Pulse:

[JXK0-0136NL](#)