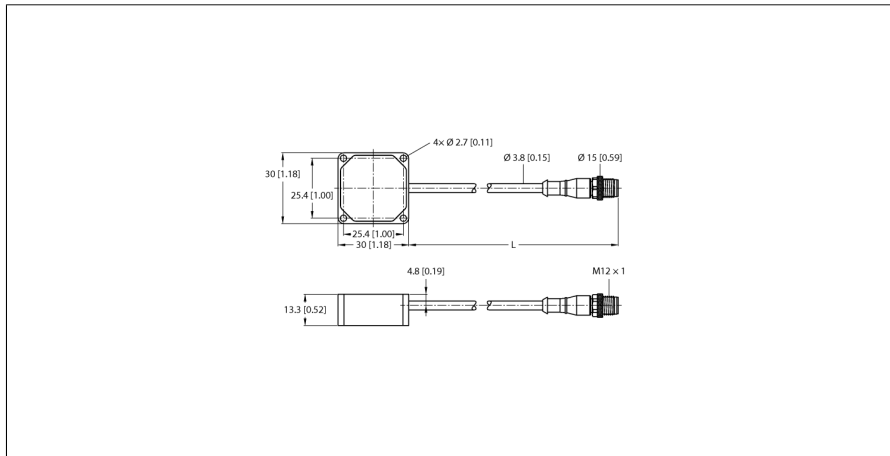


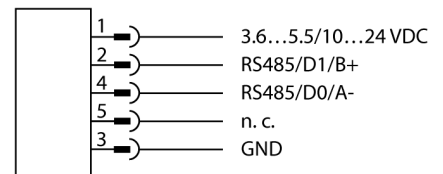
**Vibration & Temperature Sensor
With Serial Interface
Modbus RTU
QM30VT2**



- For detecting temperature and vibration values
- Robust aluminum housing
- Protection class IP67
- PVC cable, 2.09 m, with M12 × 1 male connector, 5-pin
- Shock resistant up to 400 g
- BWA-BK-022 mounting plate kit included in delivery
- Temperature measuring range: -40... 105 °C
- Resolution: 1 °C
- Accuracy: ± 3 °C
- Vibration measuring range: 0...46 mm/s RMS
- Frequency range: 10...4000 Hz
- Accuracy: ± 10 % at 25 °C
- Operating voltage: 10...24 VDC or 3.6... 5.5 VDC
- RS485 interface, supports Modbus RTU

Type designation	QM30VT2
Ident no.	3806276
Wireless data	
Function	Vibration sensor
Device type	Sensor
Design	
Housing material	Aluminium, AL, Black-finished
Ambient temperature	-40...+105 °C
Protection class	IP67
Dimensions	30 x 13.25 x 30 mm
Operating voltage	10... ≤ 24 VDC
Tests/approvals	

Wiring Diagram



Functional principle

This sturdy sensor in a metal housing was developed to monitor vibrations and the temperature of moving machine parts. The data can be transferred to a controller via the RS485 interface, thus enabling an imminent failure of the machine to be identified at an early stage and corrective action to be taken. The rugged housing is IP67-rated and allows the detection of vibrations on two axes. The sensor can be mounted or stuck on the machine with the relevant accessories.

**Vibration & Temperature Sensor
With Serial Interface
Modbus RTU
QM30VT2**

Accessories

Type code	Ident no.		Dimension drawing
BWA-BK-022	3810633	Mounting plate kit for QM30VT sensors, aluminum, screw set and self-adhesive foil included	

Function accessories

Type code	Ident no.		Dimension drawing
BWA-HW-006	3081325	Converter cable, RS485 to USB 2.0 converter, female, M12 × 1, 5-pin, male, USB type A, length 1 m; supplies the connected device with 10 V. An external power supply via a Y-splitter is recommended for the connected device	