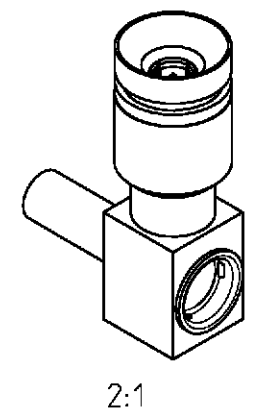
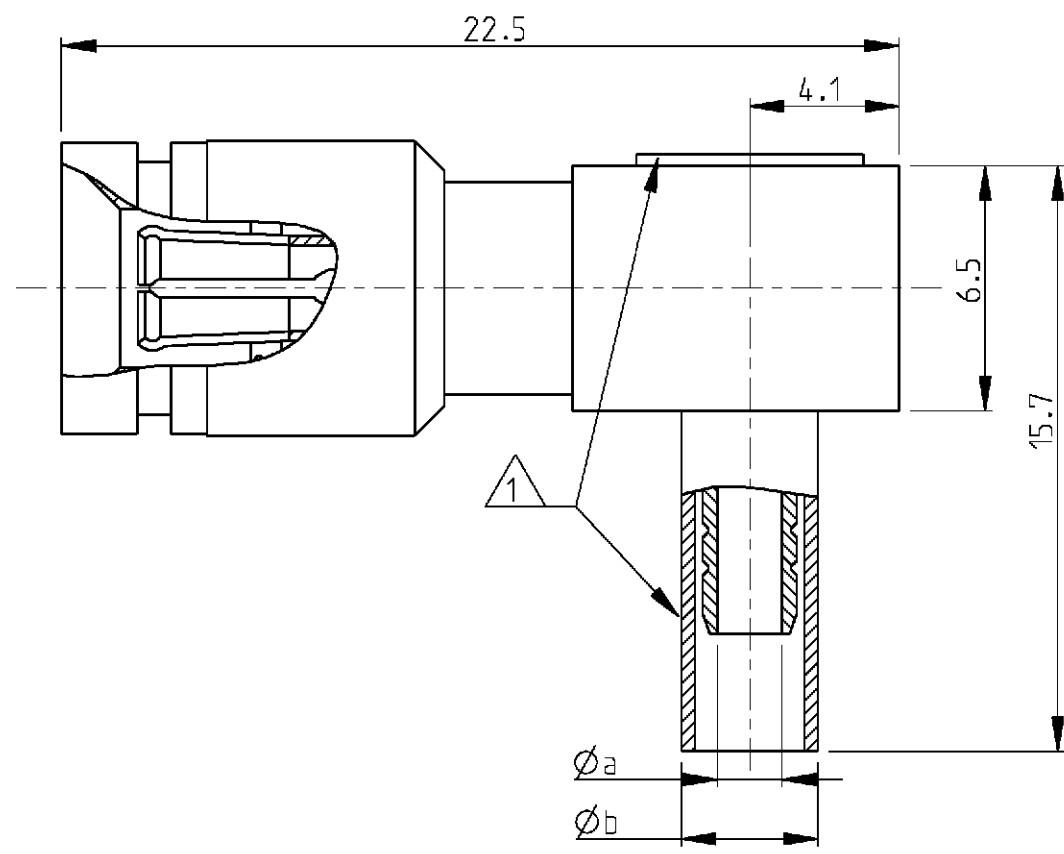


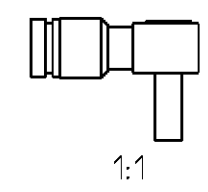
THIS DRAWING IS UNPUBLISHED. RELEASED FOR PUBLICATION 2000
 © COPYRIGHT 2000 BY TYCO ELECTRONICS CORPORATION. ALL RIGHTS RESERVED.

LOC	DIST	REVISIONS				
P	LTR	DESCRIPTION	DATE	DWN	APVD	
GW	-	A	-	05APR2001	CM	KM



2. Mating face according to DIN 47297 and CECC 22230
 1 Supplied as loose part

Old Nr	Tyco Nr	Cable type	Dim a	Dim b	Description	Material	Plating
	V23614-B263-P76	9-1393670-2	02Y(ST)CY 0.45/2.0	2.15	5.2	Dielectric Outer Con. Center Con.	PTFE Cu Be Brass 1µm Au min in contact area 1µm Au min in contact area
	V23614-B202-P25	9-1393670-1	ST 214	3.8	7.93	Dielectric Outer Con. Center Con.	PTFE Cu Be Brass 1µm Au min in contact area 1µm Au min in contact area
	V23614-A263-P76	7-1393670-0	02Y(ST)CY 0.45/2.0	2.15	5.2	Dielectric Outer Con. Center Con.	PTFE Cu Be Brass 1µm Au min in contact area 1µm Au min in contact area
	V23614-A263-P34A	5-1419149-0	Pirelli s353/164	2.35	6.4	Dielectric Outer Con. Center Con.	PTFE Cu Be Brass 1µm Au min in contact area 1µm Au min in contact area
	V23600-A263-P71	2-1393670-6	RG179 B/U RG316/U	1.7	3.6	Dielectric Outer Con. Center Con.	PTFE Cu Be Brass 1µm Au min in contact area 1µm Au min in contact area



<small>THIS DRAWING IS A CONTROLLED DOCUMENT FOR TYCO ELECTRONICS CORPORATION IT IS SUBJECT TO CHANGE AND THE CONTROLLING ENGINEERING ORGANIZATION SHOULD BE CONTACTED FOR THE LATEST REVISION.</small>		DWN MOROBE 2APR2001 CHK MATTHEEUWS 3APR2001 APVD BOZZER 5APR2001		tyco Electronics Tyco Electronics Oostkamp - Belgium	
DIMENSIONS: 		TOLERANCES UNLESS OTHERWISE SPECIFIED: 0 PLC ± 1 PLC ±0.5 2 PLC ±0.13 3 PLC ±0.013 4 PLC ±0.0001 ANGLES ±		NAME CABLE ANGLE PLUG 1.0/2.3 50/75 Ohm	
MATERIAL -		FINISH -		PRODUCT SPEC 108-71032 APPLICATION SPEC 114-71010 WEIGHT -	
		SIZE A3 CAGE CODE 00779 DRAWING NO C-2-1393670-6		RESTRICTED TO -	
		SCALE 10/1 SHEET 1 OF 1		REV A	