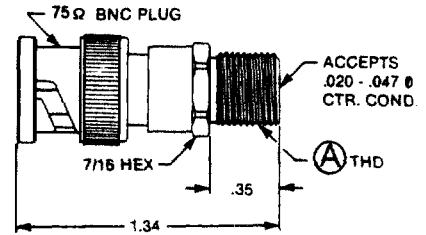


BETWEEN SERIES ADAPTERS

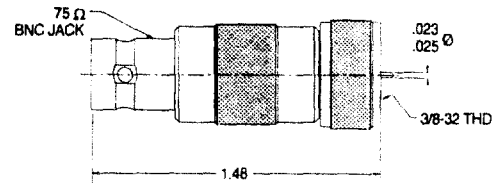
G-BNCF-MF

- Adapts 75Ω F female to 75Ω BNC plug
- Phosphor bronze contact
- Bright alloy finish



G-BNCF-FM

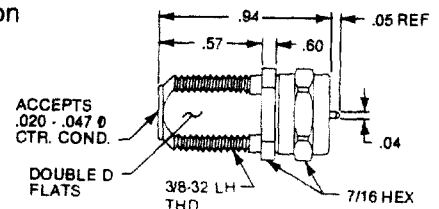
- Adapts 75Ω F male to 75Ω BNC jack
- All brass construction
- Bright alloy finish



NS-3274-1 TYPE

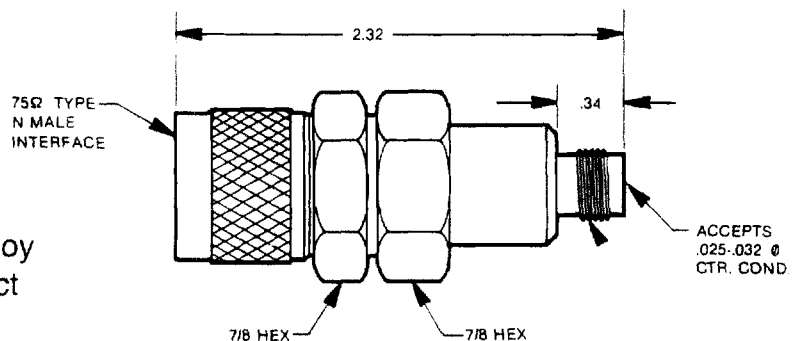
Part Number	Body Thread	Nut Thread	Body Finish
NS-3274-1	LH	RH	Chromate Conversion
NS-3274-7	RH	1/2-28 RH	Tin
NS-6020-1	RH	RH	Tin

- Adapts RH thread port to LH thread
- Used to polarize tap ports for use in a dual cable LAN system
- Brass body
- Beryllium copper flat spring socket—brass tail
- Bright acid tin plating on contact and nut



GTC-BAFF-N

- Precision laboratory grade 75Ω type N plug to 75Ω female type F
- Brass body with chromate conversion coating
- Type N interface has bright alloy plated center and outer contact



GILBERT ENGINEERING CO., INC.

POST OFFICE BOX 23189
PHOENIX, AZ 85063-3189 USA

5310 W. CAMELBACK ROAD
GLENDALE, AZ 85301-7597 USA

TEL: 602-245-1050
TEL: 800-528-5567

FAX: 602-931-0684
FAX: 800-344-6358