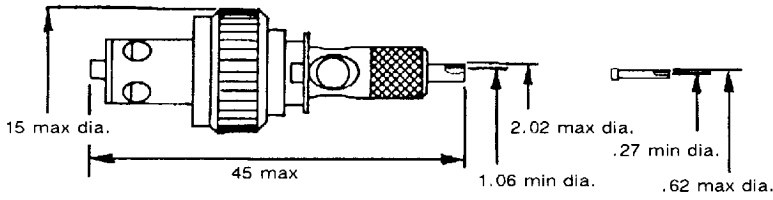


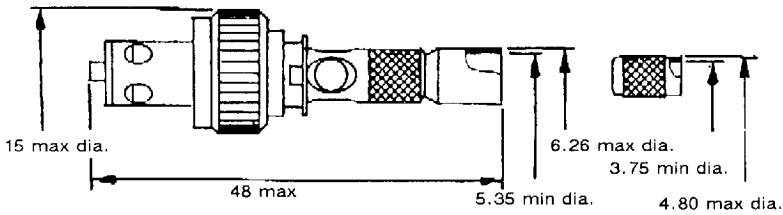
CONNECTORS

straight or slant polishing

Note - Crimping : see page 43 for crimp tools and hexagons to be used

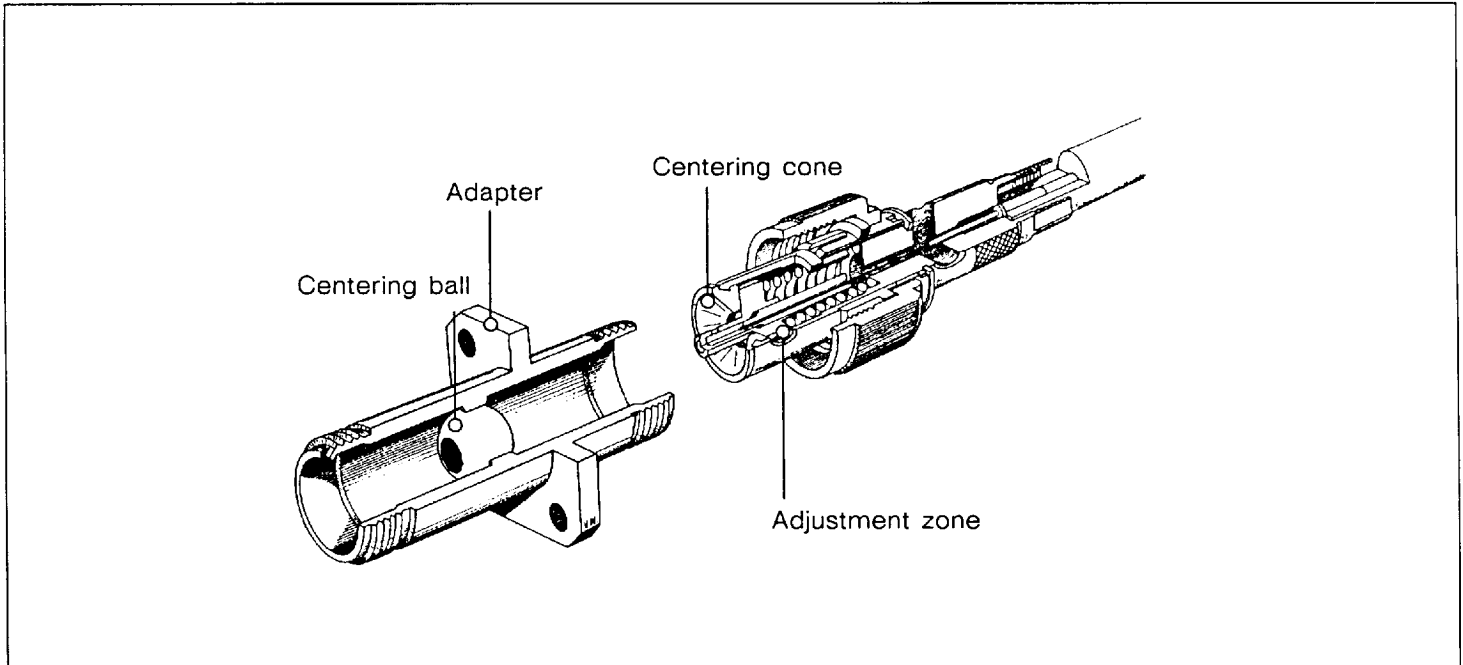


cable dia in/out (mm)	coating dia max (microns)	Part Numbers
.6/1	AT&T 75x145	F 717 022 000



cable dia in/out (mm)	coating dia max (microns)	Part Numbers
/3.5	128	F 717 024 000

Cutaway view of a MP connector and adapter



CRIMPING

Crimp tool and hexagon to be used for each **VFO** connector.

Part Number	Crimp tool	Hexagon
F 716 001 000	Bonding only	/
F 716 002 000	R 282 211	3.25
F 716 003 000	R 282 223	5.41
F 716 004 000	R 282 211	4.52
F 716 005 000	Bonding only	/
F 716 006 000	R 282 211	3.25
F 716 007 000	R 282 211	2.66
F 716 009 000	R 282 223	1.73
F 716 010 000	R 282 223	1.73
F 716 012 000	R 282 223	1.73
F 716 013 000	R 282 211	3.25
F 716 014 000	R 282 223	5.41
F 716 016 000	R 282 223	5.41
F 716 017 000	R 282 211	2.66
F 716 021 000	R 282 223	5.41
F 716 023 000	R 282 211	2.66
F 716 025 000	R 282 211	3.25
F 716 026 000	R 282 223	1.73
F 716 027 000	R 282 211	3.25
F 716 030 000	R 282 211	3.25
F F16 032 000	R 282 211	2.66

Crimp tool and hexagon to be used for each **MP** connector.

Part Number	Crimp tool	Hexagon
F 717 001 000	R 282 211	2.66
F 717 015 000	R 282 223	1.73
F 717 018 000	R 282 211	4.52
F 717 019 000	R 282 211	4.52
F 717 020 000	R 282 211	3.25
F 717 022 000	R 282 223	1.73
F 717 024 000	R 282 223	5.41