

233-370 Jam nut or square flange feed through receptacle MIL-DTL-38999 Series III type

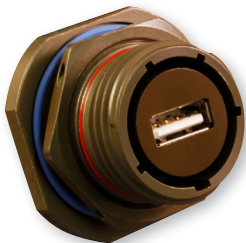
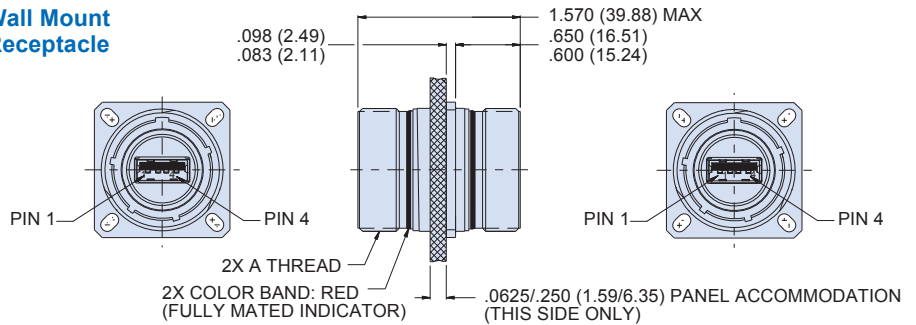
How To Order 233-370										
Sample Part Number	233-370	NF	00	-17	2	A	A	N	H	T
Series / Basic Part No.	SuperSeal® USB 2.0 Connector									
Finish	NF = Cadmium Olive Drab ME = Electroless Nickel MT = Nickel PTFE									
Connector Style	00 = Square Flange Receptacle with Slotted Holes D0 = Square Flange Receptacle with Round Holes 07 = Jam Nut Receptacle									
Shell Size	17									
USB Performance	2 = USB Performance 2.0									
USB Front Interface	A = USB Type A Interface									
USB Back Interface	A = USB Type A Interface									
Alternate Key Position	A, B, C, D, E, N = Normal; Per MIL-DTL-38999									
USB Orientation	H = Horizontal V = Vertical									
Shrink Boot	T = Shrink Boot Part No. 770-028 (Omit for None)									

For panel cut-out dimensions, electrical specifications and RJ45 Orientation Options see page E-3



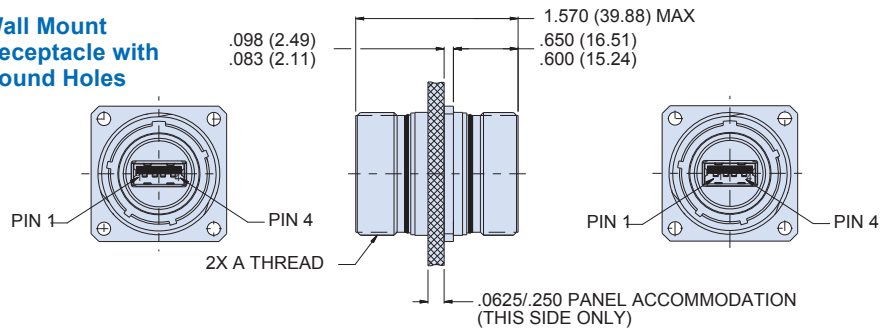
Square Flange Receptacle
Front View

Wall Mount
Receptacle



Jam Nut Receptacle
Front View

Wall Mount
Receptacle with
Round Holes



NOTES

1. All external dimensions, features, etc. compliant with D38999/20, /24 & /26.
2. Consult factory for additional information.
3. For wiring guides, PCB layout, USB orientation and recommended mounting holes for wall mount receptacles see page E-11

Jam Nut
Receptacles

