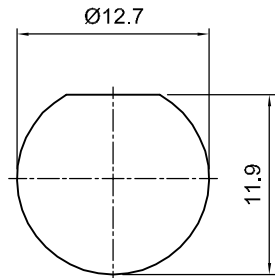
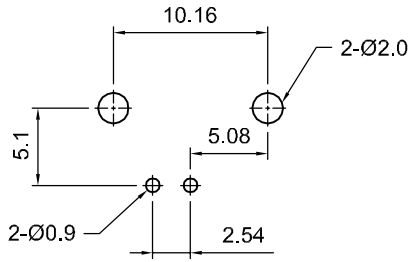


Tolerances
 1-20=+/-0.2
 20-30=+/-0.3
 30-40=+/-0.4
 40-50=+/-0.5
 50-100=+/-0.75
 100-300=+/-1.5
 Angles=+/-1
Dimensions are in Millimeters

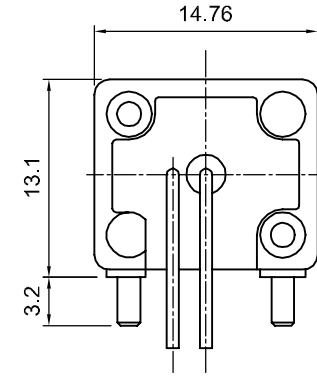
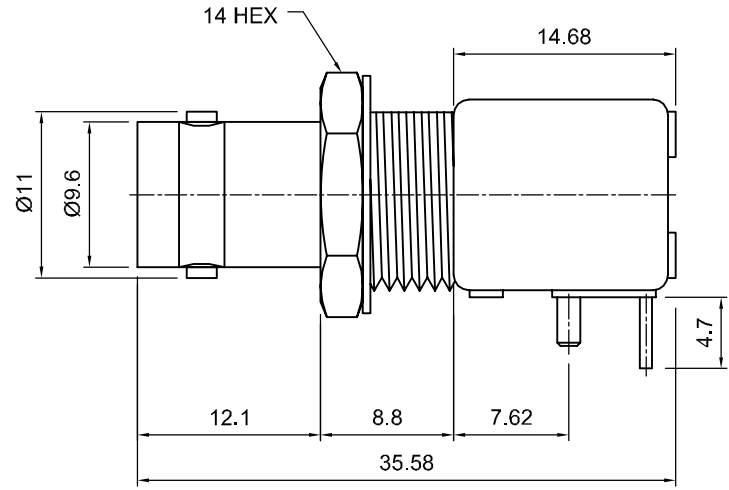
Revisions Description/Approved/Date	Approved M.H.	Date
	Checked M.H.	Date
	Drawn K.R.E.	Date
NOTES (plating thickness in micro-inches): 1. Per QQ-B-626 2. Per QQ-S-764 3. Per QQ-C-530 4. Per QQ-B-750 5. Per MIL-P-19468 6. Per ZZ-R-765 7. Per WW-T-799 8. Gold pl. 5 min. over nickel pl. 50 min. over copper strike 9. Nickel pl. 100 min. over copper strike 10. Per QQ-P-35 11. Gold pl. 3 min. over nickel pl. 50 min. over copper strike		




RECOMMENDED MOUNTING HOLE



RECOMMENDED PCB LAYOUT



ITEM	MATERIAL	FINISH
Connector Body	Diecast, Zinc Alloy 3	Nickel, Note 9
Center Contact: Female	Brass, Note 1	Gold, Note 11
Insulation	Polypropylene	None
Ferrule	--	--
Gasket	--	--
Hex Nut	Brass, Note 1	Same as body
Lock Washer	Brass, Note 1	Same as body



Lighthouse Technologies, Inc.
 5640 Kearny Mesa Road, Suite N
 San Diego, California 92111
 Part Number:
LTI-BLF54MNPM

Description BNC right angle PCB jack medium profile version.		
Nickel plated Zinc body, Polypropylene dielectric.		
Scale 2:1	Drawing No.	File Name BLF54MNPM