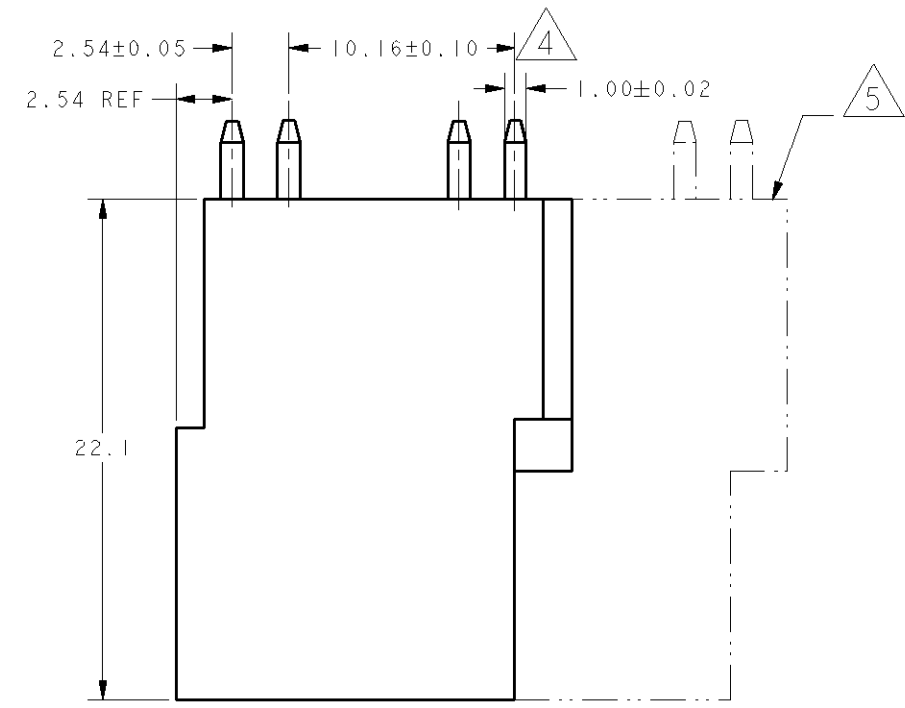
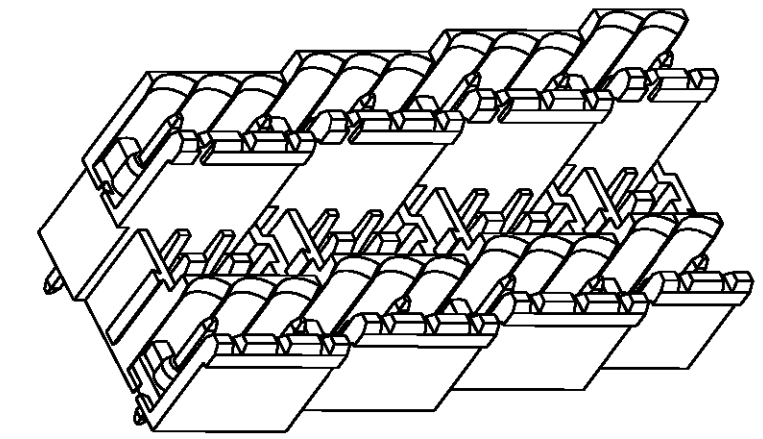


THIS DRAWING IS UNPUBLISHED. RELEASED FOR PUBLICATION 20
 © COPYRIGHT 20 BY TYCO ELECTRONICS CORPORATION. ALL RIGHTS RESERVED.

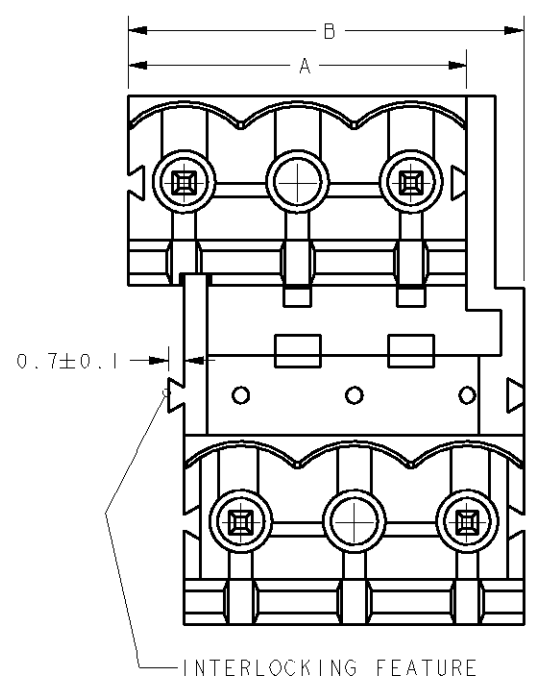
LOC	DIST	REVISIONS			
P	LTR	DESCRIPTION	DATE	DWN	APVD
FT	0	B	REVISED PER 0G3B-0119-01	24JAN2002	EZ DB



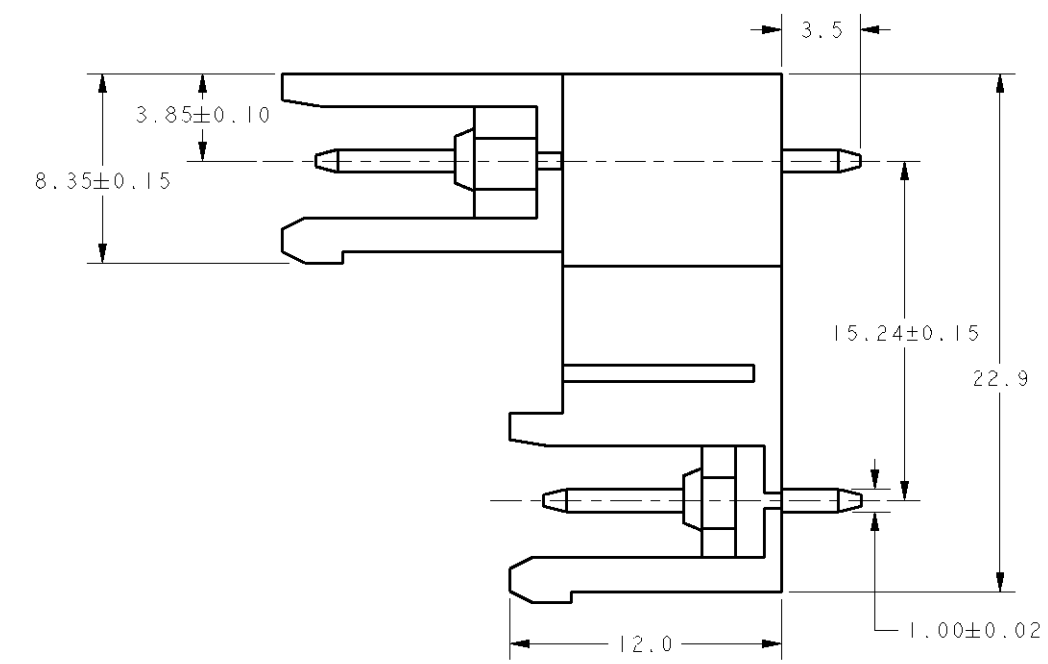
- 1 MATERIALS AND FINISH
HOUSING: PA 6-6, UL 94-V0, COLOR GREEN.
TERMINAL: PHOSPHOR BRONZE, TIN PLATED.
- 2 SUITABLE FOR 1,6-2,4mm PC BOARD THICKNESS.
- 3 END-TO-END STACKABLE WITHOUT LOSS OF CENTERLINE SPACING.
- 4 NOT CUMULATIVE TOLERANCE.
- 5 P/N FROM 284059-4 TO 1-284059-3 ARE OBTAINED BY ASSEMBLING DIFFERENT MONOLITHIC MODULES CHOSEN AMONG 284059-2 AND 284059-3, IN ORDER TO REALIZE THE DESIRED NUMBER OF WAYS.



EXPLODED VIEW OF 1-284058-1

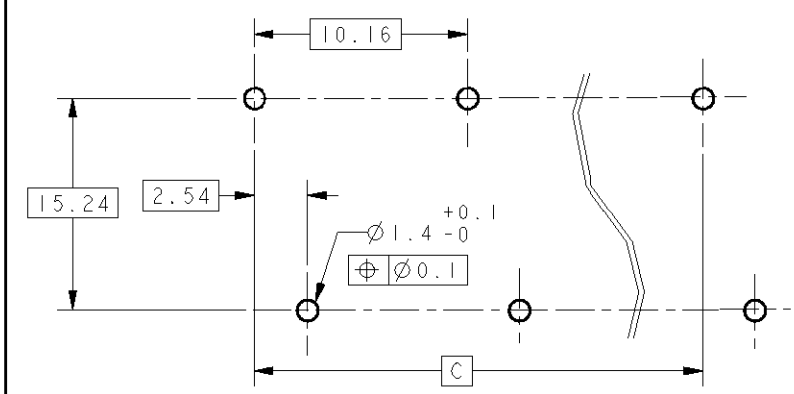


INTERLOCKING FEATURE



DIM"A"	DIM"B"	DIM"C"	N°OF TOTAL POS.	PART NUMBER
127.00	129.54	121.92	13	1-284059-3
116.84	119.38	111.76	12	1-284059-2
106.68	109.22	101.60	11	1-284059-1
96.52	99.06	91.44	10	1-284059-0
86.36	88.90	81.28	9	284059-9
76.20	78.74	71.12	8	284059-8
66.04	68.58	60.96	7	284059-7
55.88	58.42	50.80	6	284059-6
45.72	48.26	40.64	5	284059-5
35.56	38.10	30.48	4	284059-4
25.40	27.94	20.32	3	284059-3
15.24	17.78	-	2	284059-2

RECOMMENDED PC BOARD LAYOUT



THIS DRAWING IS A CONTROLLED DOCUMENT FOR TYCO ELECTRONICS CORPORATION. IT IS SUBJECT TO CHANGE AND THE CONTROLLING ENGINEERING ORGANIZATION SHOULD BE CONTACTED FOR THE LATEST REVISION.

DIMENSIONS:	TOLERANCES UNLESS OTHERWISE SPECIFIED:	DWN	24JAN2002	BUCHANAN Tyco Electronics Harrisburg, PA 17105-3608					
mm		CHK	24JAN2002						
		APVD	24JAN2002						
		PRODUCT SPEC							
	0 PLC ±.3	APPLICATION SPEC		NAME TERMINAL BLOCK MULTIPLE HEADER ASSEMBLY, 180° STACKING W/ INTERLOCK, 10.16mm PITCH					
	1 PLC ±.3								
	2 PLC ±.25	WEIGHT		SIZE	CAGE CODE	DRAWING NO	RESTRICTED TO		
	3 PLC ±.			A3	00779	C=284059			
	4 PLC ±.			CUSTOMER DRAWING		SCALE	SHEET	OF	REV
	ANGLES ±.2					3:1	1	1	B
MATERIAL	FINISH								