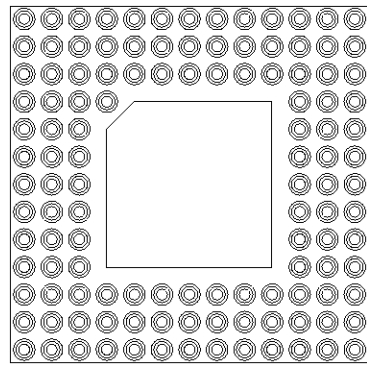
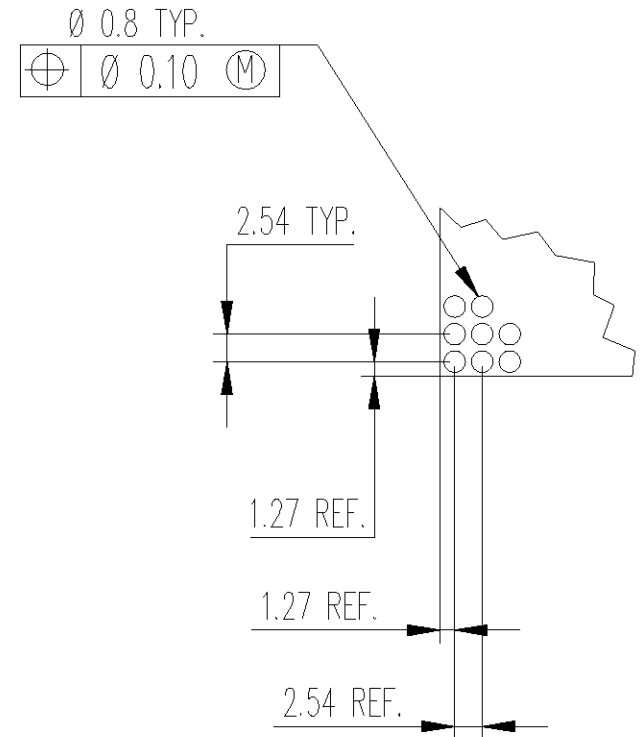
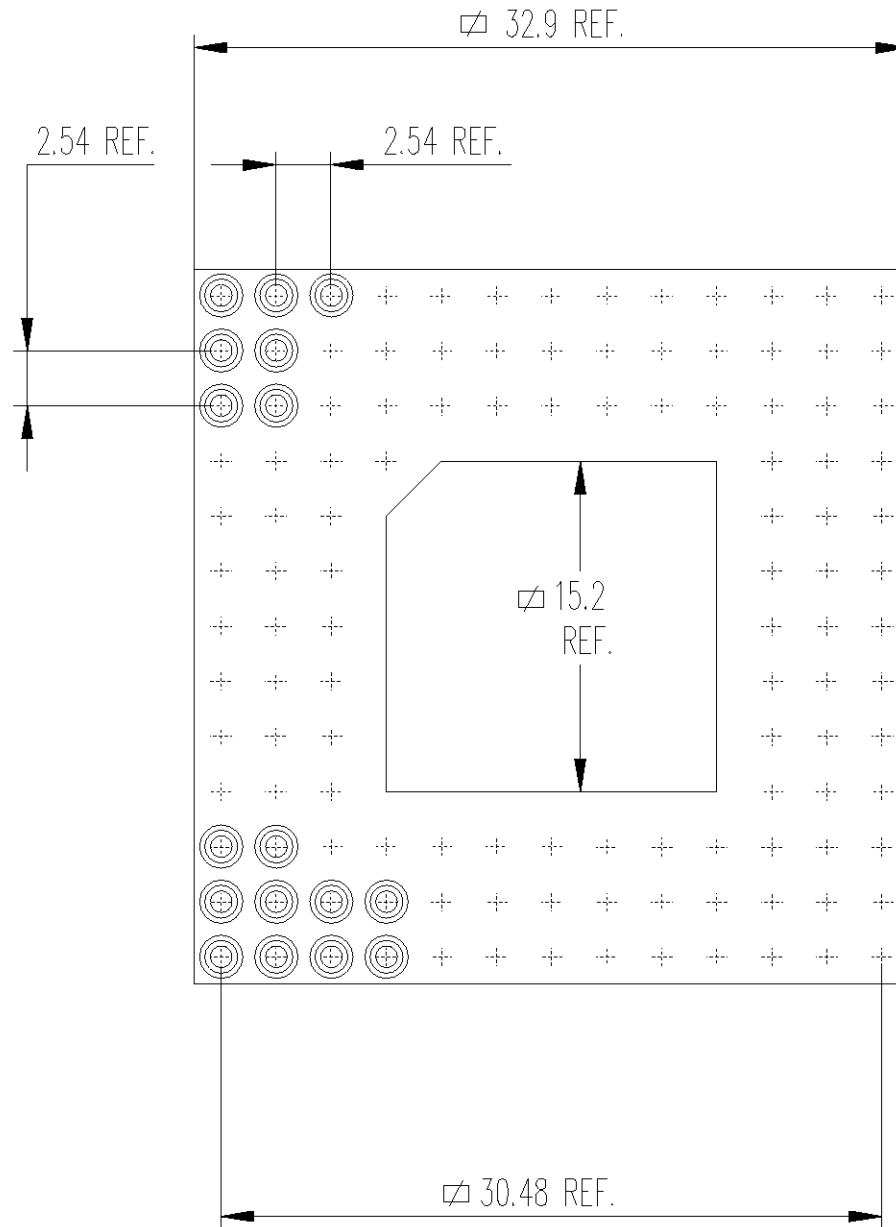
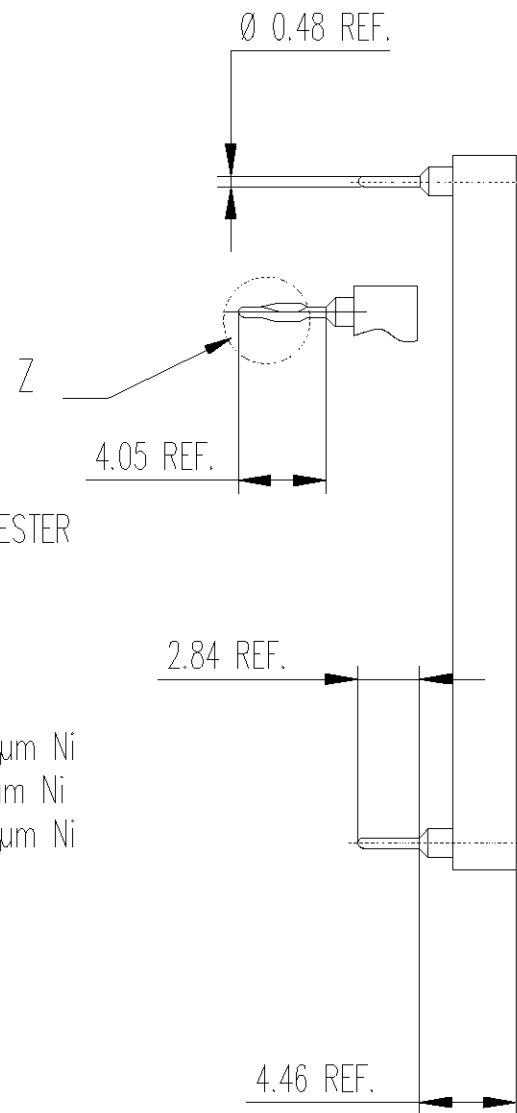


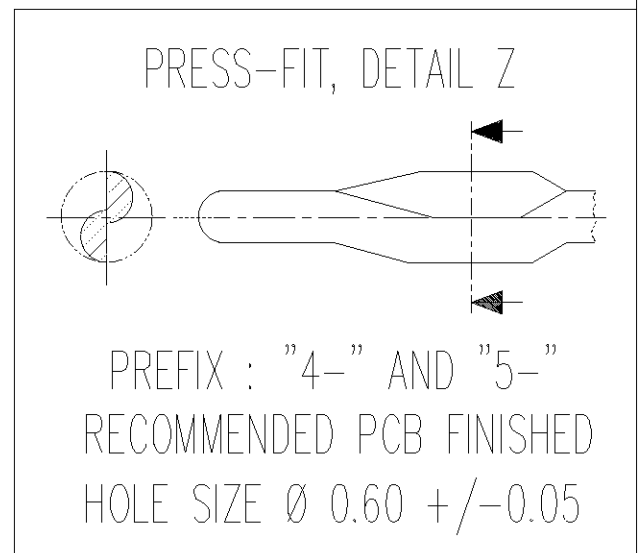
DRAWING NO
C - 210197



121 positions
Ech. 1:1



RECOMMENDED P.C.
BOARD PATTERN
Ech. 1:1



NOTE :

1. MATERIAL
 - INSULATOR : GLASSFILLED THERMOPLASTIC POLYESTER
 - SOLDER TAIL SLEEVE : BRASS
 - PRESS-FIT SLEEVE : PHOSPHOR BRONZE
 - CLIP : STAMPED BERYLLIUM COPPER
2. SLEEVE PLATING:
 - PREFIX "0-" AND "2-": 5µm Sn/Pb OVER 2-3µm Ni
 - PREFIX "1-" AND "3-": 0.25µm Au OVER 2-3µm Ni
 - PREFIX "4-" AND "5-": 3µm Sn/Pb OVER 2-3µm Ni
3. INNER CONTACT PLATING
 - SUFFIX "-1" 0.25µm 18c. Au
 - SUFFIX "-3" 0.75µm 18c. Au
 - SUFFIX "-4" 0.75µm 24c. Au
 - SUFFIX "-5" 5µm MIN. Sn/Pb **
 - SUFFIX "-6" 0.1µm FLASH 24c. Au
 - SUFFIX "-7" 0.60µm 18c. Au
 - ** ONLY WITH PREFIX "0-", "2-", "4-" AND "5-"
4. INNER SPRING CONTACT ACCEPT Ø 0.40 TO 0.56
OR RECTANGULAR PIN 0.25 x 0.45
5. INSERTION CHARACTERISTICS:
 - PREFIX "0-", "1-" AND "4-": VERY LOW FORCE
 - PREFIX "2-", "3-" AND "5-": ULTRA LOW FORCE
6. MECHANICAL DATA WITH A Ø 0.43 TEST PIN :

	VLI	ULI
-MAX. INSERTION FORCE :	0.7N	0.2N
-MIN. EXTRACTION FORCE :	0.1N	0.05N
-MECHANICAL LIFE : 100 CYCLES MIN.		

DIMENSIONS	mm									DRAWN S.CHANDEVAVLT 10 JUN 99	
										CHECKED A. BOLIS 10 JUN 99	
SURFACE TEXTURE										APPROVED	
CONCENTRICITY											
PRODUCT SPEC.		P	REV	ECN	DRWN	DATE	APVD			CUSTOMER DRAWING FOR REFERENCE ONLY	

THIS INFORMATION IS CONFIDENTIAL AND IS DISCLOSED TO YOU ON CONDITION THAT NO FURTHER DISCLOSURE IS MADE BY YOU TO OTHER THAN AMP PERSONNEL WITHOUT WRITTEN AUTHORIZATION FROM DSM SWITZERLAND.

NAME
OPEN FRAME PGA
13 x 13, 121 SOCKETS

WAS 700-121-1-13-0-CC AND CCAP
WAS 4-342618-6 TO 5-345618-0



DSM DECOLLETAGE SA SAINT-MAURICE
CH 1890 SAINT-MAURICE (VS)

LOC EK	SCALE 2/1	SIZE A4	DRAWING NO C - 210197	SHEET 1 OF 1	REVISION O
-----------	--------------	------------	--------------------------	-----------------	---------------