

PACKAGED DEVICES

Silicon Abrupt Tuning Varactors DC4200 Series

- High Q
- High reliability
- Wide range of capacitance values
- High capacitance tolerance
- Glass or ceramic packages
- Large tuning range

MARCONI CKT TECHNOLOGY
LIMITING CONDITIONS

30E D ■ 5783442 0001684 8 ■ T-07-19

Operating temperature range	-55°C to +175°C
Storage temperature range	-55°C to +200°C

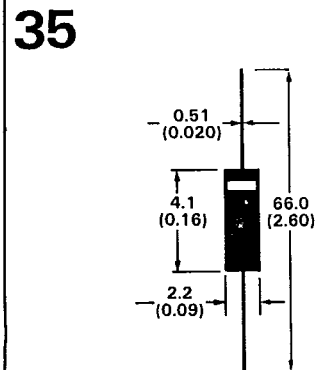
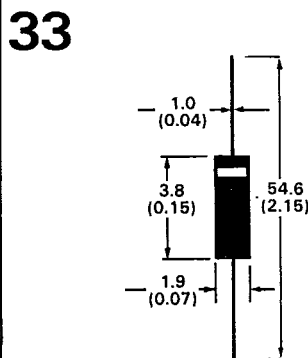
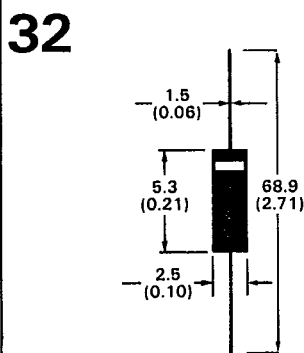
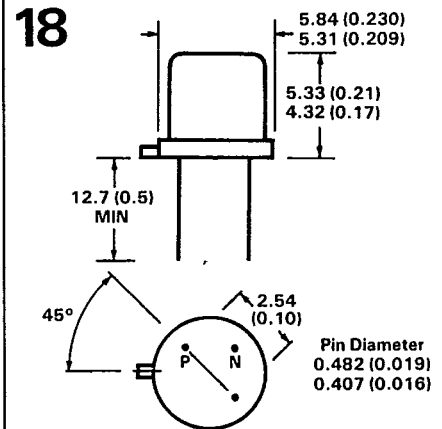
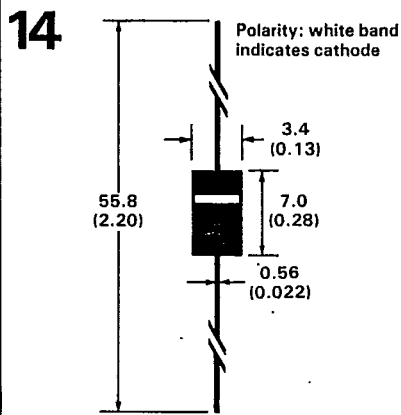
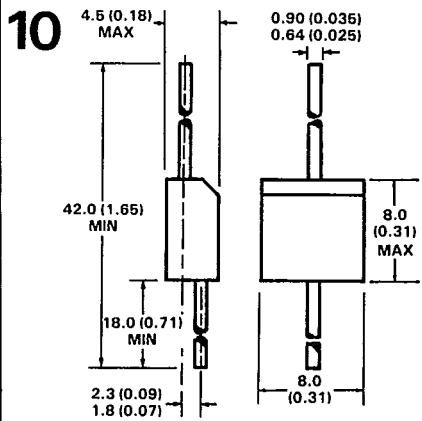
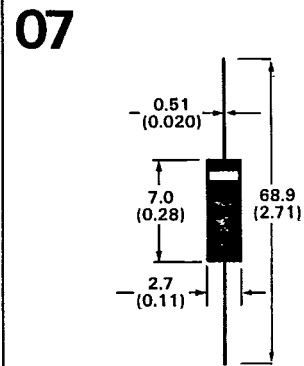
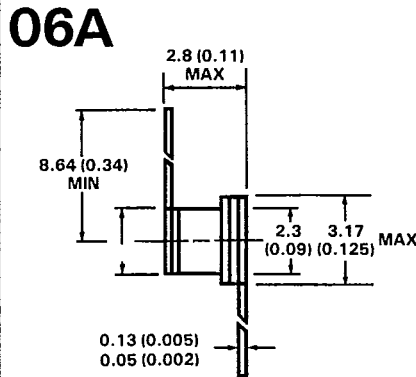
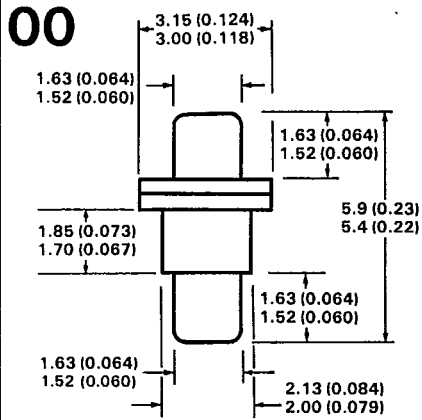
The following table indicates the range of devices currently available. Customised devices to specific requirements can be produced.

ELECTRICAL CHARACTERISTICS at $T_{amb} = 25^{\circ}\text{C}$

Type number	Outline number	Minimum breakdown voltage (V)	Total capacitance C_T (pF)	Minimum capacitance ratio C_{4V}/C_{60V}	Minimum Quality Factor		
					Q	Test frequency (MHz)	Reverse voltage (V)
DC4255B	35	60	2.2	2.5	550	50	-4.0
DC4256B	35	60	3.3	2.7	450	50	-4.0
DC4266B	00	60	3.3	2.7	500	50	-4.0
DC4286B	06A	60	3.3	2.7	500	50	-4.0
DC4257B	07	60	4.7	2.8	450	50	-4.0
DC4210B	07	60	6.8	2.9	450	50	-4.0
DC4211B	07	60	8.2	2.9	400	50	-4.0
DC4212B	07	60	10.0	3.0	350	50	-4.0
DC4213B	07	60	12.0	3.0	350	50	-4.0
DC4214B	07	60	15.0	3.1	300	50	-4.0
DC4215B	07	60	18.0	3.1	250	50	-4.0
DC4216B	07	60	22.0	3.2	250	50	-4.0
DC4217B	07	60	27.0	3.2	200	50	-4.0
DC4218B	07	60	33.0	3.2	200	50	-4.0
DC4224B	07	60	39.0	3.2	200	50	-4.0
DC4225B	07	60	47.0	3.2	200	50	-4.0
DC4226B	14	60	56.0	3.2	120	50	-4.0
DC4227B	14	60	68.0	3.2	120	50	-4.0
DC4228B	14	60	80.0	3.2	100	50	-4.5
DC4229D	14	100	86.0	3.2	200	50	-4.5
DC4229F	14	120	57.0	3.85	240	50	-15
DC4232B	18	60	100	3.2	200	10	-4.0
DC4233B	18	60	120	3.2	200	10	-4.0
DC4234B	18	60	150	3.2	200	10	-4.0
DC4298	10	100	200	3.2	200	25	-8.0
DC4299	10	100	335	3.2	200	25	-8.0
DC4244C	78	90	350	3.2	750	1	-4.0
DC4265B	00	60	2.2	2.5	550	50	-4.0
DC4285B	06A	60	2.2	2.5	550	50	-4.0
DC4266B	00	60	3.3	2.7	500	50	-4.0
DC4286B	06A	60	3.3	2.7	500	50	-4.0
DC4267B	00	60	4.7	2.8	450	50	-4.0
DC4287B	06A	60	4.7	2.8	450	50	-4.0
Test conditions	—	$I_R = 10\mu\text{A}$	$f = 1\text{MHz}$	$f = 1\text{MHz}$			

PACKAGED DEVICES

Dimensions in mm (inches)



PACKAGED DEVICES

MARCONI CKT TECHNOLOGY

30E D ■ 5783442 0001690 3 ■

5783519 MARCONI/ MICROWAVE PROD

02E 00021 D

T-91-20

PACKAGED DEVICES

Dimensions in mm (inches)		
<p>40</p> <p>3.15 (0.124) 3.00 (0.118)</p> <p>5.28 (0.208) 4.78 (0.188)</p> <p>3.48 U.N.C. 2A THREAD</p> <p>SCREWDRIVER SLOT</p>	<p>78</p> <p>9.39 (0.370) 8.64 (0.340)</p> <p>5.33 (0.210) 4.32 (0.170)</p> <p>0.432 (0.0170)</p> <p>8.12 (0.320) MIN</p> <p>5.08 (0.200)</p> <p>45°</p> <p>P N</p>	<p>86</p> <p>2.59 (0.102) 2.49 (0.098)</p> <p>4.3 (0.17)</p> <p>3.48 U.N.C. 2A THREAD</p> <p>SCREWDRIVER SLOT</p>
<p>106</p> <p>3.00 (0.118) 2.89 (0.114)</p> <p>3.7 (0.15) 3.5 (0.14)</p> <p>No. 3.48 UNC 2A Thread</p>	<p>119</p> <p>Ø2.4 (0.09)</p> <p>5.1 (0.20)</p> <p>Cathode Mark</p>	<p>120</p> <p>3.4 (0.13)</p> <p>Ø 1.6 (0.06)</p> <p>Cathode Mark</p>