

1 ROCKER SWITCHES

Large Rocker Switches — 92 Series

DESCRIPTION

The 92 Series is the ideal choice when a large rocker with plenty of switching power is required. These stylish rockers come with standard black and white or custom colors, with matte or gloss finish, and in illuminated and non-illuminated versions. The illuminated switches have all-illuminated and

window-illuminated translucent rockers that come in four different colors.

Timesaving snap-in mounting and combination quick-connect /solder lug terminals make installation quick and easy. This popular series is widely used throughout the world in many industrial, heavy vehicle and appliance applications.

SPECIFICATIONS

Ratings:

See selection table.

Circuits:

1PST, 1PDT, 2PST, 2PDT

Maintained and momentary action.

Two and three position.

HOW TO ORDER — LARGE SIZE ROCKER SWITCHES

To determine your Complete Catalog Number, you must start with the appropriate Base Circuit Number and add the appropriate Code Letters and/or Numbers as in the example below:

Start with this Base Circuit Number	...add each appropriate Code Number or Letter...							...to get to your Complete Catalog Number
Series Reference	Translucent Lens Color	Rocker Finish	Circuit Code	Bulb Voltage	Base & Bezel Color	Rocker/Lens Color	Termination Type	Complete Catalog Number
92PRN	N/A	M	403	1	1	6	E	92PRNM403116E

LARGE SIZE ROCKER SWITCHES SELECTION TABLE

Rating	Poles and Throw	SERIES REFERENCE	Translucent Lens Color		Rocker Finish		Circuit with Rocker in			CIRCUIT CODE	CIRCUIT NUMBER SEE PAGE 4.29	CATALOG NUMBER													
			Color	Code	Type	Code	UP Position	CENTER Position	DOWN Position			Bulb Voltage		Base & Bezel Color		Rocker/Lens Color		Termination Type							
												Voltage Type	Code	Color	Code	Color	Code	Color	Code	Termination	Code				
92P SERIES (NON-ILLUMINATED ①)												92P SERIES (NON-ILLUMINATED ①)													
16A, 250V ac 16A, 28V dc Maximum	1 P.S.T.	92P	N/A	N/A	Gloss	②	M	ON	NONE	OFF	403	1	N/A	N/A	Black	1	Black	1	6.3mm Tabs/ .250" Quick Connect	E					
		92P						ON	NONE	ON	401	7													
	1 P.D.T.	92P						ON	NONE	ON*	501	7													
		92P						ON	OFF	ON	101	6													
		92P						ON	OFF	ON*	201	8													
		92P						ON*	OFF	ON*	301	9													
	2 P.S.T.	92P						ON	NONE	OFF	404	10													
		92P						ON	NONE	ON	402	13													
	2 P.D.T.	92P						ON	NONE	ON*	502	15													
		92P						ON	OFF	ON	102	14													
92P		ON	OFF	ON*	202	16																			
92P		ON*	OFF	ON*	302	17																			
92P		ON*	OFF	ON*	302	17																			
92PN SERIES (HALF ROCKER ILLUMINATED ①)												92PN SERIES (HALF ROCKER ILLUMINATED ①)													
16A, 250V ac 16A, 28V dc Maximum	1 P.S.T.	92PN	Amber	A	Gloss	②	M	ON	NONE	OFF	403	18	125V Neon	1	Black	1	Black	1	6.3mm Tabs/ .250" Quick Connect	E					
		92PN	Green	G				ON	NONE	OFF	403X ③	20		250V Neon							2				
	2 P.S.T.	92PN	Red	R				ON	NONE	OFF	404	28		12V Filament							5				
		92PN	White	W				ON	NONE	OFF	404X ③	29		24V Filament							6				
92PRN SERIES (FULL ROCKER ILLUMINATED)												92PRN SERIES (FULL ROCKER ILLUMINATED)													
16A, 250V ac 16A, 28V dc Maximum	1 P.S.T.	92PRN	N/A	N/A	Gloss	②	M	ON	NONE	OFF	403	18	125V Neon	1	Black	1	Green	6	6.3mm Tabs/ .250" Quick Connect	E					
		92PRN						ON	NONE	OFF	403X ③	20		250V Neon							2	Amber	7		
	2 P.S.T.	92PRN						ON	NONE	OFF	404	28		12V Filament							5	White	2	White	8
		92PRN						ON	NONE	OFF	404X ③	29		24V Filament							6	Red	9		

*Momentary contact.

① Switches can be provided with a "porthole" in one half of the rocker assembly, ready to accept a colored or marked lens. Customer can select lenses as required and snap them into place during installation. Insert "Y" after series reference when ordering and omit translucent lens color code. Lenses are supplied with a diffuser (Catalog Number A146-119) which slides in between the double face of the lens. When code "Y" is used, order colored lenses as follows:

Amber, A146-109-1; Green, A146-109-3; Red, A146-109-2; White, A146-109.

Consult factory for lens markings and standard motifs available. Where a mixture of illuminated and non-illuminated components are used, styling can be maintained by having the legend or motif against a similar background.

② No code required.

③ Independent and integral lamp with access via 2 terminals.

Contact Mechanism:
 Slow-make/Slow-break contact mechanism.
 Butt action contact mechanism designed specifically for use on ac and low voltage dc applications.

Contact Material:
 Silver inlay over copper.

Contact Resistance:
 10 MΩ maximum at 1A, 4V dc.

Electrical Life:
 50,000 cycles minimum at maximum rated voltages and current .

Mechanical Life:
 100,000 cycles minimum.

Insulation Resistance:
 50 MΩ.

Dielectric Withstand:
 1000V RMS minimum.

Termination Type:
 6.3mm tabs/.250" Quick-connect.

Termination Material:
 Copper.
 Lamp — Brass.

Lamp Life (Neon and Filament):
 5,000 hours minimum.

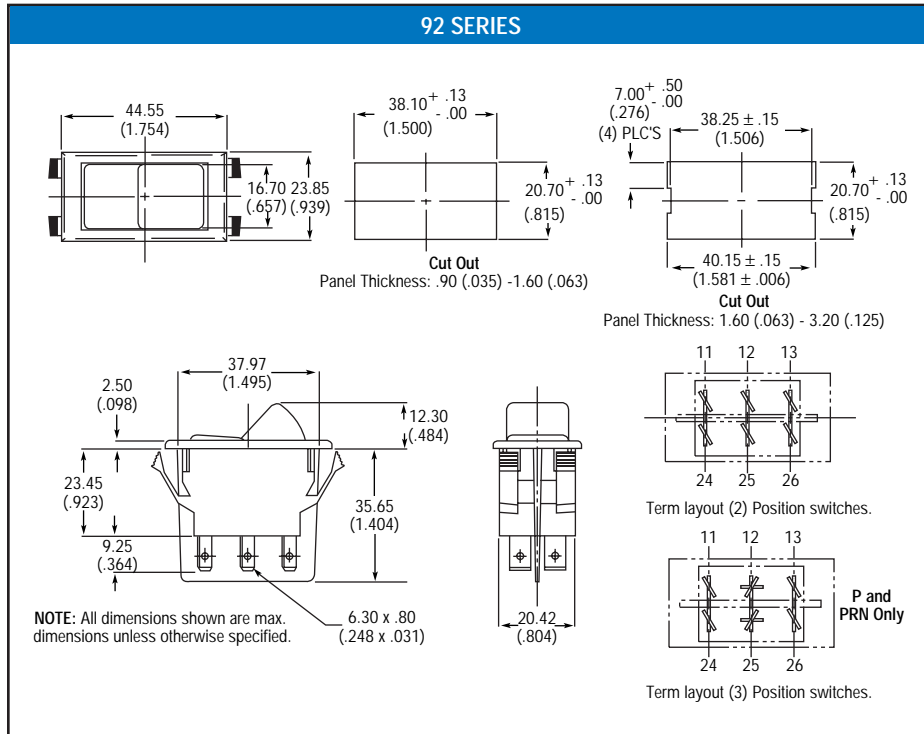
Lamp Wattage (Filament):
 24V — 0.96 Watt.
 12V — 0.48 Watt.

Operating Temperature Range
 0°C to +85°C
 (+32°F to +185°F).

Approvals:
 UL.
 CSA.



DIMENSIONS APPROXIMATE IN MM (INCHES)



1



92PM40311E



92PNRM403111E



92PRN403116E



92PRN403119E