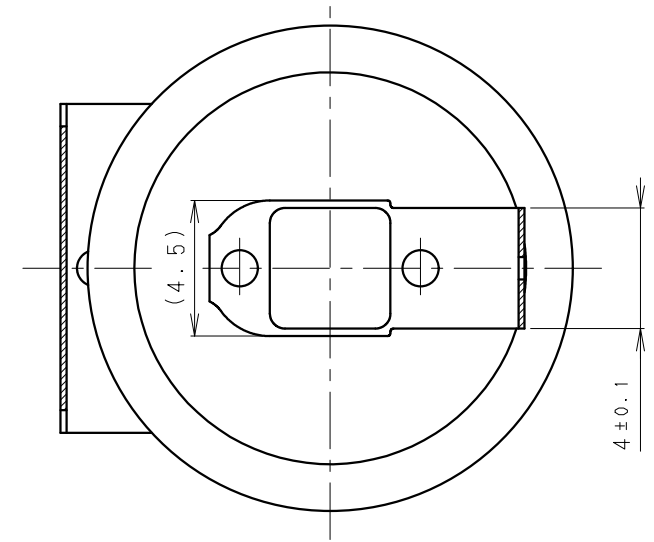
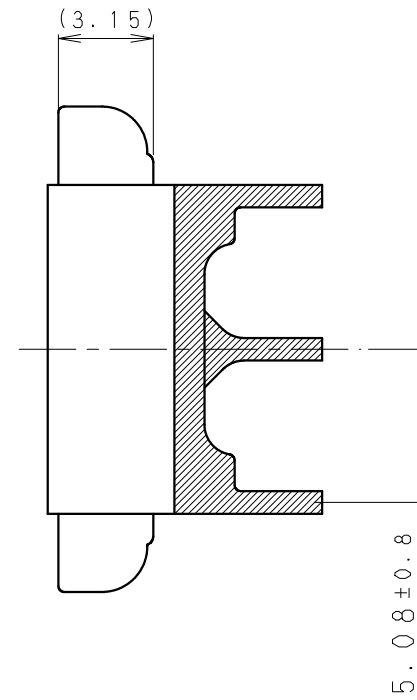
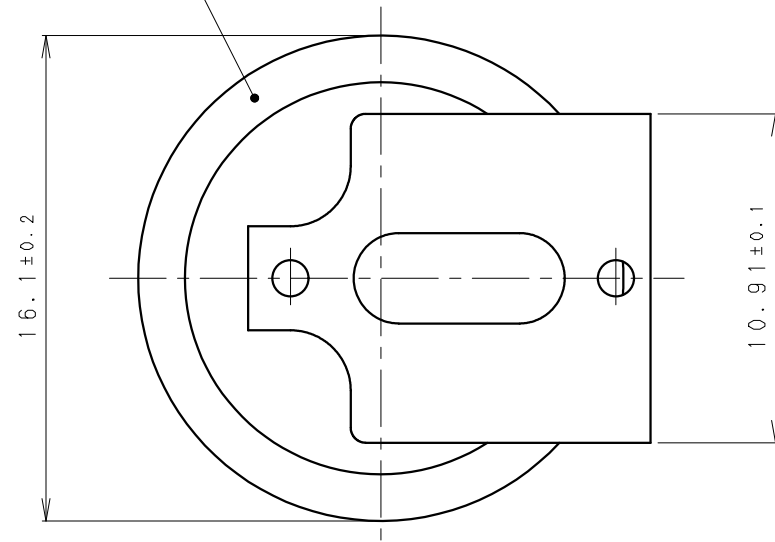
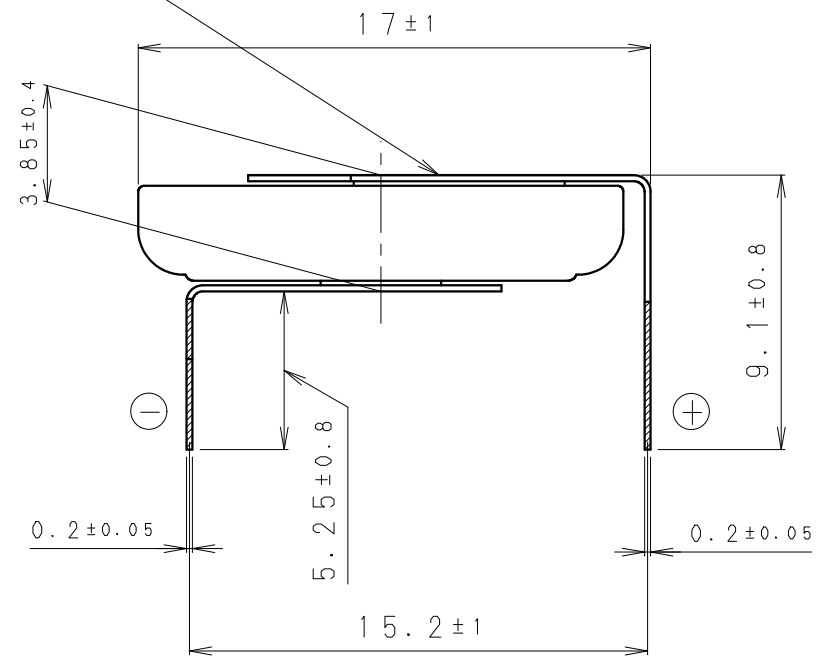
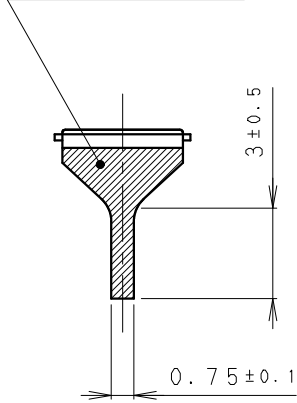


INSULATOR (FRESH GREEN)  
 [絶縁チューブ (フレッシュグリーン色)]

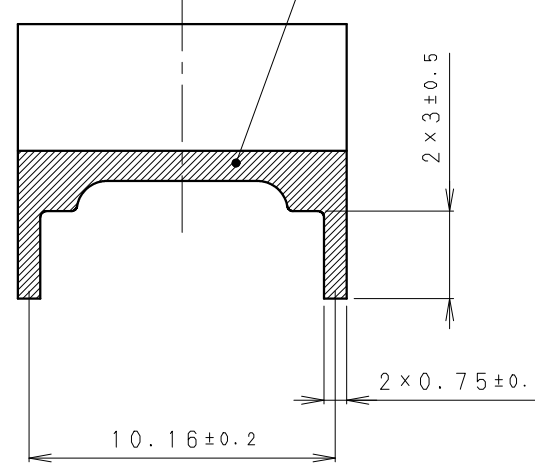


DATE CODE INDICATION  
 ON THIS SIDE (ロット表示面)

TIN PLATING  
 [Snめっき]



TIN PLATING  
 [Snめっき]



NOTE [注記]

1. NOMINAL VOLTAGE: 3V [公称電圧3V]
2. TAB WELDING STRENGTH OVER 19.6N [端子溶接強度: 19.6N以上]
3. TAB MATERIAL: STAINLESS STEEL WITH TIN PLATING [端子材料: 基材 ステンレス/表面 部分Snめっき]
4. ( ): REFERENCE DIMENSION AND ANGLE [ ( ) 寸法、角度は参考値]
5. REGARDING THE LAST CHARACTER OF PRODUCT NO.  
 N MEANS INTERNATIONAL MODEL,  
 K MEANS JAPANESE MODEL.  
 [製品番号の末尾の文字に関して Nは海外向、Kは日本向を意味します。]

PRODUCT NO.	BR-1632A/GBN (K)	SCALE	4:1
DRAWING NO.	MMGA1Z	UNIT: mm	