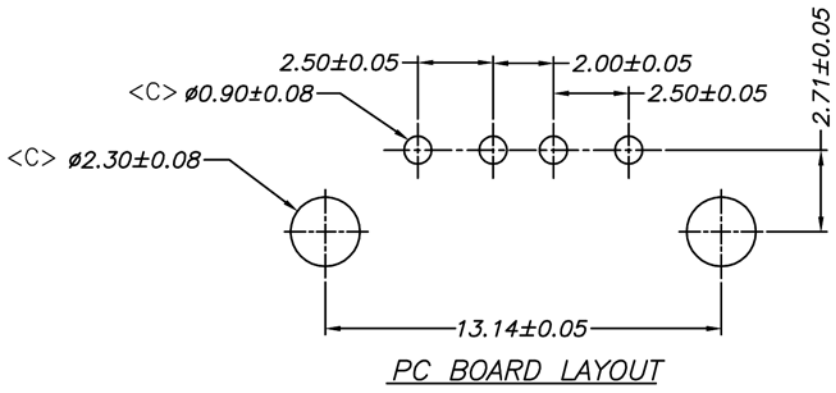
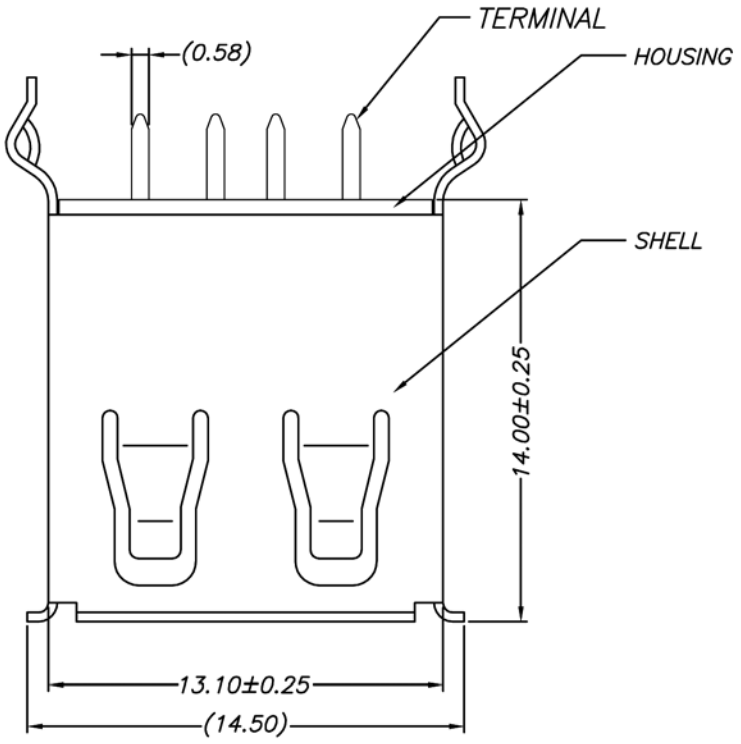


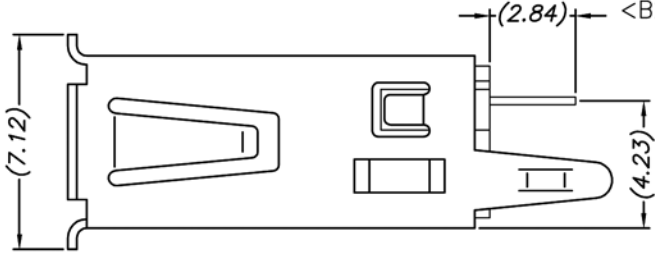
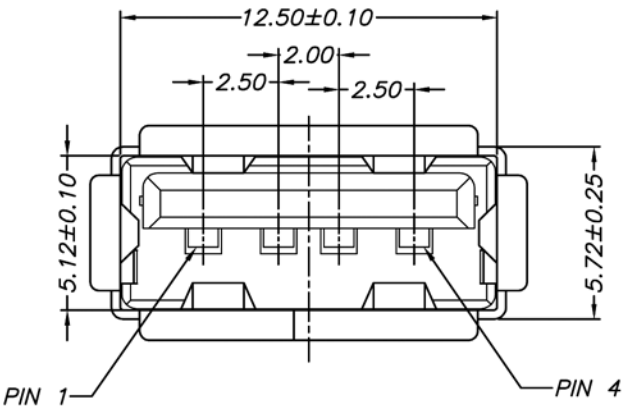
6 5 4 3 2 1

REV.	DESCRIPTION	DATE
B	Change Shell Plating	09/16/2004
C	Modify Tolerance	04/25/2006



NOTE:

- 1. Material:
 - Housing : P.B.T. + G.F. UL94V-0, Color : Black
 - Terminal : Copper Alloy (t=0.25mm)
 - Shell : Copper Alloy (t=0.30mm)
- 2. Plating:
 - Terminal (Contact Area) : Au 30u"
 - Terminal (Solder Area) : Sn 100u"
 - Shell : Nickel 40u"



 www.cypressindustries.com		USB A Type Receptacle Vertical, Single RoHS compliant	
DATE	04/25/06'	Part No	REV
DWN	Janice	CCUSBA-32001-30X	C
CHK	Allen	SCALE: 4/1	UNIT
APP	C.M. Chang	TOLERANCES	MM
		0.X: ±0.50	SHEET
		0.XX: ±0.25	1/1
		∠: ±2°	

E
D
C
B
A