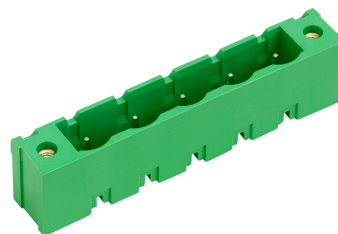




STLZ965/..F-7.62-V-GREEN



Technical Data

Wire Sizes		Insulating Material	
Solid min	-	Material	PBT
solid max	-	Flammability Class	UL 94 V-0
Stranded (flexible)		Temperatures	
min	-	Operating Temperature	-30 °C - 105 °C
Stranded (flexible)		Wave Soldering Process	
max	-	Soldering Temperature, recommended	265 °C
Stranded with Ferrule		Peak Soldering Time, recommended	3-4 s
min	-	Reflow Process	
Stranded with Ferrule		Soldering Temperature, recommended	-
max	-	Peak Soldering Time, recommended	-
Dimensions			
Stripped Length			
PCB Hole Diameter	1.6 mm		
Materials			
Flansch	Brass		
Gewindeinsatz			
Contact Pin	Brass		

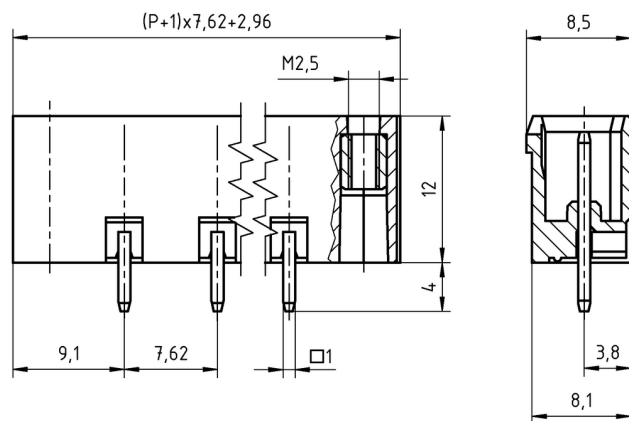
Colours

GREEN	RAL6018	
LIGHT GREEN	similar RAL 6018	

Colours according to RAL, there may be variations on colour due to production conditions.
Special colours on request.

Counterparts (Spacing 7.62 mm)


Pin Strip/Terminal Blocks	
AKZ965	



Order Data (Spacing mm)

Poles	Width (mm)	Article Designation	Article Number	PU
2	25.82	STLZ965/2F-7.62-V-GREEN	50965026121E	100
3	33.44	STLZ965/3F-7.62-V-GREEN	50965036121E	100
4	41.06	STLZ965/4F-7.62-V-GREEN	50965046121D	50
5	48.68	STLZ965/5F-7.62-V-GREEN	50965056121D	50
6	56.30	STLZ965/6F-7.62-V-GREEN	50965066121D	50
7	63.92	STLZ965/7F-7.62-V-GREEN	50965076121D	50
8	71.54	STLZ965/8F-7.62-V-GREEN	50965086121D	50
9	79.16	STLZ965/9F-7.62-V-GREEN	50965096121D	50
10	86.78	STLZ965/10F-7.62-V-GREEN	50965106121D	50
11	94.40	STLZ965/11F-7.62-V-GREEN	50965116121D	50
12	102.02	STLZ965/12F-7.62-V-GREEN	50965126121D	50
13	109.64	STLZ965/13F-7.62-V-GREEN	50965136121D	50
14	117.26	STLZ965/14F-7.62-V-GREEN	50965146121D	50
15	124.88	STLZ965/15F-7.62-V-GREEN	50965156121D	50
16	132.50	STLZ965/16F-7.62-V-GREEN	50965166121D	50

Accessories

Figure	Designation	Article Number
	Coding star CS3-5.0/5.08-RED	5000000025



Dividing element SE-STL950-GREEN	5095000002
----------------------------------	------------

Ratings



Usegroup	B	C	D	
Rated Voltage	300 V	-	300 V	400 V
Rated Current	10 A	-	10 A	12 A
Overtoltage Category				III
Test Voltage	1.6 kV	-	1.6 kV	6.0 kV
Pollution Degree				3

* Approval Pending