



Raychem

TE Internal #: 2839093001

Hook Up Wire, Spec 44, 1000V Voltage Rating, Red Wire Color, 14AWG Wire Size, Operating Temperature Range -65 – 150 °C

[View on TE.com >](#)

Wire & Cable > Hook Up Wire



Cable Type: **Spec 44**

Voltage Rating: **1000 V**

Wire Color: **Red**

Insulation Material: **Modified Radiation Cross-linked PVDF**

Conductor Material: **Tin-Coated Copper**

Features

Product Type Features

Cable Style	Primary
Product Type	Cable
Product Classification	Cable - High Performance - Spec 44, 55 & RCW
Cable Type	Spec 44

Configuration Features

Number of Conductors	1
Number of Strands	19

Electrical Characteristics

Voltage Rating	1000 V
----------------	--------

Body Features

Wire Color	Red
Insulation Material	Modified Radiation Cross-linked PVDF
Conductor Material	Tin-Coated Copper

Dimensions

Overall Outside Diameter	2.49 mm[.098 in]
Wire Diameter	2.48 mm[.098 in]
Conductor Diameter	1.79 mm[.07 in]



Strand Size	27 AWG
-------------	--------

Wire Size	14 AWG
-----------	--------

Usage Conditions

Operating Temperature Range	-65 – 150 °C
-----------------------------	--------------

Other

Wire Source	United Kingdom
-------------	----------------

Product Compliance

[For compliance documentation, visit the product page on TE.com>](#)

EU RoHS Directive 2011/65/EU	Compliant
------------------------------	-----------

EU ELV Directive 2000/53/EC	Compliant
-----------------------------	-----------

China RoHS 2 Directive MIIT Order No 32, 2016	No Restricted Materials Above Threshold
---	---

EU REACH Regulation (EC) No. 1907/2006	Current ECHA Candidate List: JUN 2020 (209) Candidate List Declared Against: JUN 2020 (209) Does not contain REACH SVHC
--	---

Halogen Content	Out of Scope - excluded from Halogen requirements
-----------------	---

Solder Process Capability	Not applicable for solder process capability
---------------------------	--

Product Compliance Disclaimer

This information is provided based on reasonable inquiry of our suppliers and represents our current actual knowledge based on the information they provided. This information is subject to change. The part numbers that TE has identified as EU RoHS compliant have a maximum concentration of 0.1% by weight in homogenous materials for lead, hexavalent chromium, mercury, PBB, PBDE, DBP, BBP, DEHP, DIBP, and 0.01% for cadmium, or qualify for an exemption to these limits as defined in the Annexes of Directive 2011/65/EU (RoHS2). Finished electrical and electronic equipment products will be CE marked as required by Directive 2011/65/EU. Components may not be CE marked. Additionally, the part numbers that TE has identified as EU ELV compliant have a maximum concentration of 0.1% by weight in homogenous materials for lead, hexavalent chromium, and mercury, and 0.01% for cadmium, or qualify for an exemption to these limits as defined in the Annexes of Directive 2000/53/EC (ELV). Regarding the REACH Regulation, the information TE provides on SVHC in articles for this part number is based on the latest European Chemicals Agency (ECHA) 'Guidance on requirements for substances in articles' posted at this URL: <https://echa.europa.eu/guidance-documents/guidance-on-reach>

Compatible Parts



TE Model / Part # 650076-000
D-436-38

Customers Also Bought



TE Model / Part #695363-000
W-063-08



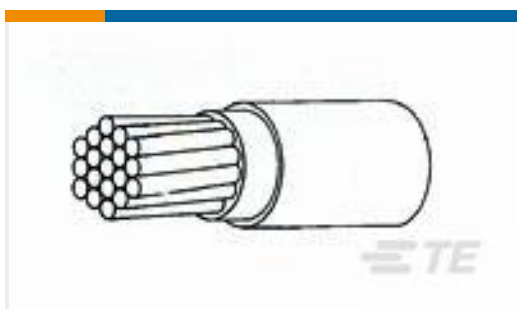
TE Model / Part #3823733001
44A1221-18-0/9-9



TE Model / Part #3843843001
44A0221-20-0/9



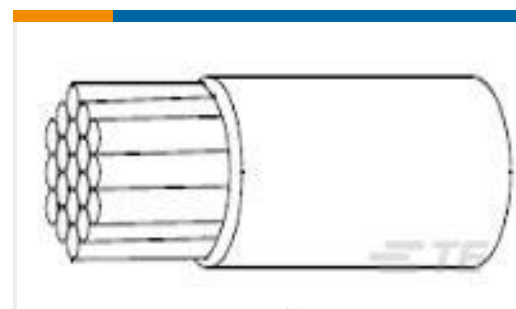
TE Model / Part #CT75843001
44A1321-14-0/9-9



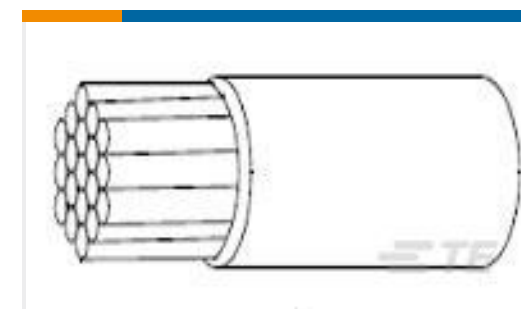
TE Model / Part #2839103001
44A0211-14-6



TE Model / Part #F706843001
44A1221-12-0/9-9



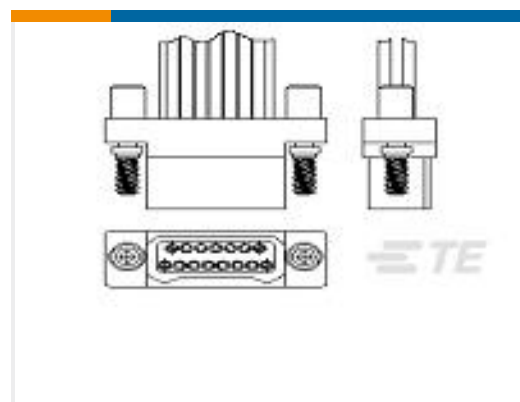
TE Model / Part #332773-000
55A0112-24-3



TE Model / Part #558071-000
55A0112-24-4



TE Model / Part #
YACT26JB02PAV00100
STRAIGHT PLUG



TE Model / Part #3-1589472-4
STL015PC2DC036N = WDUALOBE

Documents

Product Drawings

[44A0211-14-2](#)

English

Datasheets & Catalog Pages

[1654025_Sec9_SPEC44](#)

English

[Raychem Wire and Cable Quick Reference Guide](#)

English

44A0211-14-2

Hook Up Wire, Spec 44, 1000V Voltage Rating, Red Wire Color, 14AWG Wire Size,
Operating Temperature Range -65 – 150 °C

