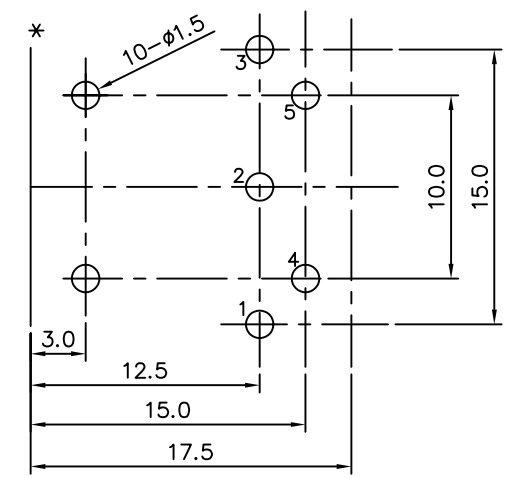
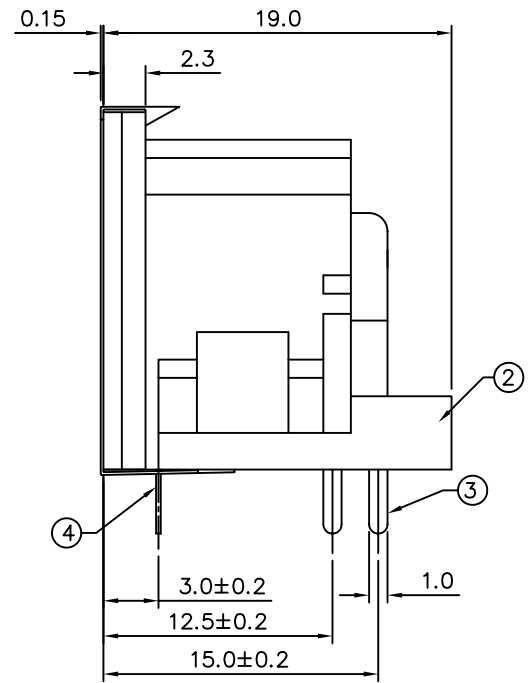
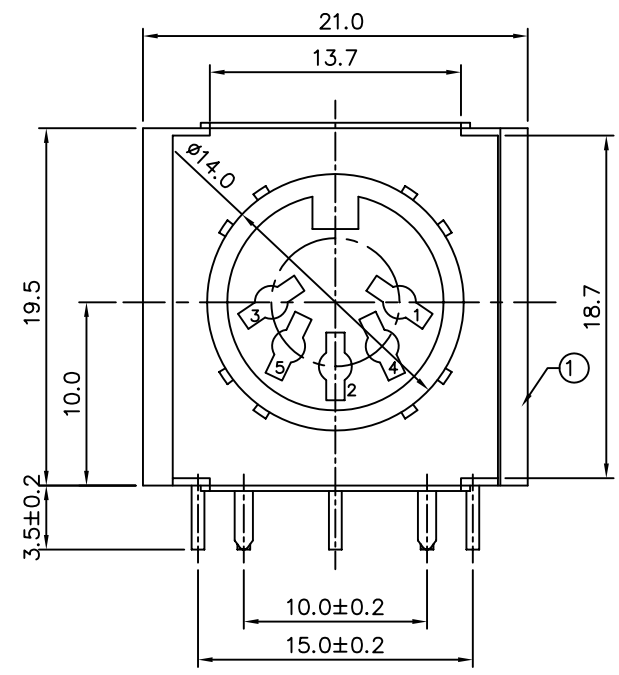


SPECIFICATIONS
 Rating: DC 50V 1.0A
 Contact Resistance: 30 Milliohms Max.
 Insulation Resistance: 100 Megohms Min.(DC 250V)
 Withstand Voltage: 500V AC
 Insertion And Extraction Force: 5-35N
 Life Test: 1000 Cycles



P.C.B Layout
Top View

4	Contact Foot	1	Bronze	Ni-Plating
3	Contact Foot	5	Bronze	Ag-Plating
2	Cover	1	PBT	
1	Housing	1	PBT	
No.	Description	Q'ty	Material	Plating

AUK A MEMBER OF AUK GROUP
太聯事業股份有限公司
AUK CONTRACTORS CO., LTD.

CATEGORY		APPROVED BY		UNLESS OTHERWISE SPECIFIED TOLERANCES ARE 0.0~<10.0 ±0.10 10.0~<20.0 ±0.15 20.0~<50.0 ±0.20 ANG. ±1.5°						
PART No. DJ05M		MEI								
DRAWING No. DJ05M		CHECKED BY BECKY								
		DRAWING BY HZF								
SCALE	NONE	REV.	A0	UNIT	mm	NO.	REV.	REVISIONS	CHK	DATE
						△ A0		NEW RELEASE	BECKY	02/06/2006