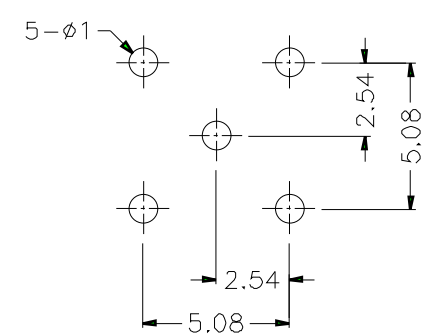
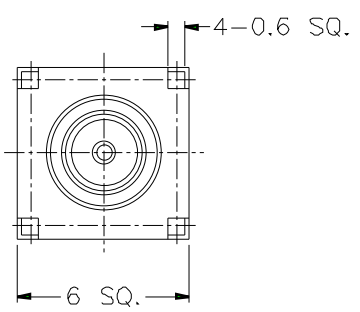
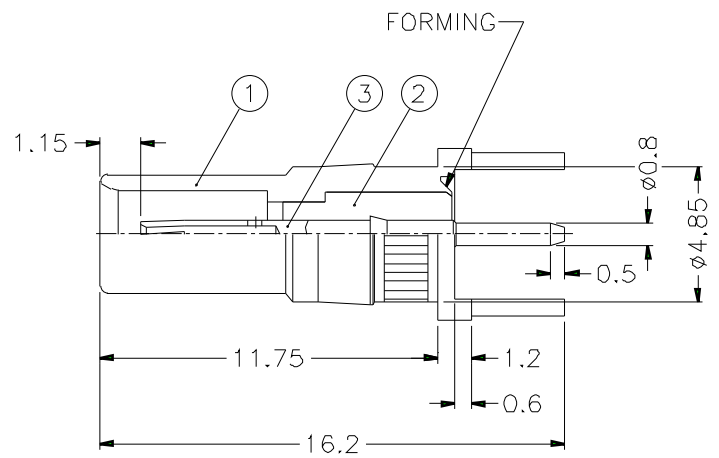


| | | | | | | | | | | | | | | | | | | | | | | | |
|-----------|------|------------------------------|---|--|--|---|--|--|---|--|--|---|--|--|---|--|--|---|--|--|---|--|--|
| 1 | | | 2 | | | 3 | | | 4 | | | 5 | | | 6 | | | 7 | | | 8 | | |
| REVISIONS | | | | | | | | | | | | | | | | | | | | | | | |
| ISS | ZONE | DESCRIPTION\PER REQUEST\DATE | | | | | | | | | | | | | | | | | | | | | |
| | | | | | | | | | | | | | | | | | | | | | | | |



PCB MOUNTING HOLE

- CONNECTOR ACCORDING TO DIN 41-626
 - PACKAGING IN TRAY (QTY: 100) WITH COMMERCIAL PART NUMBER AND DATE CODE

DIMENSIONS ARE IN MILLIMETERS

| | | | |
|----------|------|-------------|--|
| PART NO. | | 102 247 02H | |
| APPROVED | DATE | 10-11-01' | |
| CHECKED | DATE | 10-11-01' | |
| DRAWN | DATE | 10-11-01' | |
| FILE NO. | | | |

| | |
|-----------------------------------|--|
| Amphenol | |
| TITLE 1.0/2.3 PCB RECEPT. JACK | |
| DRAWING NO. | |
| ITEM NO. | |

| | | | | | |
|-----|-------------|----------|---------|------|-------------|
| 3 | CONTACT PIN | BECU | GOLD | 1 | |
| 2 | INSULATOR | TEFLON | NATURAL | 1 | |
| 1 | BODY | BRASS | GOLD | 1 | |
| NO. | DESCRIPTION | MATERIAL | FINISH | Q'TY | DRAWING NO. |

| | | | |
|-------|-----|-------|---|
| SCALE | 4/1 | ISSUE | A |
|-------|-----|-------|---|

