

4130-0001

NOTES:

1. MATING:

Interface Dimensions per Mil-C-39012/TNC Series and Solitron/Microwave MD-108.

2. MATERIALS:

All Metal parts except Contact: Brass per QQ-B-626, Comp. 22.

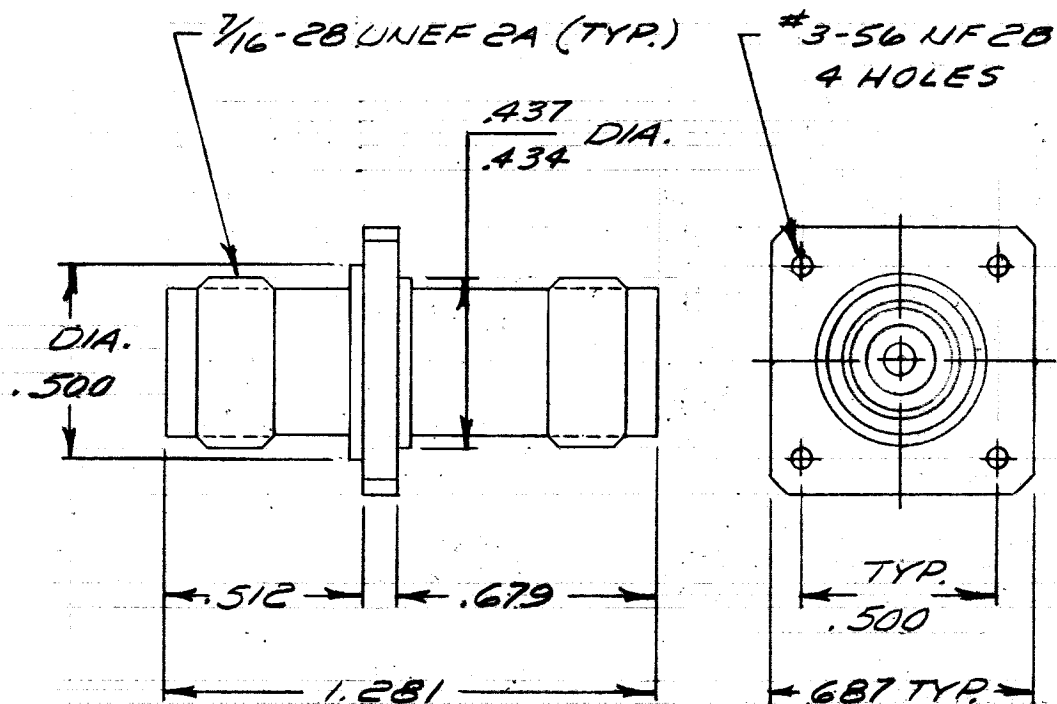
Contact: Beryllium Copper per QQ-C-530, Cond. HT.

Dielectric: Teflon per Mil-P-19468A.

3. FINISH:

All Metal parts except Contact: Silver .0002 min., per QQ-S-365, Type II, Grade A.

Contact: Gold per Mil-G-45204, Type II, over Copper per Mil-C-14550, Class 4.



SYM	DESCRIPTION	DATE	APPR.	UNLESS OTHERWISE SPECIFIED			SOLITRON/MICROWAVE			ENGINEERING DATA DRAWING
A	REV. F 5770	3/28/77	DGG	1. REMOVE ALL BURRS 2. BREAK ALL CORNERS & EDGES .005 R MAX. 3. CHAMFER 1ST & LAST THREADS 45° 4. SURFACE ROUGHNESS 63 ✓ MIL-STD-10 5. DIAMETERS ON COMMON CENTERS TO BE CONCENTRIC WITHIN T.I.R. 6. ALL DIMENSIONS ARE AFTER PLATING			PORT SALERNO, FLORIDA			TITLE
				DIMENSIONS ARE IN INCHES TOLERANCES			NOTE 2			TNC STRAIGHT
				DECIMALS	FRACTIONAL	ANGULAR	FINISH			PANEL
				.X ± .030		X° ± 1'0"	NOTE 3			ADAPTER
				.XX ± .015	± 1/64		SCALE	CODE IDENT. NO.	SIZE	DRAWING NO.
				.XXX ± .005		X'X' ± 15'	-	95077	A	4130-0001
				DRAWN JJD	DATE 3/28/77					SHEET 1 OF 2
				CHECKED	DATE					
				APPROVED DGG	DATE 3/28/77					

"DESIGN CRITERIA"

4130-0001

REQUIREMENT	RATING	REQUIREMENT	RATING
Nominal Impedance (ohms)	50	Vibration	MIL-STD-202 method 204 Cond. D (20G's)
Frequency Range (ghz)	DC-15.0		
Voltage Rating (max. vrms)	500	Shock	MIL-STD-202 method 213 Cond. I (100G's)
Temperature Rating (degrees centigrade)	-65 To +165		
VSWR (max.)	1.07+.010 xFGHZ	Temperature Cycling	MIL-STD-202 method 102 - Cond. C (-65°C To + 200°C)
Insertion Loss (dB max.)	.04 x√FGHZ		
RF Leakage (min. dB down)	100 dB-FGHZ	Corrosion	MIL-STD-202 method 101 Cond. B (48 hrs.)
RF High Potential (max. vrms)	1000 AT 5MHZ		
Dielectric Withstanding Voltage (max. vrms)	1500	Moisture Resistance	MIL-STD-202 method 106 less step 7b
Insulation Resistance (min. megohms)	5000		
Contact Resistance Center Contact (max. milliohms) Outer Contact (max. milliohms)	1.5 0.2	Barometric Pressure (Altitude)	MIL-STD-202 method 105 Cond. C (70,000 ft.) (375 vrms)
Center Contact Axial Forces Insertion (max. ounces) Withdrawal (min. ounces)	24 2		
Connector Durability (min. cycles)	500	Hermeticity	N/A
Connector Engagement & Disengagement (max. inch lbs.)	2.0		

REMARKS: 1.) RECOMMENDED MATING TORQUE: 30-35 INCH POUNDS.

TITLE TNC STRAIGHT PANEL ADAPTER	SOLITRON/MICROWAVE PORT SALERNO, FLORIDA	SHEET 2 OF 2	DRAWING NO. 4130-0001	REV A
-------------------------------------	----------------------------------------------------	--------------	--------------------------	----------