

# Gold Capacitor Series NF

## Features

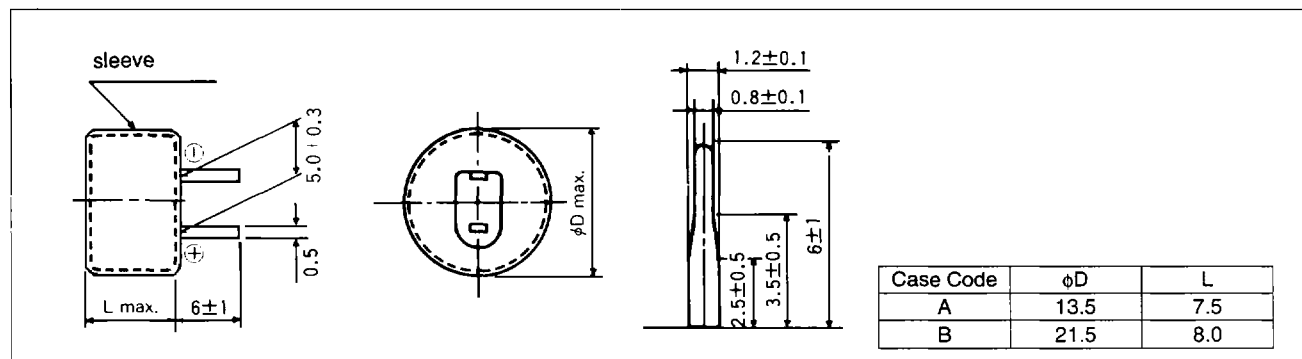
- IC memory back-up device ( $\mu\text{A}$  range load)
- Large capacitance for long time back-up
- General purpose
- 5mm terminal spacing



## Specifications

Item	Performance Characteristics		
Operating Temperature Range	-25 to +70 °C		
Rated Working Voltage	5.5 V DC		
Nominal Capacitance Range	0.022 F to 1.0 F		
Capacitance Tolerance	-20% to +80% (+20 °C)		
Internal Resistance	Refer to "Standard products table" for each value		
Characteristics at High and Low Temperature	-25 °C & +70 °C	Capacitance change	$\pm 30\%$ of the measured value at +20 °C
	-25 °C	Internal resistance	$\leq 5$ times the measured value at +20 °C
Endurance	The capacitor shall meet the following limits after 1000 hours application of 5.5 V DC at +70 °C Capacitance change : $\pm 30\%$ of the initial measured value Internal resistance : $\leq 4$ times the initial specified value		
Shelf Life	The capacitor shall meet the limits for "Endurance" after 1000 hours exposure at +70 °C with no voltage applied.		
Moisture Resistance	The capacitor shall meet the limits specified for "Endurance" after 500 hours exposure at +55 °C/90 to 95% R.H. with 5.5 V DC applied.		

## Dimensions in mm (not to scale)



## Standard Products

Rated working voltage [V.DC]	Nominal capacitance [F]	Part number	Internal resistance [ $\Omega$ ] at 1kHz	Case code
5.5	0.022	EECF5R5U223	$\leq 150$	A
	0.047	EECF5R5U473	$\leq 120$	A
	0.1	EECF5R5U104	$\leq 75$	A
	0.22	EECF5R5U224	$\leq 75$	A
	0.47	EECF5R5U474	$\leq 30$	B
	1.0	EECF5R5U105	$\leq 30$	B