

MAS281

MIL-STD-1750A MICROPROCESSOR

The MAS281 Microprocessor is a MIL-STD-1750A (Notice 1), 16-bit Central Processing Unit (CPU). It consists of three CMOS/SOS large-scale integration (LSI) chips: the MA17501 Execution Unit (EU), the MA17502 Control Unit (CU), and the MA17503 Interrupt Unit (IU). These three units can be mounted on, and interconnected within a 64-pin ceramic substrate. The microprocessor is also available as a 3-chip set without the ceramic substrate (see ordering information on page 55).

The MAS281 is optimised for real-time I/O and arithmetic intensive operations. Key performance-enhancing features include a parallel multiplier/accumulator, 32-bit barrel shifter, instruction pre-fetch queue, and multiport register file. Additional features include a comprehensive Built-In-Test (BIT), interval timers A and B, trigger-go counter, and Start-Up ROM interface.

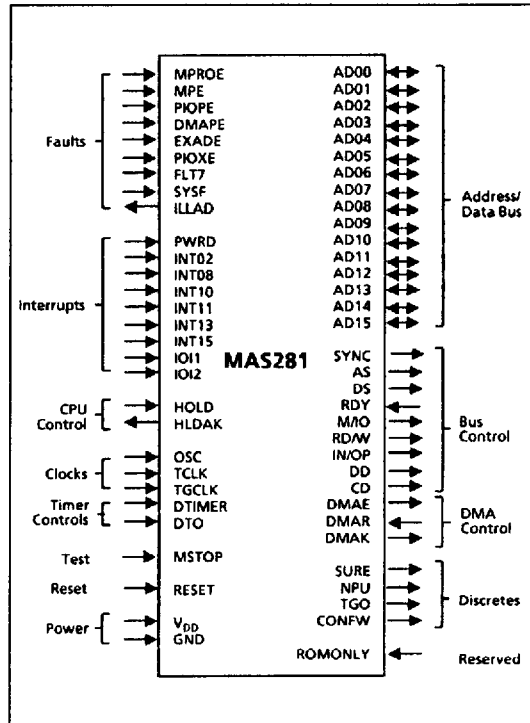
In accordance with MIL-STD-1750A, the MAS281 supports a 64K-word address space. An optional BMA31751 Memory Management Unit/Block Protect Unit (MMU(BPU)) chip may be added externally to expand this address space to 1M-words or add a 1K-word memory block protection capability.

The MAS281 is offered in several screening grades which are described in this document. For availability of speed grades, please contact GEC Plessey Semiconductors.

FEATURES

- MIL-STD-1750A 16-Bit Microprocessor
- Full Performance over Military Temperature Range (-55°C to + 125°C)
- Radiation Hard CMOS/SOS Technology
- Performance Optimised Architecture
 - Parallel Multiplier/Accumulator
 - 32-bit Barrel Shifter
 - Instruction Pre-Fetch
 - Multi-Port Register File
- Implements MIL-STD-1750A Options
 - Timers A and B
 - Trigger-Go Counter
 - Start-Up ROM Interface
- 64 K-word Address Space Expandable to 1 M-word with Optional MMU

BLOCK DIAGRAM



1.0 ARCHITECTURE

The MAS281 Microprocessor is a high performance implementation of the MIL-STD-1750A (Notice 1) instruction set architecture. It consists of three custom CMOS/SOS Large Scale Integration chips referred to as the Execution Unit, Control Unit, and Interrupt Unit - mounted on, and interconnected within, a 64-pin, dual in-line ceramic substrate. Figure 1 depicts the interconnection of these chips via the substrate while Figure 2 depicts the architectural details within each chip.

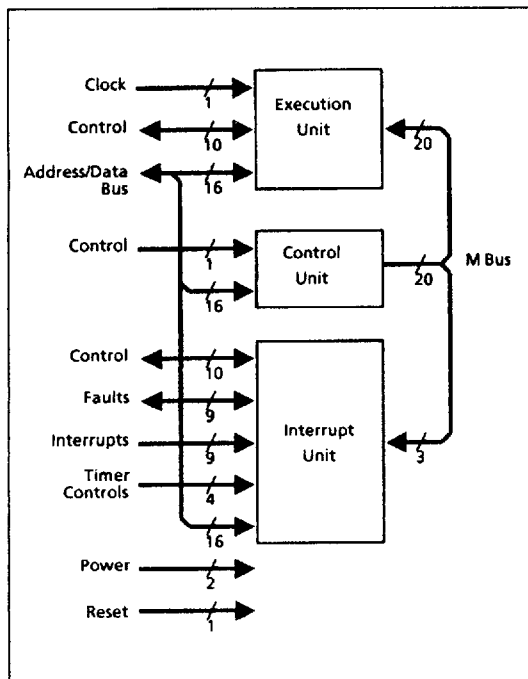


Figure 1: MAS281 Microprocessor Block Diagram

The MAS281 architecture has been optimised for both real time I/O and arithmetic intensive operations. Two key features of this architecture which contribute to the overall high performance of the MAS281 are; a barrel shifter and a parallel multiplier/accumulator. These subsystems allow the MAS281 to perform multi-bit shifts, multiplications, divisions, and normalisations in a fraction of the clock cycles required on machines not having such resources. This is especially true of floating-point operations, in which the MAS281 excels. Such operations constitute 16% of the Digital Avionics Instruction Set (DAIS) mix and a generally much higher percentage of many signal processing algorithms, therefore having a significant impact on system performance.

In accordance with MIL-STD-1750A, the MAS281 can access a 64K-word address space. With the addition of an external MA31751 chip configured as a Memory Management

Unit (MMU), this address space may be expanded to a full 1Mword. Furthermore, this configuration provides write and access lock and key protection down to 4K-word blocks. By also configuring the MA31751 as a Block Protect Unit (BPU), write protection may be extended down to 1K-word blocks. For those applications not requiring adherence to the address space requirements of MIL-STD-1750A, the MAS281 may be optionally configured with up to 1Mword each of instruction and operand space.

In addition to implementing all of the required features of MIL-STD-1750A, the MAS281 also incorporates a number of optional features. Interval timers A and B as well as a trigger-go counter are provided. Most specified XIO commands are decoded directly on the module and an additional set of commands, associated with MMU and BPU operations, are directly decoded on the MA31751 chip. Those commands not directly decoded are output for decoding by external logic in accordance with the XIO and VIO protocols of MIL-STD-1750A.

1.1 EXECUTION UNIT (EU)

The EU provides the computational resources for the MAS281. Key features include: (1) a three-bus (R, S, and Y) data path consisting of an arithmetic/logic unit (ALU), three-port register file, barrel shifter, parallel multiplier/accumulator, and status register; (2) instruction fetch registers IC, IA, and IB; (3) operand transfer registers A, DI, and DO; (4) a state sequencer; and (5) microinstruction decode logic. A brief description of these features follows:

1.1.1 ARITHMETIC/LOGIC UNIT (ALU)

A full function 16-bit ALU is used to perform arithmetic and logic operations on one or two 16-bit operands in a single machine cycle. The ALU supports 16-bit fixed-point single-precision, 32-bit fixed-point double-precision, 32-bit floating-point, and 48-bit floating-point extended precision data in two's complement form. The ALU generates several machine flags which reflect the outcome of its operations. These flags are stored in the condition status (CS) field of the status register.

1.1.2 THREE PORT REGISTER FILE

A 24-word by 16-bit wide register file is used to store operands, addresses, base pointers, stack pointers, indexes, and temporary values. Registers R0 through R15 are general purpose and user accessible in accordance with MIL-STD-1750A; remaining registers are accessible only by microcode. Wrap-around concatenation of R0 through R15 allows 32- and 48-bit operands to be stored. The three-port architecture allows two 16-bit operands to be read and a third 16-bit operand to be written simultaneously.

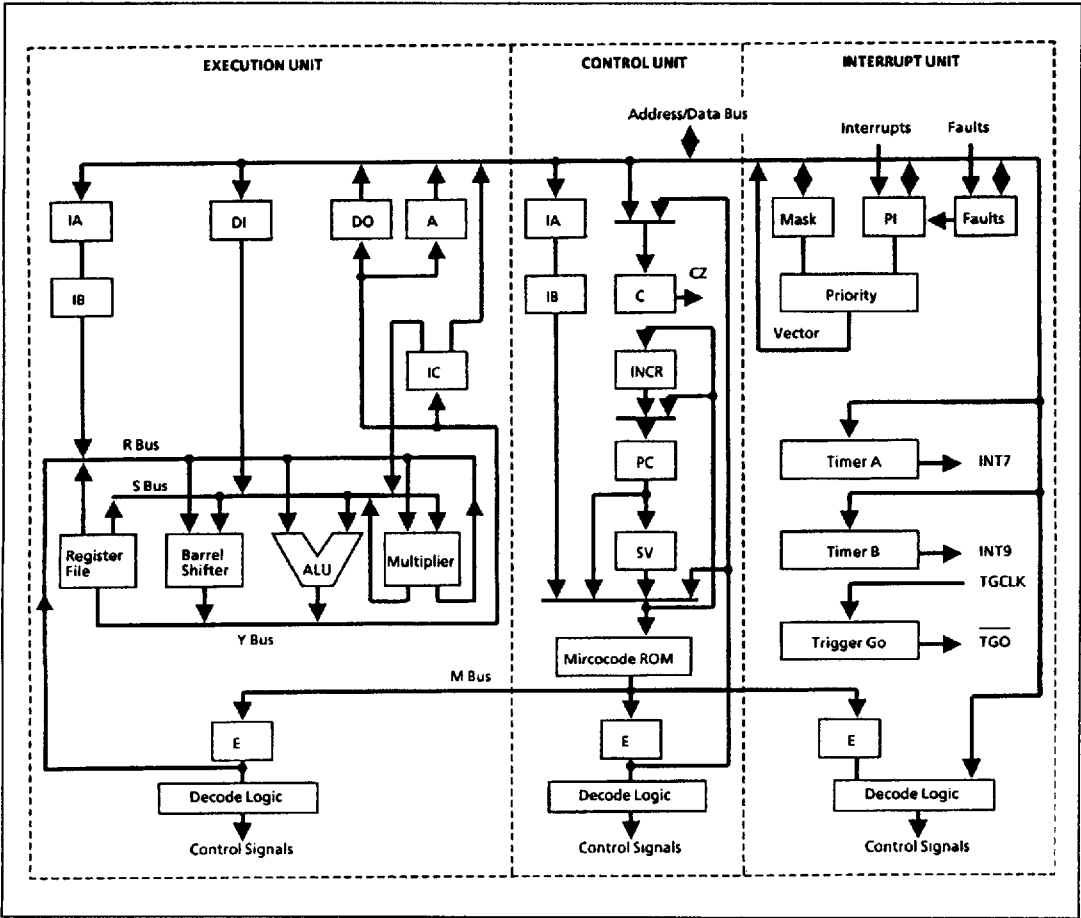


Figure 2: MAS281 Architecture

1.1.3 PARALLEL MULTIPLIER/ACCUMULATOR

This multiplies a 24-bit multiplicand by a 4-bit multiplier and accumulates the product in a single machine cycle. Only four iterations through the multiplier are required to complete a 16-bit by 16-bit multiply.

1.1.4 BARREL SHIFTER

This shifter is a 32-bit input, 16-bit output right-shift network. The barrel shifter allows multibit shifts to be accomplished in a single machine cycle and is used by the microcode for all shift, rotate, and normalise operations.

1.1.5 STATUS REGISTER

This 16-bit register holds the condition status (CS) bits C, P, Z, and N; the 4-bit address state (AS) field; and the 4bit processor state (PS) field. The CS bits are updated after each logical, shift, and arithmetic operation performed by the ALU. The CU interrogates these bits during conditional

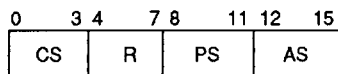
operations to determine which course of action to follow. The AS field is used during expanded memory access to define the page register set to be used for instruction and operand memory references. The PS field is used during memory protect operations to define the access key used for memory accesses. The PS field is also used during execution of privileged instructions. PS must be zero for such operations to be legal. Figure 3 depicts the status register format

1.1.6 STATE SEQUENCER

The EU utilises a state machine, clocked by the system oscillator, to generate processor timing and control signals. These signals constitute the lowest level of control available within the module, and provide the framework for basic operations, such as selecting the next microinstruction to be executed, sequencing bus control signals to effect a memory transfer, or performing an operation within the ALU. Each complete pass through the state machine corresponds to one such operation and constitutes a machine cycle.

A machine cycle requires five or more oscillator cycles with the exact number determined by the type of operation being performed. Internal processor operations, excluding internally decoded XIO commands, require either five or six oscillator cycles, the former associated with sequential microcode execution and the latter with microcode branches. Internally decoded XIO commands require a minimum of six oscillator cycles to complete. External processor operations require a minimum of five oscillator cycles to complete.

The internal ready signal is generated by the IU whenever an internally decoded XIO command is detected. An external ready interface is provided which allows external machine cycles to be extended when interfacing with slow devices. The external ready signal is provided by external logic and must be asserted in order to conclude the machine cycle.



Field	Bits	Description
CS		CONDITION STATUS: 0 C- Carry from an addition or no borrow from a subtraction 1 P- Result >0 2 Z- Result = 0 3 N- Result <0
R	4 - 7	RESERVED
PS	8 - 11	PROCESSOR STATE: (a)- Memory access key code (b)- Privileged instruction enable
AS	12 - 15	ADDRESS STATE: Page register sets for expanded memory addressing

Figure 3: Status Word Format

1.1.7 OPERAND TRANSFER REGISTERS

The Address (A), Data In (DI), and Data Out (DO) registers serve to buffer transfers between the data path and the Address/Data (AD) bus. These registers are used under microcode control and are not directly accessible by software. A description of the use of these registers during memory and I/O operations is provided in section 3.0.

1.1.8 INSTRUCTION FETCH REGISTERS

The Instruction Counter (IC), Instruction A (IA), and Instruction B (IB) registers allow sequential instruction fetches to be performed without the assistance of the ALU. The IC register, which holds a 16-bit address and points to the next instruction to be fetched, is loaded indirectly via reset, jump, or branch operations. Once loaded, it uses a dedicated counter to sequence from one instruction to the next. IA and IB serve as an instruction pipeline with IA storing the next instruction to be executed. DI also plays a role by storing any immediate operands. Use of these registers during instruction fetches is described in section 3.0.

1.1.9 MICROCODE CONTROL LOGIC

All EU operations are performed under microcode control. As depicted in Figure 2, microinstructions are provided by the CU over the M bus, buffered by the Execution (E) register, and decoded to generate various control signals.

1.2 CONTROL UNIT (CU)

The CU provides microprogrammed control of all MAS281 operations. It features a microsequencer, a microcode storage ROM, and an instruction mapping ROM. A brief description of these features follows:

1.2.1 MICROSEQUENCER

This 12-bit wide microcode address generator controls all microcode ROM accesses. The microsequencer features a program counter (PC) which points to the next sequential microinstruction, a program counter save register (SV) to save return addresses for microsubroutines, address increment logic (INCR), instruction pipeline registers (IA and IB), a next address multiplexer, a loop counter (C), and various miscellaneous systems.

The microsequencer controls the execution of each MILSTD-1750A, or macro, instruction by stepping through its corresponding microcode sequence. If the macroinstruction is a conditional, the CS bits of the status word will be interrogated to determine the necessary course of action. At the completion of each macroinstruction, the microsequencer checks to see if a Hold request or an interrupt is pending. If so, the microsequencer will branch to the appropriate microinstruction sequence. If not, the microsequencer begins sequencing the next macroinstruction.

Note that the microsequencer is itself under the control of the EU state sequencer. Each processor machine cycle corresponds to the execution of a single microinstruction.

MAS281

1.2.2 MICROCODE ROM

This is a 2k- (2048) word by 40-bits/word ROM which stores the microinstructions that implement the MIL-STD-1750A instruction set. The address of the next microinstruction to be accessed is generated by the microsequencer. The accessed microinstruction is output to the M-bus and broadcast to the EU and IU. In addition to the microinstruction sequences corresponding to the MIL-STD-1750A instructions, the microcode ROM also stores sequences for performing initialisation, interrupt response, Hold response, instruction prefetch, built-in-test (BIT), and BIFs.

1.2.3 INSTRUCTION MAPPING ROM

This is a 512-word by 8-bits/word ROM which is used during microcode branches.

1.3 INTERRUPT UNIT (IU)

The IU incorporates a pending interrupt register, a mask register, a priority encoder, a fault register, two interval timers (A and B), a trigger-go counter, XIO command decode logic, and microcode control logic. A brief description of these features follows:

1.3.1 PENDING INTERRUPT REGISTER (PI)

This 16-bit register is used to capture and hold interrupts until they can be processed by software. PI supports three dedicated external, six user-definable external, and seven dedicated internal interrupts. Interrupts are captured at the beginning of each machine cycle and are stored using a logic 1 to represent a pending interrupt. Anti-repeat logic is provided to prevent multiple captures of the same interrupt.

1.3.2 MASK REGISTER (MK)

This 16-bit register is used to store the interrupt mask. Interrupts are masked by ANDing each mask bit with its corresponding PI register bit. Interrupts which are masked will be captured in the PI register but will not be acted on until unmasked. Interrupt level 0 can not be masked. A logic 0 in a given bit position indicates that the corresponding bit in the PI register will be masked.

1.3.3 PRIORITY ENCODER

This encoder generates an interrupt request to the CU whenever one or more unmasked interrupts are pending and enabled in the PI and encodes the highest priority unmasked pending interrupt as a 4-bit vector. This vector is read by the EU over the AD bus during interrupt servicing in order to create the interrupt Linkage and Service pointers.

1.3.4 FAULT REGISTER

This 16-bit register is used to capture and hold both internal and user implemented external faults. Faults are captured at the beginning of each machine cycle and are stored using positive logic, i.e., a logic "1" represents a fault. Setting any one

or more faults in FT will cause a level 1 (machine error) interrupt request. Once a fault is set in FT, it may only be cleared via an XIO command.

1.3.5 TIMERS A AND B

These are two 16-bit software controllable timers. Timer A is clocked by the TCLK input while Timer B is clocked by the internally generated TCLK/10. Timers A and B will generate interrupt levels 7 and 9, respectively, when their maximum counts of 65,536 are reached.

1.3.6 TRIGGER-GO COUNTER

This 16-bit counter is clocked by the TGCLK input, is enabled during system initialisation, and may be reset but not stopped by software action. It is stopped, however, upon overflow or by assertion of the DTIMERN input. Upon overflow, the TGON discrete output goes low and stays low until the counter is reset by software. This counter is typically used as a system "watchdog" timer.

1.3.7 XIO COMMAND DECODE LOGIC

This logic decodes all internally supported XIO commands and generates the control signals necessary to carry out the commanded action. An internal ready signal is generated upon command detection and is used by the EU state sequencer as previously discussed. Table 7b in Section 4.0 identifies the XIO commands which are internally supported by the MAS281.

1.3.8 MICROCODE CONTROL LOGIC

Decode logic, which translates microcode received from the CU into control signals, is used both by the MAS281 and by the external system.

2.0 INTERFACE SIGNALS

2.1 PIN ASSIGNMENTS

Figure 4 defines the pin assignment for the MAS281 module. See section 10.0 for full packaging and pin assignment information.

All signals - with the exception of power, ground and ROMONLYN - are TTL compatible. In addition, each function is provided with Electrostatic Discharge (ESD) protection circuitry. Figure 5 depicts a typical system implementation using many of these signals. Throughout this data sheet, active low signals are denoted either by placing a bar over the signal name, or by following the signal name with an "N" suffix, e.g., DDN. If a signal has a dual function, both function names will be used separated by a "/". The function name to the left of the "/" will be active high while the function to the right will be active low, again with an "N" suffix, e.g., RD/WN.

2.2 PIN FUNCTIONS

A description of each pin function follows. The function name is presented first, followed by its acronym and description. Function type is either input, output, high impedance (Hi-Z), or a combination thereof. Full timing characteristics of each of the functions are shown in section 6.0.

2.2.1 POWER AND GROUND (VDD & GND)

The MAS281 utilizes a single VDD power supply. A singlepoint ground is provided for the three chips on the substrate and is brought out on two module pins.

2.2.2 OSCILLATOR (OSC)

This input clocks the EU state sequencer which, in turn, generates timing and control signals for the rest of the module. To minimize skew between OSC edges and signals derived from OSC, and thereby optimize system performance, the OSC rise and fall times should be minimised. It is recommended that a clock driver with a high drive capability, such as a 54AS244, 54ALS244 or 54HST244, be used.

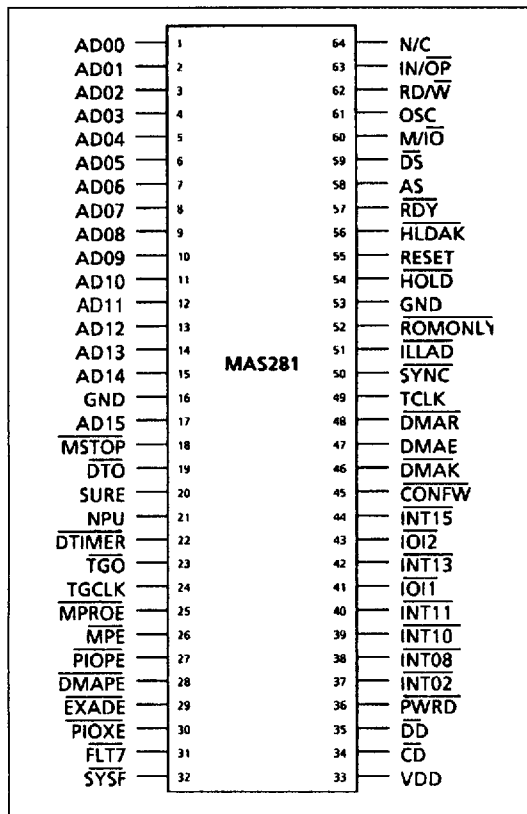


Figure 4: Pin Assignments

2.2.3 SYNCHRONIZATION CLOCK (SYNC)

This active low output transitions from high to low to signal the start of a new machine cycle. It should be used as a timing reference for those operations which must be synchronized to the basic machine cycle.

SYNCR cycles associated with external memory or I/O bus transactions are a minimum of five OSC periods in duration and may be extended by inserting wait states via the external ready interface. For such cycles, a SYNCR low indicates that either an address or XIO command is on the AD bus; a high indicates data is on the bus. Wait states extend the high state of SYNCR.

SYNCR cycles associated with internal CPU operations, are either five or six OSC periods in duration. Six OSC periods are required for machine cycles associated with microcode branches or with the execution of internally decoded XIO commands. Five OSC periods are required for all other internal operations.

[Note: For modules operating at high OSC frequencies, the internal ready logic provided on the IU may cause a wait state to be inserted during execution of internal XIO commands. This would result in a SYNCR cycle of seven OSC periods duration. Though unlikely, this condition must be taken into account in implementing an external ready interface. Refer to the description of the Ready (RDYN) signal below for further details.]

SYNCR continues to cycle during DMA and HOLD states. Such cycles are five OSC periods in duration.

2.2.4 ADDRESS STROBE (AS)

Output/Hi-Z. This active high signal indicates that an address has been placed on the AD bus. This address is guaranteed valid at the high to low transition of AS. AS should be used to strobe an address latch during AD bus demultiplexing. This latch should be a transparent type for optimum performance. AS is placed in the high impedance state during DMA and Hold cycles and is held low during internal (non-XIO) operations.

2.2.5 DATA STROBE (DS)

Output/Hi-Z. This active low signal indicates that the AD bus is being used for data transfers. During read operations, DSN should be used by the selected external device to enable data onto the AD bus. This data is guaranteed valid on the low to high transition of DSN. The selected external device should use the low to high edge of DSN to perform the write. DSN is placed in the high impedance state during DMA and Hold cycles and is held high during internal (nonXIO) operations.

2.2.6 READ/WRITE (RD/W)

Output/Hi-Z. This dual function signal indicates the direction of data flow on the AD bus. A high level indicates a read operation with data being input to the module. A low level indicates a write operation with data being output by the module. RD/WN may be combined with DSN to generate separate read and write strobes. This signal goes valid shortly

after SYNCN goes low to indicate the start of a new machine cycle and remains valid until a new SYNCN cycle is begun, RD/WN is placed in the high impedance state during DMA and Hold cycles.

2.2.7 MEMORY/INPUT-OUTPUT (M/IO)

Output/Hi-Z. This dual function signal indicates the type of transfer of the AD bus that is occurring. A high state identifies memory transfers. A low state identifies I/O transfers. M/ION goes valid shortly after SYNCN goes low to indicate the start of a new machine cycle and remains valid until a new SYNCN cycle is begun. M/ION is placed in the high impedance state during DMA and Hold cycles and is held high during internal (non-XIO) operations.

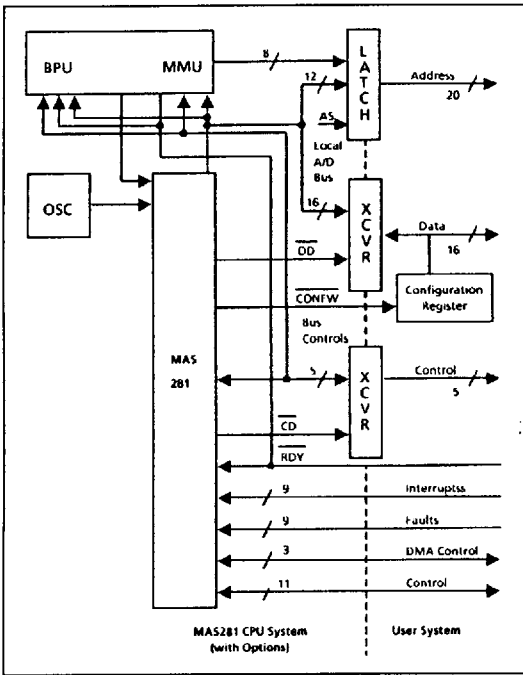


Figure 5: Typical MAS281/MA31751 System Interface

2.2.8 INSTRUCTION/OPERAND (IN/OP)

Output/Hi-Z. This dual function signal indicates the type of data on the AD bus during the data portion of a SYNCN cycle. A high state identifies an instruction while a low state identifies an operand. IN/OPN goes valid shortly after SYNCN goes low to indicate the start of a new SYNCN cycle and remains valid until a new SYNCN cycle is begun. This signal is required during expanded memory accesses. IN/OPN is placed in the high impedance state during DMA and Hold cycles.

2.2.9 ADDRESS/DATA BUS (AD00 - AD15)

Input/Output/Hi-Z. AD00 through AD15 comprise a bidirectional multiplexed address and data bus which serves both as the communication path between the external system and module as well as the communication path among the three chips on the module. It is important to note that the AD bus is shared between the external system and internal module resources. To avoid bus contention during internal operations, the AD bus must be isolated from the external system through the use of a bus transceiver. A data direction signal (DDN) is provided for transceiver control .

Addresses, data and commands appearing on the AD bus are represented in positive logic. A high level indicates a logic 1 and a low level indicates a logic 0. AD00 is the most significant bit position whilst AD15 is the least significant bit position. The AD bus is placed in the high impedance state during the data portion of a read SYNCN cycle as well as during DMA and Hold cycles.

2.2.10 READY (RDY)

This asynchronous active low input is used by the EU state sequencer, in conjunction with the internal ready signal, to determine when the current machine cycle may be completed. By holding RDYN high, wait states may be inserted, stretching out the current machine cycle and allowing slower devices sufficient time to complete their operations.

[Note: If RDYN is held high during two consecutive TCLK high-to-low transitions (with DSN low), a bus timeout fault will occur and will be indicated in the appropriate bit in the fault register. The occurrence of this fault will cause the EU state sequencer to terminate the current machine cycle, drop SYNCN low, and begin a new machine cycle. Also, the presently executing macroinstruction will be aborted and execution will branch, unless masked, to the machine error interrupt (level 1) software routine. The DTON signal may be used to override this feature.]

2.2.11 CONTROL DIRECTION (CD)

This active low output goes high to indicate the module is driving the AS, DSN, M/ION, RD/WN and IN/OPN signals. During DMA and Hold cycles, this signal goes low to indicate the module has relinquished control of these signals and has placed them in the high impedance state. The DMA or Console controller, respectively, may then drive these signals. This signal should be used to control the transfer direction of the control signal transceiver.

2.2.12 DATA DIRECTION (DD)

This active low signal indicates the direction of data transfer on the AD bus. This signal goes high to indicate a write transfer from the module to the external system. It also goes high during all internal module operations. DDN goes low to indicate a read transfer from the external system to the module. It also goes low during DMA and Hold cycles as well as during configuration register reads.

[Note: In addition to going high during the execution of internally implemented XIO commands, DDN also goes high

during execution of XIO commands which are implemented in the MA31751 MMU(BPU) chip.

If an MA31751 is used with the MAS281, it must reside on the MAS281 local AD bus rather than the system buses (see Figure 5). Table 7b in Section 4.0 identifies those XIO commands which are implemented in the MA31751].

2.2.13 DIRECT MEMORY ACCESS ENABLE (DMAE)

This active high output goes high in response to the DMAE XIO command. A high state indicates DMA requests will be acknowledged; a low state indicates a DMA request will be ignored.

2.2.14 DIRECT MEMORY ACCESS REQUEST (DMAR)

A low on this asynchronous active low input will cause the processor to suspend internal operations at the end of the current machine cycle. This request will only be acknowledged by the module when DMAE is high.

2.2.15 DIRECT MEMORY ACCESS ACKNOWLEDGE (DMAK)

This active low signal goes low in response to a DMA request if DMAE is high. A low state grants use of the system buses to the requesting DMA device by placing the module's AD bus, AS, DSN,RD/WN, M/ION and IN/OPN drivers into the high impedance state and by pulling CDN and DDN low. The high-to-low transition is synchronized to the falling edge of SYNCN to ensure that the current machine cycle is completed before the DMA device is granted the bus. DMAKN will remain low until the requesting device raises DMARN.

2.2.16 HOLD REQUEST (HOLD)

A low on this asynchronous active low input will cause the module to suspend internal processor functions at the end of the currently executing MIL-STD-1750A instruction. A Hold state is also entered if the processor encounters a breakpoint (BPT) instruction and the configuration word indicates the presence of a Console (bit 15 = 0).

[Note: Hold should be synchronised to the AS signal.]

2.2.17 HOLD ACKNOWLEDGE (HLDK)

This active low output goes low either upon completion of the MIL-STD-1750A instruction during which HOLDN went low or if the processor encounters a breakpoint (BPT) instruction with Console present indicated in the configuration word register. A low on this signal indicates to the requesting device that that the module AD bus, AS, DSN, M/ION, RD/WN, and IN/OPN drivers have been placed in the high impedance state. The Hold state is terminated either by raising HOLDN high or, in the case of a BPT caused Hold, by pulsing HOLDN low and high again (see Section 6.0).

2.2.18 SYSTEM RESET (RESET)

This asynchronous active high input should be raised high to reset the module. The high-to-low transition of this input will start the module's initialization.

2.2.19 START-UP ROM ENABLE (SURE)

This active high output goes high during initialization and may also be asserted by software with the ESUR XIO command. This signal remains high until removed by software via the DSUR XIO command. When a Start-Up ROM is present, this signal should be used to qualify its chip select or output enable input such that the ROM may be accessed only when SURE is high.

[NOTE: Instruction pipelining must be considered in transitioning from Start-Up ROM to RAM when using the DSUR XIO command. If a system overlays RAM with the Start-Up ROM and transitions to execution from RAM by simply executing DSUR from the ROM, then IA will contain the value stored in the ROM location immediately following DSUR. This value will be treated as an instruction and the module will attempt to execute it. In such cases, it is recommended that DSUR be followed by an unconditional branch instruction with offset, i.e., the BR instruction. An alternative approach is simply to jump to a portion of RAM not overlaid by the Start-Up ROM and execute DSUR from RAM.]

2.2.20 CONFIGURATION WORD (CONFW)

This active low output goes low when the module reads the external configuration register and should be used as that register's output enable strobe (see Section 6.0). Table 1 defines the required format of the configuration register. A zero in a given bit position indicates the specified device is present. Bits 0 through 11 are not used by the module.

The configuration register is read during initialization to determine the system configuration. It is also read whenever a (BPT) instruction is executed to determine the presence of a Console. If a console is not present, a BPT will be interpreted as a NOP. DDN goes low during a configuration register read. Thus, the configuration register must reside on the system AD bus rather than the local AD bus (see Figure 5).

2.2.21 NORMAL POWER UP (NPU)

This active high output is dropped low during module initialization as the first step of BIT. If BIT is successful, NPU goes high and remains high until reset by software via the RNS XIO command. NPU cannot be set high by software.

2.2.22 TIMER CLOCK (TCLK)

This clock input is used by interval timers A and B as well as the interface fault timer. Timer A is clocked at the TCLK frequency while timer B is clocked at a frequency of TCLK/10. MIL-STD-1750A requires that this input be a 100kHz pulse train.

Bit	Device
15	Console
14	MMU
13	BPU
12	Output Discrete Register
11-0	Unused

Table 1: Configuration Register Bit Assignment

2.2.23 TRIGGER-GO CLOCK (TGCLK)

This clock input is used by the internal 16-bit trigger-go counter. The trigger-go counter counts at the same frequency as TGCLK.

2.2.24 TRIGGER-GO DISCRETE (TGO)

This active low output goes low whenever the trigger-go counter overflows, i.e., the counter rolls over to 0000. It returns to the high state when the trigger-go counter is reset by software via the GO XIO command.

2.2.25 DISABLE TIMER (DTIMER)

A low on this active low input disables timers A and B as well as the trigger-go counter. A low also disables DMA access by forcing DMAE low and DMAKN high. Raising DTIMERN allows timers A and B and the trigger-go counter to resume counting from the value at which they were stopped. A high also allows normal DMA operation.

2.2.26 DISABLE TIMEOUT (DTO)

A low on this active low input will reset and disable the bus fault timeout circuitry.

2.2.27 POWER DOWN INTERRUPT (PWRD)

A low on this active low input is captured in the PI register by a SYNCN high-to-low transition. This sets pending interrupt 0. This is the highest priority interrupt and cannot be masked or disabled.

2.2.28 USER INTERRUPTS (INT02,08,10,11,13 AND 15)

A low on any of these active low inputs will be captured in the PI register by a SYNCN high-to-low transition and will set pending interrupt levels 2, 8, 10, 11, 13, and 15, respectively. Level 2 is the highest priority user level while level 15 is the lowest priority. These interrupts are maskable and can be disabled. Unused inputs should be pulled up to VDD.

[NOTE: The INTO2 service routine should clear the PI Register using the RPI 0002 instruction.]

2.2.29 I/O DEDICATED INTERRUPTS (IOI1 & IOI2)

A low on either IOI1N or IOI2N will be captured in the PI register by a SYNCN high-to-low transition and will set pending interrupt levels 12 and 14, respectively. Unused inputs should be pulled up to VDD.

[NOTE: Interrupt levels 1, 3, 4, 5, 6, 7, and 9 are dedicated to internal machine interrupts.]

2.2.30 MEMORY PROTECT ERROR (MPROE)

A low on this active low input, captured by the SYNCN high-to-low transition, is used to inform the module that an access fault, execute protect, or write protect violation has been detected. Bit 0 of the module Fault Register (FT) is set if this signal goes low during a memory cycle; bit 1 is set if it goes low during a DMA cycle. Either condition immediately sets pending interrupt level 1 and in the case of a memory cycle error, causes the currently executing MIL-STD-1750A instruction to be aborted.

Although the MAS281 aborts the macroinstruction, system memory management, and / or block protect hardware is responsible for preventing the erroneous bus cycle from accessing memory. To effectively use this feature, MPROEN should be pulled low prior to the high-to-low SYNCN transition of the next machine cycle. This can easily be accomplished by injecting wait states to hold off the DSN rising edge (write cycle) and the SYNCN falling edge (read cycle) until the system protection circuitry can decide whether or not to allow the transaction.

2.2.31 MEMORY PARITY ERROR (MPE)

A low on this active low input, captured by the SYNCN high-to-low transition, is used to inform the module that a parity error has been detected during a memory transfer. Bit 2 of the module Fault Register (FT) is set when this signal goes low. This, in turn, causes pending interrupt level 1 to be set.

2.2.32 PROGRAMMED I/O PARITY ERROR (PIOPE)

A low on this active low input, captured by the SYNCN high-to-low transition, is used to inform the module that a parity error has been detected during an external I/O transfer. Bit 3 of the module Fault Register (FT) is set when this signal goes low. This, in turn, causes pending interrupt level 1 to be set.

2.2.33 DMA PARITY ERROR (DMAPE)

A low on this active low input, captured by the SYNCN high-to-low transition, is used to inform the module that a parity error has been detected during a DMA data transfer. Bit 4 of the module Fault Register (FT) is set when this signal goes low. This, in turn, causes pending interrupt level 1 to be set.

2.2.34 EXTERNAL ADDRESS ERROR (EXADE)

A low on this active low input, captured by the SYNCN high-to-low transition, is used to inform the module that a system address error has been detected. Bit 8 of the module Fault Register (FT) is set when this signal goes low during a

memory fault; bit 5 is set if it goes low during an I/O fault. As with MPROEN, either condition immediately sets pending interrupt level 1 and causes the currently executing MIL-STD-1750A instruction to be aborted .

2.2.35 PROGRAMMED I/O TRANSFER ERROR (PIOXE)

A low on this active low input, captured by the SYNCN high-to-low transition, is used to inform the module that a programmed I/O data transfer error has been detected. Bit 6 of the module Fault Register (FT) is set when this signal goes low. This, in turn, causes pending interrupt level 1 to be set.

2.2.36 FAULT #7 (FLT7)

A low on this active low input, captured by the SYNCN high-to-low transition, sets bit 7 of the Fault Register (FT). This is a user definable fault.

2.2.37 SYSTEM FAULT (SYSF)

A low on this active low input, captured by the SYNCN high-to-low transition, sets bits 13 and 15 of the Fault Register (FT). This is a user definable fault.

2.2.38 ILLEGAL ADDRESS (ILLAD)

This active low output drops low if the EXADEN input drops low or if the bus fault timeout circuit causes an interface timeout.

2.2.39 MICROCODE STOP (MSTOP)

MSTOPN allows microcode to be single-stepped and is reserved for use by GEC Plessey Semiconductors. MSTOPN must be pulled up to VDD in customer applications.

2.2.40 ROM ONLY (ROMONLY)

ROMONLYN is used for testing by GEC Plessey Semiconductors and must be pulled up to VDD in customer applications.

3.0 OPERATING MODES

MAS281 operating modes include: (1) initialisation, (2) instruction execution, (3) interrupt servicing, (4) fault servicing, (5) DMA support, (6) Hold support, and (7) timer operations.

3.1 INITIALISATION

The module executes a microcoded initialisation routine in response to a hardware reset. This routine clears module registers, disables and masks interrupts, reads the configuration register, resets the output discrete register (if implemented), initialises the MMU and BPU (if implemented), performs Built-In-Test (BIT), raises the Start-Up ROM enable discrete, clears and starts timers A and B, resets the trigger-go

counter, and loads the instruction pipeline. Table 2 summarises the resulting initialisation state, and Table 3 provides a detailed breakdown of the initialisation sequence.

BIT consists of five subroutines, as outlined in table 4, and begins by pulling NPU low. This is the first time after reset that NPU is guaranteed low. If all five subroutines execute successfully, NPU is raised high. If any part of BIT fails, an error code identifying the failed subroutine is loaded into the Fault Register (FT), BIT is aborted, and NPU is left in the low state. Table 4 defines the coding of BIT results in FT. In the event of such a failure, the resulting module reset state will be dependent on where in BIT the error occurred and may not be the same as that shown in Table 2. A BIT failure indication in FT will set the level 1 interrupt request bit of the Pending Interrupt (PI) register. Since initialisation disables and masks interrupts, this interrupt request will not be asserted .

The last action performed by the initialisation routine is to load the instruction pipeline. Instruction fetches start at memory location zero and will be from the Start-Up ROM if implemented. Whether BIT passes or not, the processor will begin instruction execution at this point. The system start-up code may include a routine to enable and unmask interrupts in order to detect and respond to a BIT failure.

[NOTE: To complete initialisation and pass BIT, interrupt and fault inputs must be high for the duration of the initialisation routine. Also, timers A and B must be clocked during this interval, i.e., TCLK must be applied.]

MAS281	
Instruction Counter (IC)	Zeroed
Status Word (EU and MMU) (SW)	Zeroed
Fault (FT)	Zeroed
Pending Interrupt (PI)	Zeroed
Mask (MK)	Zeroed
Interrupts	Disabled
DMA Access	Disabled
Timer A	Reset and Started
Timer B	Reset and Started
Trigger-Go Timer	Reset and Started
MMU	
Page Registers	Group 0 Enabled
AL, W, E Fields	Zeroed
PPA Field	Logical to Physical Map
BPU	
Write Protect	Zeroed
Global Memory Protect	Enabled

Table 2: Initialisation State

Label	Cycle	
MAIN	B 1	1. Enable Control of DMAE Output signal
	P	2. -
	B1	3. Clear MAS281 Execution Unit Status Word (SW) Clear Interrupt Mask (MK) (Internal I/O command, SKM 2000H)
	B1	4. Clear Pending Interrupt Register (PI) and Fault Register (FT) (Internal I/O Command, CLIR,2001 H) Clear Instruction Counter (IC)
	P	5. -
	B1	6. Disable Interrupts (Internal I/O Command, DSBL,2003H)
	P	7. -
	B1	8. Clear MMU Status Word (Internal I/O Command, WSW, 200EH) (Note 1)
	P	9. -
	B1	10. Disable DMA Access (Internal I/O Command, DMAD, 4007H)
	P	11. -
	B1	12. Read Configuration Register (Internal I/O Command, RCW, 8400H, CONFVN Drops low per Figure 25, Section 5.0)
	P	13. -
	P	14. -
	B2	15. - (If Output Discrete Register Present, then Continue; Else, Skip to 18.)
	P	(16). -
	I/O	(17). Clear Output Discrete Register (External I/O Command)
	P	18. -
	B2	19. - (If BPU present, then Branch to BPU; else, continue)
	P	20. -
	B2	21. - (If MMU present, then Branch to MMU, Else, Continue)
	P	22. - (Setup Temporary Register to indicate No MMU Present)
	B2	23. - (Branch to MAS281 BIT)
	P	24. -
	B1	25. Enable Start-Up ROM (Internal I/O Command, ESUR,4004H; SURE Raises High per Figure 25, Section 5.0)
	P	26. -
	B1	27. Clear and Start Timer A (Internal I/O Command, OTA,400AH)
	B1	28. Reset the Trigger-Go timer (Internal I/O Command, GO,400BH)
	P	29. -
	B1	30. Clear and Start Timer B (Internal I/O Command, OTB,400EH)
	B2	31. - (Branch to Load Instruction Pipeline Routine)
	M	32. Load data-In register (DI) and instruction Register A (IA) from [IC] Increment IC
	M	33. Load Data-In Register (DI) and Instruction Register a (IA) from [IC] ([IA] Moves to IB), Increment IC, Map Instruction Register B (IB) into Microcode Routine
BPU	P	(1). -
	P	(2). - (Set Loop to Clear Memory Protect RAM)
	I/O	(3). Clear a Location in MPRAM (Internal I/O Command, LMP,50XXH), Increment Address, Do 128 Times
		(4). - (Branch Back to 20)
MMU	P	(1). -
	P	(2). -
	P	(3). - (Setup Loop to Load Instruction Page Registers (IPR) and Operand Page Registers (OPR) with Sequential Values of 0 to 255)
	P	(4). -
	P	(5). -
	I/O	(6). Load a Location in the IPR with the value of the Location Address (Internal I/O Command, WIPR, 51 XYH)
	I/O	(7). Load a Location in the OPR Increment Loaded Value with the Value of the Location Address (Internal I/O Command, WOPR,52XYH)
	P	(8). - (Increment IPR Address)
	P	(9). - (Increment OPR Address- Repeat Loop 14 - 9 1256 Times)
	B2	(10). - (Setup Temporary Register to Indicate MMU Present; Branch back to 23)

Notes:

- This operation is performed whether or not an MMU is present.
- "-" indicates internal CPU operation
- Sequence numbers in "()" are performed only under the stated conditions.
- Each step enumerated above represents a single machine (SYNC) cycle of the type shown in the "Cycle" column.
 "P" indicates a 5 OSC cycle,60% duty cycle, machine cycle.
 "I/O" and "M" indicate a 5 OSC cycle,50% duty cycle, machine cycle.
 "B1" indicates a 6 OSC cycle 50% duty cycle machine cycle.
 "B2" indicates a 6 OSC cycle 66% duty cycle machine cycle

Table 3: MAS281 Initialisation Sequence

3.2 INSTRUCTION EXECUTION

Once initialisation has been completed, the module will begin instruction execution. Instruction execution is characterised by a variety of operations, each one or more machine cycles in duration. Depending on the instruction being executed at the time, these operations include: (1) internal CPU cycles, (2) instruction fetches, (3) operand transfers, and (4) input/output transfers. Instruction execution may be interrupted at the end of any individual machine cycle by DMA operations and at the conclusion of any given instruction by an interrupt or Hold request.

3.2.1 INTERNAL CPU CYCLES

Internal CPU cycles are used to perform all CPU data manipulation and housekeeping operations. Internal CPU cycles are either five or six oscillator periods in duration and are characterised by AS low and DSN, DDN and M/ION high. Section 6.0 provides timing characteristics for internal CPU cycles. Tables 7a and 7b in Section 4.0 provide machine cycle counts (both the five and the six OSC cycle variety) associated with each MIL-STD-1750A instruction.

3.2.2 INSTRUCTION FETCHES

Instruction Fetches are used to keep the instruction pipeline full. This ensures that the next instruction is always ready for execution when the preceding instruction is completed. During jump and branch instruction execution, the pipeline is flushed, and then it is refilled via two consecutive instruction fetches starting at the new instruction location. The pipeline is also refilled as part of interrupt and hold request processing.

Instruction fetches are characterised by IN/OPN high but are otherwise identical to an operand read transfer. For a detailed explanation of the function of various bus control signals during instruction fetches, refer to the discussion of operand transfers below. Section 6.0 provides timing characteristics for instruction fetches. Machine cycles associated with instruction fetches are a minimum of five oscillator periods in duration. The RDYN signal may be used to insert wait states to accommodate slow memory. Machine cycle counts included in Table 7a of Section 4.0 include instruction fetches.

Instruction fetches use instruction pipeline registers IA and IB, the instruction counter (IC), and the data input register (DI) and proceed as follows: assuming an empty instruction pipeline (occurring as a result of a reset, jump, or branch), the contents of IC are placed on the AD bus as an address. The returned value, which will be an instruction, is stored in the IA register.

The value in IC is incremented (via its dedicated counter) and the next fetch is performed. This second returned value, which may be either an instruction or an immediate operand, is stored in both the IA and DI registers. The instruction previously stored in IA is advanced to IB to be executed.

The instruction in IB is checked to determine if an immediate operand is required. If so, that operand has already been pre-fetched and resides in both IA and DI. If not, then the value currently in IA is an instruction. If IA contains an operand,

another instruction fetch is performed and the returned value is stored only in IA (the contents of IB and DI are preserved). If IA contains an instruction, however, the next fetch is deferred until the contents of IB are no longer needed. At that time, the deferred fetch is performed, IA is advanced to IB for execution, and the newly returned value is stored in both IA and DI.

This sequence repeats until the instruction pipeline is again emptied at which time the whole process is repeated.

3.2.3 OPERAND TRANSFERS

Operand transfers are used to obtain (read in) operands to be used by an instruction and to save (write out) any results of an instruction's execution. Section 6.0 provides timing characteristics for operand transfers. Machine cycles associated with operand transfers are a minimum of five oscillator periods in duration. The RDYN signal may be used to insert wait states to accommodate slow memory. Machine cycle counts in Table 7a of Section 4.0 include operand transfers.

Operand transfers use the address register (A), the data input register (DI), and data output register (DO). Before the operand transfer begins, the processor calculates the effective operand address and stores this value in A. For write transfers, the processor loads the operand into the DO register.

All operand transfers between the module and memory are referenced to the AS and DSN bus control signals and are characterised by IN/OPN low and, by M/ION and CDN high. The transfer begins by placing the contents of A (the address register) on the AD bus immediately following the SYNCN high-to-low transition. The AS strobe then goes high to enable the system's transparent address latch. The address is assured valid on the high-to-low transition of AS. The DDN signal is high during the address portion of the transfer; its subsequent action depends on whether the transfer is a read or write. The RDWN signal indicates the direction of the transfer. If the operand is a write, the address from A is replaced by the operand in DO when SYNCN transitions from low-to-high. Next, the DSN signal goes low and can be used by the memory system to generate a write enable. Data is guaranteed valid at the low-to-high transition of DSN. DDN stays high for the duration of a write transfer. The memory system must pull RDYN low to conclude the transfer.

If the operand transfer is a read, the AD bus drivers are placed in a high impedance state at the low-to-high transition of SYNCN to give the memory system access to the bus. Next, the DSN signal goes low and can be used by the memory system to generate an output enable. Shortly after DSN goes low, DDN also goes low. This should be used by the system to reverse the direction of the system's AD bus transceivers. The memory system must pull RDYN low to conclude the transfer. Data will be read into the DI register on the SYNCN high-to-low transition 3.2.4 Input/Output Transfers

Input/Output transfers utilize the MIL-STD-1750A XIO and VIO protocols and are characterized by M/ION and IN/OPN low and CDN high. RD/WN defines the direction of the transfer. AS and DSN cycle as with operand transfer operations. The procedure followed depends on whether the transfer is associated with one of the internally implemented XIO commands or an externally implemented capability. An exception is the Read Configuration Word (RCW) command

MAS281

which is decoded by the MAS281 but is treated, in some ways, like an externally implemented XIO command. This exception is discussed below.

Internal I/O transfers involve all XIO commands which are decoded internally either by the MAS281 or by the MA31751 MMU/BPU chip (with the exception noted above). Table 7b identifies these commands. The A, DI and DO registers are used as in operand transfers. Internal I/O transfers are characterised by DDN staying high for the duration of the transfer in order to prevent bus contention between the module AD bus and the system bus. Machine cycle associated with internal I/O commands are normally six oscillator cycles in duration but might be extended to seven OSC cycles by the internal ready interface if the module is run at high frequencies. Internal I/O transfers may be subdivided into writes, reads and commands as follows:

I/O writes consist of a command phase followed by the value to be written. The command is placed on the AD bus from the A register at the SYNCN high-to-low transition and is assured valid on the high-to-low transition of AS. The value to be written is placed on the AD bus from the DO register at the SYNCN low-to-high transition and is written to the internal I/O device by the subsequent SYNCN high-to-low transition. An example of an internal I/O write is loading timer A.

I/O reads consist of a command phase followed by the value returned by the internal device. The command is placed on the AD bus from the A register at the SYNCN high-to-low transition and is assured valid on the high-to-low transition of AS. The internal I/O device places the value to be read on the

AD bus at the SYNCN low-to-high transition. This value is captured by the DI register on the subsequent SYNCN high-to-low transition. An example of such an operation is reading the interrupt mask register.

I/O commands consist of a command phase alone. The command is placed on the AD bus from the A register at the SYNCN high-to-low transition and is executed at the following SYNCN high-to-low transition. An example of an I/O command is raising the DMAE discrete.

External I/O transfers are similar to internal I/O transfers with the following exceptions: (1) DDN goes low, as with operand transfers, during an I/O read; and (2) external I/O machine cycles are normally five OSC cycles in duration and may be extended via the RDYN signal as with operand transfers.

As discussed earlier, the Read Configuration Word command is a special case. It is decoded internally to generate a read strobe (CONFVN) and therefore uses both the standard internal I/O six OSC period machine cycle as well as the internal ready interface to extend its cycle. It relies on an externally implemented configuration register, however, and therefore cycles DDN as with external I/O cycles. Therefore, the configuration word register must reside on the system side of the data bus transceivers as opposed to residing directly on the local AD bus (as shown in Figure 5).

Nine user interrupt request inputs are provided for programmed response to asynchronous system events. A low on any of these inputs will be detected at the high-to-low transition of SYNCN and latched into the Pending Interrupt (PI)

BIT	Test Coverage	BIT Fail Codes (FT 13,14,15)	Cycles
1	Microcode Sequencer IB Register Control Barrel Shifter Byte Operations and Flags	100	220
2	Temporary Registers (T0 - T7) Microcode Flags Multiply Divide	101	165
3	Interrupt Unit- MK, PI, FT Enable/Disable Interrupts	111	216
4	Status Word Control User Flags General Registers (R0 - R15)	110	155
5	Timer A Timer B	111	775
-	BIT Pass/Fail Overhead	-	25

Note: BIT pass is indicated by all zeros in FT bits 13,14, and 15.

Table 4: Built-in Test Coverage and Tuning

register on the following SYNC high-to-low transition (with the exception of INT02N which is latched into PI when INT02N is first detected). This sequence occurs whether interrupts are enabled or disabled or whether the specific interrupt is masked or unmasked.

Each external PI register input is buffered by a falling edge detector to prevent repeat latching of requests held low beyond the first SYNCN high-to-low transition. An interrupt request input must transition to the high state before a subsequent request on that input will be detected.

When an interrupt request is latched into PI, it is ANDed with its corresponding mask bit in the mask register (MK). Interrupt level 0 is not maskable. Any unmasked pending interrupts are output to the priority encoder where the highest priority is encoded as a 4-bit vector. If interrupts are enabled, and an unmasked interrupt is pending, the priority encoder will assert an interrupt request to the CU.

Upon completing execution of a given MIL-STD-1750A instruction, the CU's microsequencer checks the state of the priority encoder's interrupt request. If an interrupt request is asserted, the microsequencer branches to the microcode interrupt service routine. This routine performs a read of the priority encoder's 4-bit pending interrupt vector, stores the value in the EU DI register, and then uses this value to calculate the appropriate interrupt linkage and service pointers. The pointers serve as addresses to data structures used in servicing interrupts. Figure 6 depicts this relationship. Table 5 defines pointer values.

Using the linkage and service pointers, the microcode interrupt service routine performs the following: (1) the current contents of the status word, mask register, and instruction counter are saved; (2) a write status word I/O command is executed with an all zero data word; (3) the new mask is loaded into MK and interrupts are disabled; (4) the new status word is read and checked for a valid AS field - If AS is non-zero and an MMU is not present, AS is set to zero and fault 11 (address state error) is set in the fault register FT; (5) a write status word command using the new status word is performed; and (6) the new IC value is loaded into IC, the instruction pipeline is filled starting at the new address, and instruction execution begins.

[NOTE: The steps listed above represent a summary of actions performed during interrupt servicing and do not necessarily reflect the actual order in which these events take place.]

If an interrupt is latched during the interrupt service routine, it will not be processed until interrupts are re-enabled. If an AS fault occurs during the service routine, interrupt level 1 will be set. This interrupt will be serviced when interrupts are re-enabled unless it is masked by the new value in MK.

3.4 FAULT SERVICING

Eight user fault inputs are provided. A low on any of these inputs will be latched into the Fault Register (FT) at the high-to-low transition of SYNCN.

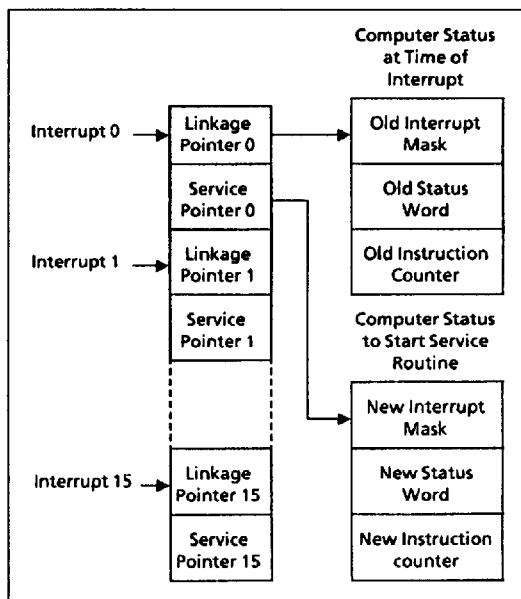


Figure 6: Interrupt Vectoring

Interrupt	LP Address	SP Address
PWRD		
0	20	21
1	22	23
INT02		
2	24	25
3	26	27
4	28	29
5	2A	2B
6	2C	2D
7	2E	2 F
INT08		
8	30	31
9	32	33
INT10		
10	34	35
INT11		
11	36	37
IOI1		
12	38	39
INT13		
13	3A	3B
IOI2		
14	3C	3D
INT15		
15	3E	3F

Table 5: Interrupt Pointer Definitions

No falling edge detectors are provided to prevent repeat latching of faults held low beyond the first SYNCN high-to-low transition. However, all FT bits are ORed together and input to the PI bit 1 through an edge detector to prevent the fault register from causing multiple level 1 interrupts.

The sequence of events following a fault capture depends on the type of fault as follows:

3.4.1 MPEN, PIOPEN, DMAPEN, PIOXEN, FLT7N, AND SYSFN

The capture of one or more of these faults immediately sets pending interrupt level 1 (machine error) of the Pending Interrupt (PI) register. Anti-repeat logic between the FT and PI prevents latching more than a single interrupt into the PI before the user interrupt service routine has cleared the FT. The microcoded interrupt service routine reads the interrupt priority vector from the Interrupt Unit and clears the service interrupt from the PI. At this point the PI is ready to latch another interrupt into this bit.

When this microcoded service routine acts on a level 1 interrupt, it clears the PI bit 1, but the FT maintains the interrupting bit(s). Therefore, a level 1 interrupt would be latched again if there was no anti-repeat logic to prevent a never-ending loop of interrupts.

During the SYNCN cycles between fault capture and the beginning of the microcode interrupt handling routine, AS and DSN are forced to their inactive states. In the case of MPROEN, which may reflect an attempted write violation, it is required that system hardware provide the additional protection necessary to inhibit memory write strobe.

Interrupts are serviced at the end of the currently executing instruction if not masked and if interrupts are enabled. System software servicing level 1 interrupts must clear the FT via the RCFR internal I/O command at some point in the routine to allow subsequent faults to latch a level 1 interrupt request. A non-destructive read of the FT is provided by the internal I/O command RFR, but this command should be used carefully.

3.4.2 MPROEN, EXADEN, AND BUS FAULT TIME-OUT

The capture of one or more of these faults immediately sets pending interrupt level 1 (machine error) of the Pending Interrupt (PI) register. Furthermore, the instruction currently executing is aborted at the SYNCN high-to-low transition following the SYNCN high-to-low transition that latched the fault. The IC value saved in the interrupt linkage table for the level 1 interrupt always points to the instruction which was in instruction pipeline register IA at the time of the abort. Anti-repeat logic between the FT and PI prevents latching more than a single interrupt into the PI before the user interrupt service routine has cleared the FT.

The microcoded interrupt service routine reads the interrupt priority vector from the Interrupt Unit and clears the serviced interrupt from the PI. At this point the PI is ready to latch another interrupt into this bit. When this microcoded service routine acts on a level 1 interrupt, it clears the PI bit 1, but the FT maintains the interrupting fault bit(s). Therefore, a level 1 interrupt would be latched again if there were no anti-repeat logic to prevent a never-ending loop of interrupts from occurring.

3.5 DMASUPPORT

DMA data transfers are performed under the control of a system DMA controller over the system AD bus. The user signals that DMA requests will be honored by setting the DMAE output high via the DMAE internal XIO command. The DMA controller may request use of the AD bus by pulling the module's DMARN input low.

Unless the DMAE output is high, all such requests will be ignored. If DMAE is high, DMARN will be acknowledged by DMAKN dropping low. This occurs at the first SYNCN high-to-low transition after DMARN goes low.

DMAKN low indicates that the module has relinquished control of the AD bus by placing its AD bus, AS, DSN, M/ION, RD/WN and IN/OPN drivers in their high impedance state. DDN is dropped low to direct the system data bus transceivers to drive the local AD bus and CDN is dropped low to disable the control signal buffers. The DMA controller relinquishes control of the AD bus by raising DMARN high. The module responds by raising DMAKN high at the next SYNCN high-to-low transition and continuing with program execution.

3.6 HOLD SUPPORT

The Hold state is provided to facilitate debugging of user software by allowing the user to disable the MAS281 and access system resources. Hold state timings is defined in Section 6.0. The Hold state can be entered either by pulling HOLDN low or by executing a BPT instruction with the Console present and indicated in the Configuration Word. These two approaches, as well as methods for using the Hold state to single step through software, are discussed below:

3.6.1 USING HOLDN

At the completion of the currently executing instruction, the microsequencer checks the state of the HOLDN input. If low, the microsequencer branches to the microcode Hold service routine. This routine decrements IC twice, enables the Hold termination sequence, drops HLDAKN low, and enters the Hold state. HLDAKN drops low three SYNCN cycles after the final SYNCN cycle of the currently executing instruction. A low on HLDAKN indicates that the module has relinquished the AD bus by placing its AD bus, AS, DSN, M/ION, RD/WN and IN/OPN drivers into the high impedance state and, DDN and CDN drop low.

When HOLDN is returned high, the Hold state will end on the subsequent high-to-low transition of SYNCN. This is signified by raising HLDAKN, at which point the module resumes control of the AD bus, AS, DSN, M/ION, RD/WN and IN/OPN signals. CDN and DDN raise high. The instruction pipeline is then refilled and instruction execution resumes with the first instruction loaded into the pipeline.

System Interrupts	Internal Interrupts
PWRD	0 (Cannot be Disabled or Masked)
	1 Machine Error (Cannot be Disabled)
INT02	2
	3 Floating-Point Overflow
	4 Fixed-Point Overflow
	5 Executive Call (cannot be Disabled or Masked)
	6 Floating-Point Underflow
	7 Timer A Overflow
INT08	8
	9 Timer B Overflow
INT10	10
INT11	11
IO11	12
INT13	13
IO12	14
INT15	15

Figure 7: Pending Interrupt Register Bit Assignments

System Faults	Internal Faults
MPROE (Memory)	0
MPROE (DMA)	1
MPE	2
PIOPE	3
DMAPE	4
EXADE or Bus Timeout	5
PIOXE	6
FLT7	7
EXADE or Bus Timeout	8
	9 Illegal instruction Opcode
	10 Privileged Instruction
	11 Unimplemented Address State
Reserved	12
SYSF	13
	14
SYSF	15

MAS281 BIT fail code

Figure 8: Fault Register Bit Assignments

3.6.2 USING BPT

The Hold state may also be entered by executing a BPT instruction with Console present indicated in the Configuration Word. On encountering a BPT instruction, the processor reads the Configuration Word to check for the presence of a Console. If a Console is indicated, the microsequencer branches to the microcode BPT Hold service routine. This routine decrements IC once, drops HLDACKN low, and enters the Hold state.

To release the MAS281 from a BPT initiated Hold state, the HOLDN input must be pulsed low in accordance with the timing diagrams in Section 6.0. When HOLDN returns high, the Hold state will be released on the following SYNCN high-to-low

transition. The instruction pipeline is then refilled and instruction execution resumes with the first instruction loaded into the pipeline.

3.6.3 SINGLE-STEPPING

Software can be single-stepped through the proper use of the HOLDN input and the BPT instruction. Use the BPT instruction to mark the beginning of the section of code which will be stepped through. Pulse HOLDN low to release the BPT initiated Hold state and then pull HOLDN low again during the two subsequent SYNCN cycles that refill the instruction pipeline. When the first instruction following Hold release completes execution, the module will once again enter the

MAS281

Hold state. Again pulling HOLDN will cause the next instruction to execute. This process may be repeated as long as required. Raising HOLDN high will resume normal operation.

3.7 TIMER OPERATIONS

The MAS281 implements interval timers A and B, a trigger-go counter, and a bus fault timer. A discussion of each follows:

3.7.1 TIMERS A AND B

Timer A is clocked by the TCLK input; timer B is clocked by an internally generated TCLK/10. MIL-STD-1750A requires TCLK to be a 100-kHz pulse train. If allowed to overflow, timers A and B will set level 7 and level 9 interrupt requests, respectively. Timing characteristics of each timer are defined in Section 5.0. Either timer can be read, loaded, started, and stopped through the use of internally decoded XIO commands.

These commands are identified in Table 7b in Section 4.0. By asserting the DTIMERN input, both timers will halt and all internally decoded XIO commands which would change their state are disabled (asserting DTIMERN also disables DMA accesses by driving DMAE low and DMAKN high). Raising DTIMERN allows the timers to resume counting from their suspended state and allows timer commands to function normally (DMA control lines are again allowed to change).

A feature of the MAS281 timers is the choice of disabling, or not disabling, the interval timers A and B upon execution of a BPT software instruction when a Console is connected. If full compliance with MIL-STD-1750 (Notice 1) is desired, the halting of timers A and B can be accomplished by pulling DTIMERN low upon execution of a BPT instruction with a Console connected. Two suggested ways to do this are: (1) connect HLDACKN to DTIMERN through an AND gate; or (2) allow the system Console to pull DTIMERN low upon receiving HLDACKN low. The first option provides a faster response and is a less complicated method, whereas the second choice allows the option of halting timers A and B, or not halting them.

[NOTE: As described in Section 2.2, DTIMERN low suspends the trigger-go timer and disables DMA access (forces DMAE low and DMAKN high) in addition to halting timers A and B].

3.7.2 TRIGGER-GO COUNTER

The trigger-go counter is clocked by the TGCLK input. Timing characteristics for trigger-go counter operation are defined in Section 6.0. DTIMERN disables and enables operation in the same manner as with timers A and B. Whenever the trigger-go counter overflows, TGON drops low and remains low until the counter is reset via the GO internal XIO command.

3.7.3 BUS FAULT TIMER

All bus operations are monitored to ensure timely completion. A hardware timeout circuit is enabled at the start of each memory and I/O transfer (DSN high-to-low transition) and is reset upon receipt of the external ready (RDYN) signal.

If this circuit fails to reset within a minimum of one TCLK period or a maximum of two TCLK periods, either bit 8 (if the transaction is with memory) or bit 5 (if the transaction is with

I/O) of the Fault Register (FT) is set. This sets pending interrupt level 1 and causes the current bus cycle to be terminated by forcing SYNCN low. The MIL-STD-1750A instruction is aborted, and control passes to the level 1 interrupt service routine (if the level 1 interrupt is unmasked). This feature is disabled by pulling DTON low.

4. SOFTWARE CONSIDERATIONS

The MAS281 implements the full MIL-STD-1750A instruction set. Table 7a lists the instruction set and provides performance data for each instruction. Table 7b provides a summary of the XIO commands which are internally decoded on the module. Resources available to the software programmer are depicted in Figure 9. A discussion of data types, addressing modes and benchmarking considerations follows.

4.1 DATA TYPES

The MAS281 fully supports 16-bit fixed-point single precision, 32-bit fixed-point double-precision, 32-bit floating-point, and 48-bit extended precision floating point data types. Figure 10 depicts the formats of these data types.

All numerical data is represented in two's complement form. Floating-point numbers are represented by a fractional two's complement mantissa with an 8-bit two's complement exponent. All floating-point operands are expected to be normalized. If not normalized, the results from an instruction are not defined.

4.2 ADDRESSING MODES

The MAS281 supports the eight addressing modes specified in MIL-STD-1750A. These addressing modes are depicted in Figure 11 and are defined below.

4.2.1 REGISTER DIRECT (R)

The register specified by the instruction contains the required operand.

4.2.2 MEMORY DIRECT (D,DX)

Memory Direct (without indexing) is an addressing mode in which the instruction contains the memory address of the required operand. In Memory Direct-Indexed (DX), the memory address of the required operand is specified by the sum of the contents of an index register (RX) and the instruction address field (A). Register R1 through R15 may be specified for indexing.

4.2.3 MEMORY INDIRECT (I, IX)

Memory Indirect (without indexing) is an addressing mode in which the memory address specified by the instruction contains the address of the required operand. In Memory Indirect with Pre-Indexing (IX), the sum of the contents of a specified index register and the instruction address field in the address that contains the address of the required operand. Registers R1 through R15 may be specified for pre-indexing.

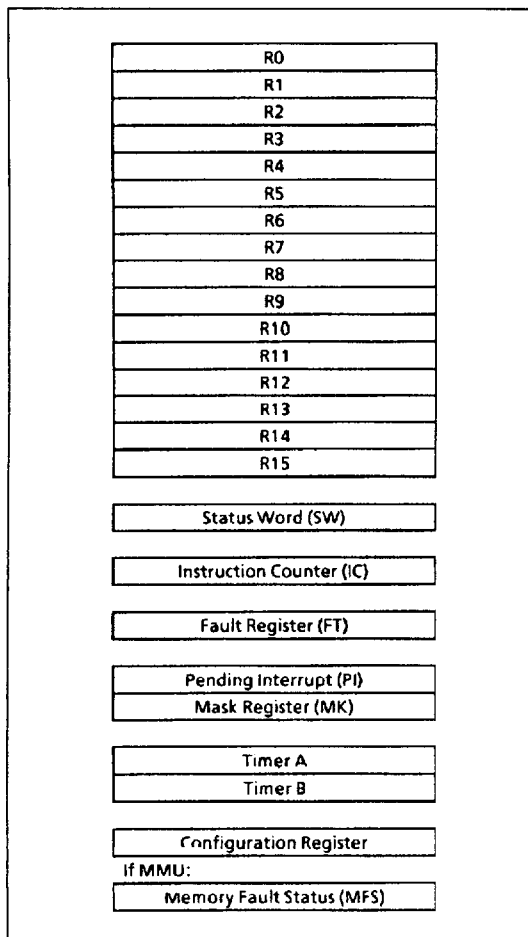


Figure 9: Register Set Model

4.2.4 IMMEDIATE LONG (IM, IMX)

There are two formats which implement Immediate Long Addressing; one allows indexing and one does not. For the indexable form, if the specified index register, RX, is not equal to zero, the contents of RX are added to the immediate field to form the required operand; otherwise, the immediate field contains the required operand.

4.2.5 IMMEDIATE SHORT (IS)

In this mode the required 4-bit operand is contained within the 16-bit instruction. The Immediate Short addressing mode accommodates two formats; one which interprets the contents of the immediate field as positive data and the other which interprets the contents of the immediate field as a negative data.

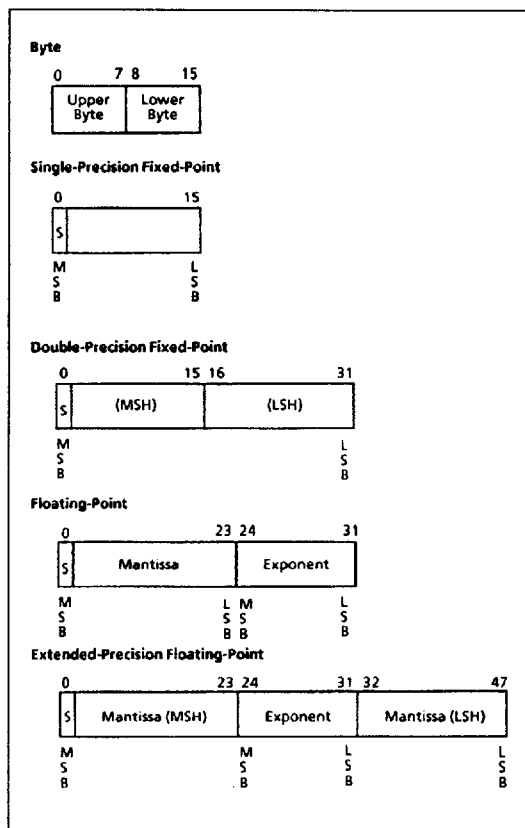


Figure 10: Data Formats

4.2.5.1 IMMEDIATE SHORT POSITIVE (ISP)

The immediate operand is treated as a positive integer between 1 and 16.

4.2.5.2 IMMEDIATE SHORT NEGATIVE (ISN)

The immediate operand is treated as a negative integer between -1 and -16. Its internal form is a two's complement, sign-extended 16-bit number.

4.2.6 INSTRUCTION COUNTER RELATIVE (ICR)

This addressing mode is used for 16-bit branch instructions. The contents of the instruction counter minus two (the address of the current instruction) is added to the sign-

MAS281

extended 8-bit displacement field within the instruction. This sum then points to the memory address to which control will be transferred if the branch is taken.

4.2.7 BASE RELATIVE (B)

There are two formats which implement Base Relative Addressing; one allows indexing and one does not. For the non-indexable form, the contents of the instruction specified base register ($BR = BR' + 12$) is added to the 8-bit displacement field (DU) of the 16-bit instruction. For the indexable form, the sum of the contents of a specified index register and a specified base register is the address of the required operand. Registers R1 through R15 may be specified for indexing. Registers R12 through R15 may be specified as the base register.

4.2.8 SPECIAL

This addressing mode is applicable to instructions that do not follow the above formats. The instructions that use this special mode are indicated in Table 7a.

4.3 BENCHMARKING

Table 7a defines the number and type of machine cycles associated with each MIL-STD-1750A instruction. This information may be used when benchmarking MAS281 performance. The Digital Avionics Instruction Set (DAIS) mix, which defines a typical frequency of occurrence for MIL-STD-1750A instructions, is used here for this purpose.

One problem with the DAIS mix, however, is that it does not reflect the impact of data dependencies on system performance. For example, a multiplication in which an operand is zero may be performed much faster than one with two non-zero operands. Also, the DAIS mix does not specify such time consuming operations as normalization and alignment.

Realistic benchmarks must therefore take both the instruction mix and data dependencies into account. To this end, machine cycle counts in Table 7a which have data dependencies, are annotated with either an "a" or "wa" suffix.

An "a" suffix reflects an average number of machine cycles (where each of several possibilities is equally likely) and a "wa" suffix reflects a weighted average number of machine cycles (where some data possibilities are more likely than others).

Weighted averages are only applicable to floating-point operations. Weighted averages provided in Table 7a are based on the Sweeney (IBM) guidelines. These guidelines take a wide range of data dependencies into consideration. Normalization and alignment operations are also represented. Table 6 defines MAS281 throughput, at various frequencies and wait states, for the DAIS mix using Sweeney data dependencies.

It should be noted that using the Sweeney guidelines is a conservative approach to benchmarking. If best case assumptions are made and such operations as normalization and alignment are not considered, MAS281 performance figures are approximately 50% higher than those indicated in Table 6.

f _{osc} MHz	25	743.4	698.3	658.4	622.8
	20	594.7	558.7	526.7	498.2
	15	446.0	419.0	395.0	373.7
	10	297.4	279.3	263.4	249.1
		0	1	2	3

Number of Wait States in Memory Access Cycle

Table 6: Throughput (KIPS)

<u>Mode</u>				<u>Format</u>				
1. Register Direct "R"	0	7 8	11 12 15					
	<table border="1" style="width: 100%; border-collapse: collapse;"> <tr> <td style="width: 33%; text-align: center;">OC</td> <td style="width: 33%; text-align: center;">RA</td> <td style="width: 33%; text-align: center;">RB</td> </tr> </table>			OC	RA	RB		
OC	RA	RB						
2. MemoryDirect "D" "DX"	0	7 8	11 12 15	16 32				
	<table border="1" style="width: 100%; border-collapse: collapse;"> <tr> <td style="width: 33%; text-align: center;">OC</td> <td style="width: 33%; text-align: center;">RA</td> <td style="width: 33%; text-align: center;">RX</td> </tr> </table>			OC	RA	RX	<table border="1" style="width: 100%; border-collapse: collapse;"> <tr> <td style="text-align: center;">A</td> </tr> </table>	A
OC	RA	RX						
A								
	RX = 0 (Not-Indexed)							
	RX ≠ 0 (Indexed)							
3. Memory Indirect "I" "IX"	0	7 8	11 12 15	16 32				
	<table border="1" style="width: 100%; border-collapse: collapse;"> <tr> <td style="width: 33%; text-align: center;">OC</td> <td style="width: 33%; text-align: center;">RA</td> <td style="width: 33%; text-align: center;">RX</td> </tr> </table>			OC	RA	RX	<table border="1" style="width: 100%; border-collapse: collapse;"> <tr> <td style="text-align: center;">A</td> </tr> </table>	A
OC	RA	RX						
A								
	RX = 0 (Not-Indexed)							
	RX ≠ 0 (Indexed)							
4. Immediate Long a. Not Indexable "IM"	0	7 8	11 12 15	16 32				
	<table border="1" style="width: 100%; border-collapse: collapse;"> <tr> <td style="width: 33%; text-align: center;">OC</td> <td style="width: 33%; text-align: center;">RA</td> <td style="width: 33%; text-align: center;">OCX</td> </tr> </table>			OC	RA	OCX	<table border="1" style="width: 100%; border-collapse: collapse;"> <tr> <td style="text-align: center;">I</td> </tr> </table>	I
OC	RA	OCX						
I								
b. Indexable "IM" "IMX"	0	7 8	11 12 15	16 32				
	<table border="1" style="width: 100%; border-collapse: collapse;"> <tr> <td style="width: 33%; text-align: center;">OC</td> <td style="width: 33%; text-align: center;">RA</td> <td style="width: 33%; text-align: center;">RX</td> </tr> </table>			OC	RA	RX	<table border="1" style="width: 100%; border-collapse: collapse;"> <tr> <td style="text-align: center;">I</td> </tr> </table>	I
OC	RA	RX						
I								
	RX = 0 (Not-Indexed)							
	RX ≠ 0 (Indexed)							
5. Immediate Short a. Positive "ISP"	0	7 8	11 12 15					
	<table border="1" style="width: 100%; border-collapse: collapse;"> <tr> <td style="width: 33%; text-align: center;">OC</td> <td style="width: 33%; text-align: center;">RA</td> <td style="width: 33%; text-align: center;">I</td> </tr> </table>			OC	RA	I		
OC	RA	I						
b. Negative "ISN"	0	7 8	11 12 15					
	<table border="1" style="width: 100%; border-collapse: collapse;"> <tr> <td style="width: 33%; text-align: center;">OC</td> <td style="width: 33%; text-align: center;">RA</td> <td style="width: 33%; text-align: center;">I</td> </tr> </table>			OC	RA	I		
OC	RA	I						
6. IC Relative "ICR"	0	7 8	15					
	<table border="1" style="width: 100%; border-collapse: collapse;"> <tr> <td style="width: 33%; text-align: center;">OC</td> <td style="width: 33%; text-align: center;">D</td> <td style="width: 33%;"></td> </tr> </table>			OC	D			
OC	D							
7. Base Relative a. Not Indexable "B"	0	5 6 7 8	11 12 15					
	<table border="1" style="width: 100%; border-collapse: collapse;"> <tr> <td style="width: 25%; text-align: center;">OC</td> <td style="width: 25%; text-align: center;">BR'</td> <td style="width: 25%; text-align: center;">DU</td> <td style="width: 25%;"></td> </tr> </table>			OC	BR'	DU		
OC	BR'	DU						
	BR' = BR-12							
b. Indexable "B" "BX"	0	5 6 7 8	11 12 15					
	<table border="1" style="width: 100%; border-collapse: collapse;"> <tr> <td style="width: 25%; text-align: center;">OC</td> <td style="width: 25%; text-align: center;">BR'</td> <td style="width: 25%; text-align: center;">OCX</td> <td style="width: 25%; text-align: center;">RX</td> </tr> </table>			OC	BR'	OCX	RX	
OC	BR'	OCX	RX					
	RX = 0 (Not-Indexed)							
	RX ≠ 0 (Indexed)							
8. Special "S"	0	7 8	11 12 15					
	<table border="1" style="width: 100%; border-collapse: collapse;"> <tr> <td style="width: 33%; text-align: center;">OC</td> <td style="width: 33%; text-align: center;">S1</td> <td style="width: 33%; text-align: center;">S2</td> </tr> </table>			OC	S1	S2		
OC	S1	S2						

Legend:

- OC = Operation Code
- RA = Destination Register
- RB = Source Register
- RX = Index Register
- A = Address (logical)
- OCX = Extension to Operation Code
- I = Immediate Data
- D = Displacement
- BR' = Base Register Reference
- DU = Displacement (Positive)
- S1,S2 = Special Code

Figure 11: Addressing Modes

4.4 INSTRUCTION SUMMARY

Operation	Op Code/Ext	Mnemonic	Format	Cycles *		
				M	P	B
LOAD/STORE						
Single Precision Load	81	LR	R	1	0	0
	0X	LB	B	2	1	0
	4X 0	LBX	BX	2	1	0
	82	LISP	ISP	1	0	0
	83	LISN	ISN	1	0	0
	80	L	D, DX	3	0	0
	85	LIM	IM,IMX	2	0	0
	84	LI	I,IX	4	1	0
Double-Precision Load	87	DLR	R	1	2	0
	0X	DLB	B	3	1	0
	4X 1	DLBX	BX	3	2	0
	86	DL	D, DX	4	0	0
	88	DLI	I,IX	5	1	0
Single-Precision Store	0X	STB	B	2	2	0
	4X 2	STBX	BX	2	2	0
	90	ST	D, DX	3	1	0
	94	STI	I, IX	4	1	0
Store a Non-Negative Constant	91	STC	D,DX	3	1	0
	92	STCI	I, IX	4	1	0
Double-Precision Store	0X	DSTB	B	3	2	0
	4X 3	DSTX	BX	3	2	0
	96	DST	D DX	4	0	0
	98	DSTI	I, IX	5	1	0
Load Multiple Registers	89	LM	D,DX	3+n	1	1
Store Multiple Registers	99	STM	D,DX	3+n	1	1
INTEGER ARITHMETIC						
Single-Precision Integer Add	A1	AR	R	1	1	0
	1 X	AB	B	2	2	0
	4X 4	ABX	BX	2	2	0
	A2	AISP	ISP	1	1	0
	A0	A	D, DX	3	1	0
	4A 1	AIM	IM	2	1	0
Increment Memory by a Positive Integer	A3	INCM	D,DX	4	1	0
Single-Precision Absolute Value of Register	A4	ABS	R	1	1.5	1a
Double-Precision Absolute Value of Register	A5	DABS	R	1	2.5	1a

* M = memory, P = processor (5 OSC cycles) B = processor (6 OSC cycles),
a = average if more than one alternative exists

Table 7a: Instruction Summary

Operation	Op Code/Ext	Mnemonic	Format	Cycles *		
				M	P	B
Double-Precision Integer Add	A7	DAR	R	1	3	0
	A6	DA	D, DX	4	1	0
Single Precision Integer Subtract	B1	SR	R	1	1	0
	1 X	SBB	B	2	2	0
	4X 5	SBBX	BX	2	2	0
	B2	SISP	ISP	1	1	0
	B0	S	D, DX	3	1	0
	4A 2	SIM	IM	2	1	0
Decrement Memory by a Positive Integer	B3	DECM	D,DX	4	1	0
Single Precision Negate Register	B4	NEG	R	1	1	0
Double-Precision Negate Register	B5	DNEG	R	1	3	0
Double-Precision Integer Subtract	B7	DSR	R	1	3	0
	B6	DS	D,DX	4	1	0
Single Precision Integer Multiply with 16-Bit Product	C1	MSR	R	1	6.5	4a
	C2	MISP	ISP	1	7.5	4a
	C3	MISN	ISN	1	7.5	4a
	C0	MS	D,DX	3	6.5	4a
	4A 4	MSIM	IM	2	6.5	4a
Single Precision Integer Multiply with 32-Bit Product	C5	MR	R	1	5	3
	1X	MB	B	2	7	3
	4X 6	MBX	BX	2	7	3
	C4	M	D, DX	3	5	3
	4A 3	MIM	IM	2	5	3
Double-Precision Integer Multiply	C7	DMR	R	1	41	4.5a
	C6	DM	D,DX	4	40	4.5a
Single Precision Integer Divide with 16-Bit Dividend	D1	DVR	R	1	20.25	5.5a
	D2	DISP	ISP	1	20	5.5a
	D3	DISN	ISN	1	20.5	5.5a
	D0	DV	D,DX	3	20.25	5.5a
	4A 6	DVIM	IM	2	20.25	5.5a
Single Precision Integer Dividewith 32-Bit Dividend	D5	DR	R	1	21.75	6.5a
	1X	DB	R	2	22.75	6.5a
	4X 7	DBX	BX	2	22.75	6.5a
	D4	D	D,DX	3	21.75	6.5a
	4A 5	DIM	IM	2	22.75	6.5a
Double-Precision Integer Divide	D7	DDR	R	1	79.5	5.5a
	D6	DD	D,DX	4	77.5	5.5a

* M = memory, P = processor (5 OSC cycles), B = processor (6 OSC cycles),
a = average if more than one alternative exists

Table 7a: Instruction Summary (continued)

Operation	Op Code/Ext	Mnemonic	Format	Cycles *		
				M	P	B
LOGICAL						
Inclusive Logical OR	E1	ORR	R	1	0	0
	3X	ORB	B	2	1	0
	4X F	ORBX	BX	2	1	0
	E0	OR	D, DX	3	0	0
	4A 8	ORIM	IM	2	0	0
Logical AND	E3	ANDR	R	1	0	0
	3X	ANDB	B	2	1	0
	4X E	ANDX	BX	2	1	0
	E2	AND	D, DX	3	0	0
	4A 7	ANDM	IM	2	0	0
Exclusive Logical OR	E5	XORR	R	1	0	0
	E4	XOR	D, DX	3	0	0
	4A 9	XORM	IM	2	0	0
Logical NAND	E7	NR	R	1	1	0
	E6	N	D, DX	3	1	0
	4A B	NIM	IM	2	1	0
Set Bit	51	SBR	R	1	0	0
	50	SB	D, DX	4	1	0
	52	SBI	I, IX	5	2	0
Reset Bit	54	RBR	R	1	1	0
	53	RB	D, DX	4	1	0
	55	RBI	I, IX	5	2	0
Test Bit	57	TBR	R	1	0	0
	56	TB	D, DX	3	0	0
	58	TBI	I, IX	4	1	0
Test and Set Bit	59	TSB	D,DX	4	0	2
Set Variable Bit in Register	5A	SVBR	R	1	0	1
Reset Variable Bit in Register	5C	RVBR	R	1	1	1
Test Variable Bit in Register	5E	TVBR	R	1	0	1
Store Register Through Mask	97	SRM	D,DX	4	3	0
BYTE						
Load From Upper Byte	8B	LUB	D,DX	3	0	0
	8D	LUBI	I,IX	4	1	0
Load From Lower Byte	8C	LLB	D,DX	3	1	0
	8E	LLBI	I, IX	4	2	0
Store Into Upper Byte	9B	STUB	D,DX	4	1	0
	9D	SUB I	I, IX	5	3	0
Store Into Lower Byte	9C	STLB	D,DX	4	1	0
	9E	SLBI	I,IX	5	2	0
Exchange Bytes in Register	EC	XBR	S	1	0	1

* M = memory, P = processor (5 OSC cycles), B = processor (6 OSC cycles).

Table 7a: Instruction Summary (continued)

Operation	Op Code/Ext	Mnemonic	Format	Cycles *		
				M	P	B
COMPARE						
Single-Precision Compare	F1	CR	R	1	0	0
	3X	CB	B	2	1	0
	4X C	CBX	BX	2	1	0
	F2	CISP	ISP	1	0	0
	F3	CISN	ISN	1	0	0
	F0	C	D, DX	3	0	0
	4A A	CIM	IM	2	0	0
Compare Between Limits	F4	CBL	D,DX	4	2.75	1.75a
Double-Precision Compare	F7	DCR	R	1	2	0
	F6	DC	D, DX	4	0	0
JUMP/BRANCH						
Jump on Condition	70	JC	D, DX	2	0.5	1a
	71	JCI	I,IX	3	0.5	1a
Jump to Subroutine	72	JS	D, DX	2	2	0
Subtract One and Jump	73	SOJ	D, DX	2	2.5	1a
Branch Unconditionally	74	BR	ICR	2	2	0
Branch if Equal to (Zero)	75	BEZ	ICR	1.5	1	1a
Branch if Less than (Zero)	76	BLT	ICR	1.5	1	1a
Branch to Executive	77	B EX	S	16	12	3a
Branch if Less than or Equal to (Zero)	78	BLE	ICR	1.5	1	1a
Branch if Greater than (Zero)	79	BGT	ICR	1.5	1	1a
Branch if Not Equal to (Zero)	7A	BNZ	ICR	1.5	1	1 a
Branch if Greater than or Equal to (Zero)	7B	BGE	ICR	1.5	1	1a
SHIFT						
Shift Left Logical	60	SLL	R	1	1	0
Shift Right Logical	61	SRL	R	1	1	0
Shift Right Arithmetic	62	SRA	R	1	1	0
Shift Left Cyclic	63	SLC	R	1	1	0
Double Shift Left Logical	65	DSLL	R	1	3	0
Double Shift Right Logical	66	DSRL	R	1	2	0
Double Shift Right Arithmetic	67	DSRA	R	1	2	0
Double Shift Left Cyclic	68	DSLCL	R	1	3	0
Shift Logical, Count in Register	6A	SLR	R	1	1	3
Shift Arithmetic, Count in Register	6B	SAR	R	1	1.5	3.50a
Shift Cyclic, Count in Register	6C	SCR	R	1	1	3.25a
Double Shift Logical, Count in Register	6D	DSLRL	R	1	2.25	4a
Double Shift Arithmetic, Count in Register	6E	DSAR	R	1	3.19	4.94a
Double Shift Cyclic, Count in Register	6F	DSCR	R	1	3.5	3a

* M = memory, P = processor (5 OSC cycles), B = processor (6 OSC cycles),
a = average if more than one alternative exists.

Table 7a: Instruction Summary (continued)

Operation	Op Code/Ext	Mnemonic	Format	Cycles *		
				M	P	B
CONVERT						
Convert Floating-Point to 16-Bit Integer	E8	FIX	R	1	4.25	4.5a
Convert 16-Bit Integer to Floating-Point	E9	FLT	R	1	3	2a
Convert Extended-Precision Floating-Point to 32-Bit Integer	EA	EFIX	R	1	12.25	6.25a
Convert 32-Bit Integer to Extended-Precision Floating-Point	EB	EFLT	R	1	7.5	3.5a
STACK						
Stack IC and Jump to Subroutine	7E	SJS	D, DX	4	3	0
Unstack IC and return from Subroutine	7F	URS	S	3	1	1
Pop Multiple registers off the Stack	8F	POPM	S	2.5+n (n=0 to 15)	2.25+n (n=0 to 15)	4.25a
Push Multiple Registers on to the Stack	9F	PSHM	S	1 + n (n=0 to 15)	4.5 + n (n=0 to 15)	2a
I/O (See I/O Command Summary)						
Execute I/O	48	XIO**	IM,IMX	3	3.583	6.277a
Vectored I/O	49	VIO**	D,DX	-	-	-
SPECIAL						
Built-In Function Call	4F	BIF	S			
Move Multiple Words, Memory-to-Memory	93	MOV	S	1+4n	1+3n	1+2na
Exchange Words in Registers	ED	XWR	R	1	2	0
Load Status	7D	LST**	D, DX	8	2	3
	7C	LSTI**	I, IX	9	2	4
No Operation	FF	NOP	S	1	2	2
Break Point	FF	BPT	S	3	4	4

* M = memory, P = processor (5 OSC cycles), B = processor (6 OSC cycles),
a = average if more than one alternative exists
** Priveleged instruction

Table 7a: Instruction Summary (continued)

Operation	Op Code/Ext	Mnemonic	Format	Cycles *		
				M	P	B
FLOATING-POINT						
Extended-Precision Floating-Point Load	8A	EFL	D, DX	5	0	1
Extended-Precision Floating-Point Store	9A	EFST	D, DX	5	0	1
Floating-Point Absolute Value of Register	AC	FABS	R	1	1.75	3.25a
Floating-Point Negate Register	BC	FNEG	R	1	3.25	3.75a
Floating-Point Compare	F9	FCR	R	1	2.75	2.875wa
	3X	FCB	B	2	2.75	2.875wa
	4X D	FCBX	BX	2	2.75	2.875wa
	F8	FC	D, DX	3	1.75	2.875wa
Extended-Precision Floating-Point Compare	FB	EFGR	R	1	3.25	2.875wa
	FA	EFC	D,DX	4.25a	2.75	2.875wa
Floating-Point Add	A9	FAR	R	1	7.625	8.25wa
	2X	FAB	B	3	6.625	8.25wa
	4X B	FABX	BX	3	6.625	8.25wa
	A8	FA	D, DX	4	5.625	8.25wa
Extended-Precision Floating-Point Add	AB	EFAR	R	1	21.3125	10.5625wa
	AA	EFA	D, DX	5	19.3125	10.5625wa
Floating-Point Subtract	B9	FSR	R	1	8.625	8.625wa
	2X	FSB	B	3	7.625	8.625wa
	4X 9	FSBX	BX	3	7.625	8.625wa
	B8	FS	D, DX	4	6.625	8.625wa
Extended-Precision Floating-Point Subtract	BB	EFGR	R	1	23.0625	11.8125wa
	BA	EFS	D, DX	5	21.0625	11.8125wa
Floating-Point Multiply	C9	FMR	R	1	12.75a	6.25wa
	2X	FMB	B	3	12.75a	6.25wa
	4X A	FMBX	BX	3	12.75a	6.25wa
	C8	FM	D, DX	4	11.75a	6.25wa
Extended-Precision Floating-point Multiply	CB	EFMR	R	1	59.75	6.25wa
	CA	EFM	D, DX	5	57.75	6.25wa
Floating-Point Divide	D9	FDR	R	1	31.5	32.75wa
	2X	FDB	B	3	30.5	32.75wa
	4X B	FDBX	BX	3	30.5	32.75wa
	D8	FD	D, DX	4	29.5	32.75wa
Extended-Precision Floating-Point Divide	DB	EFDR	R	1	102.625	47.875wa
	DA	EFD	D, DX	5	100.625	47.875wa

* M = memory, P = processor (5 OSC cycles), B = processor (6 OSC cycles),

a = average if more than one alternative exists

wa = weighted average favouring one or more possible alternatives

Table 7a: Instruction Summary (continued)

MAS281

4.5 INTERNAL I/O COMMAND SUMMARY

Operation	Command	Mnemonic	Cycles *		
			M	P	B
Implemented in MAS281					
Set Fault Register	0401	SFR	2	3	9
Set Interrupt Mask	2000	SMK	2	3	9
Clear Interrupt request	2001	CLIR	2	3	9
Enable Interrupts	2002	ENBL	2	3	9
Disable Interrupts	2003	DSBL	2	3	9
Reset Pending Interrupt	2004	RPI	2	3	9
Set Pending Interrupt Register	2005	SPI	2	3	9
Reset Normal Power Up Discrete	200A	RNS	2	3	9
Write Status Word	200E	WSW	2	3a	8.5a
Enable Start-Up ROM	4004	ESUR	2	3	9
Disable Start-Up ROM	4005	DSUR	2	3	9
Direct Memory Access Enable	4006	DMAE	2	3	9
Direct Memory Access Disable	4007	DMAD	2	3	9
Timer A Start	4008	TAS	2	3	9
Timer A Halt	4009	TAH	2	3	9
Output Timer A	400A	OTA	2	3	9
Reset Trigger-Go	400B	GO	2	3	9
Timer B Start	400C	TBS	2	3	9
Timer B Halt	400D	TBH	2	3	9
Output Timer B	400E	OTB	2	3	9
Read Configuration Word	8400	RCW	2	2	4
Read Fault Register Without Clear	8401	RFR	2	2	4
Read Interrupt Mask	A000	RMK	2	2	4
Read Pending Interrupt Register	A004	RPIR	2	2	4
Read Status Word	A00E	RSW	2	1	4
Read and Clear Fault Register	A00F	RCFR	2	2	4
Input Timer A	C00A	ITA	2	2	4
input Timer B	C00E	ITB	2	2	4
Implemented in BPU					
Memory Protect Enable	4003	MPEN	2	4	8
Load Memory Protect RAM	50XX	LMP	2	4	8
Read Memory Protect RAM	D0XX	RMP	2	3	3
Implemented in MMU					
Write Instruction Page Register	51XY	WIPR	2	4	8
Write Operand Page Register	52XY	WOPR	2	4	8
Read Memory Fault Status	A00D	RMFS	2	3	3
Read Instruction Page Register	D1XY	RIPR	2	3	3
Read Operand Page Register	D2XY	ROPR	2	3	3

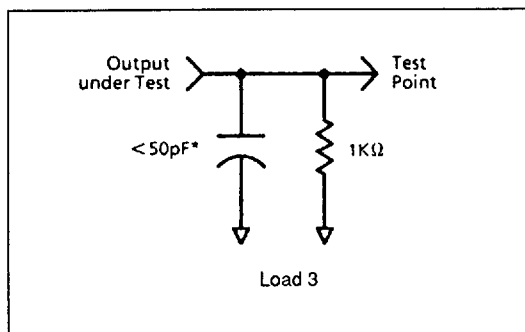
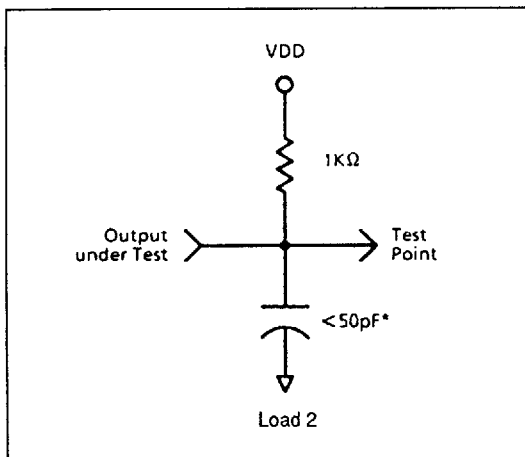
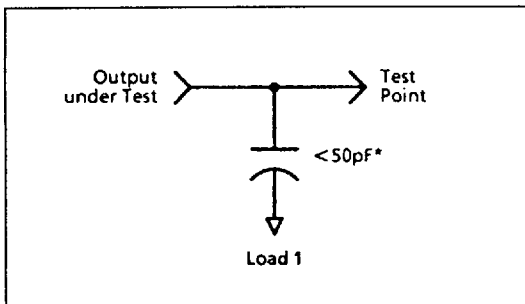
* M = memory, P = processor (5 OSC cycles), B = processor (6 OSC cycles),

a = average if more than one alternative exists

Table 7b: Internal I/O Command Summary

5.0 TIMING CHARACTERISTICS & DIAGRAMS

This section provides detailed timing specifications for the MAS281, under the test loads detailed below. Cross hatching in all figures indicates either a "don't care" or undeterminate state.



*Includes all jig and parasitic capacitance

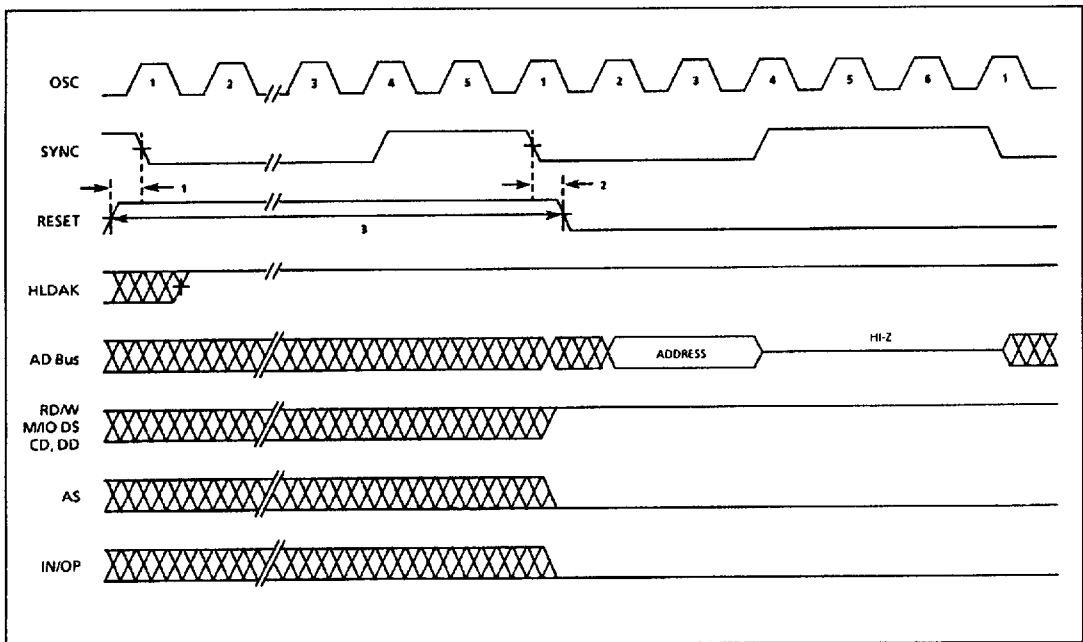


Figure 12: Reset Timing

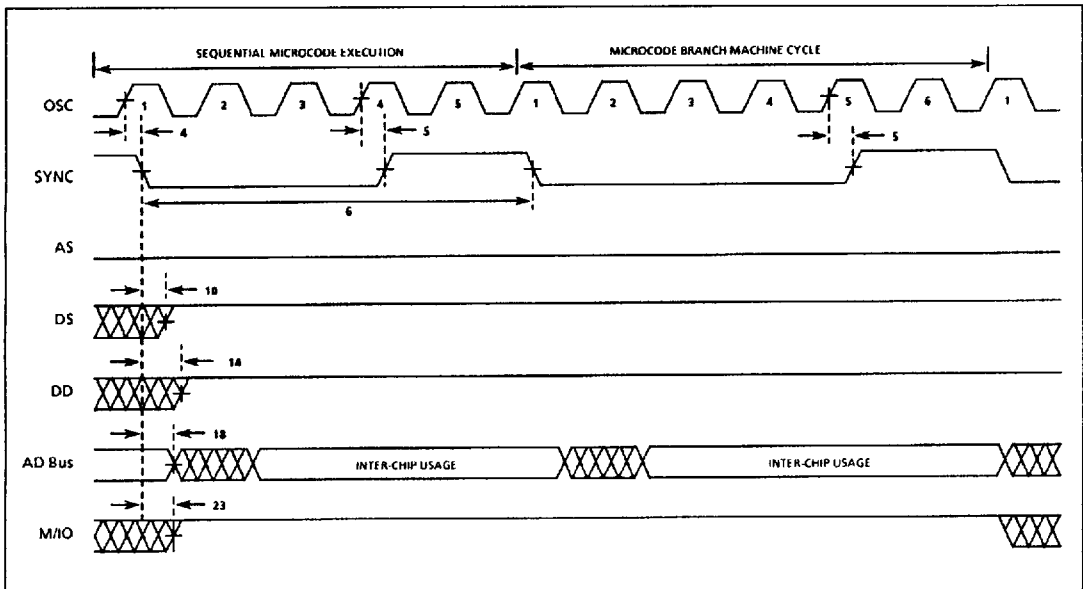
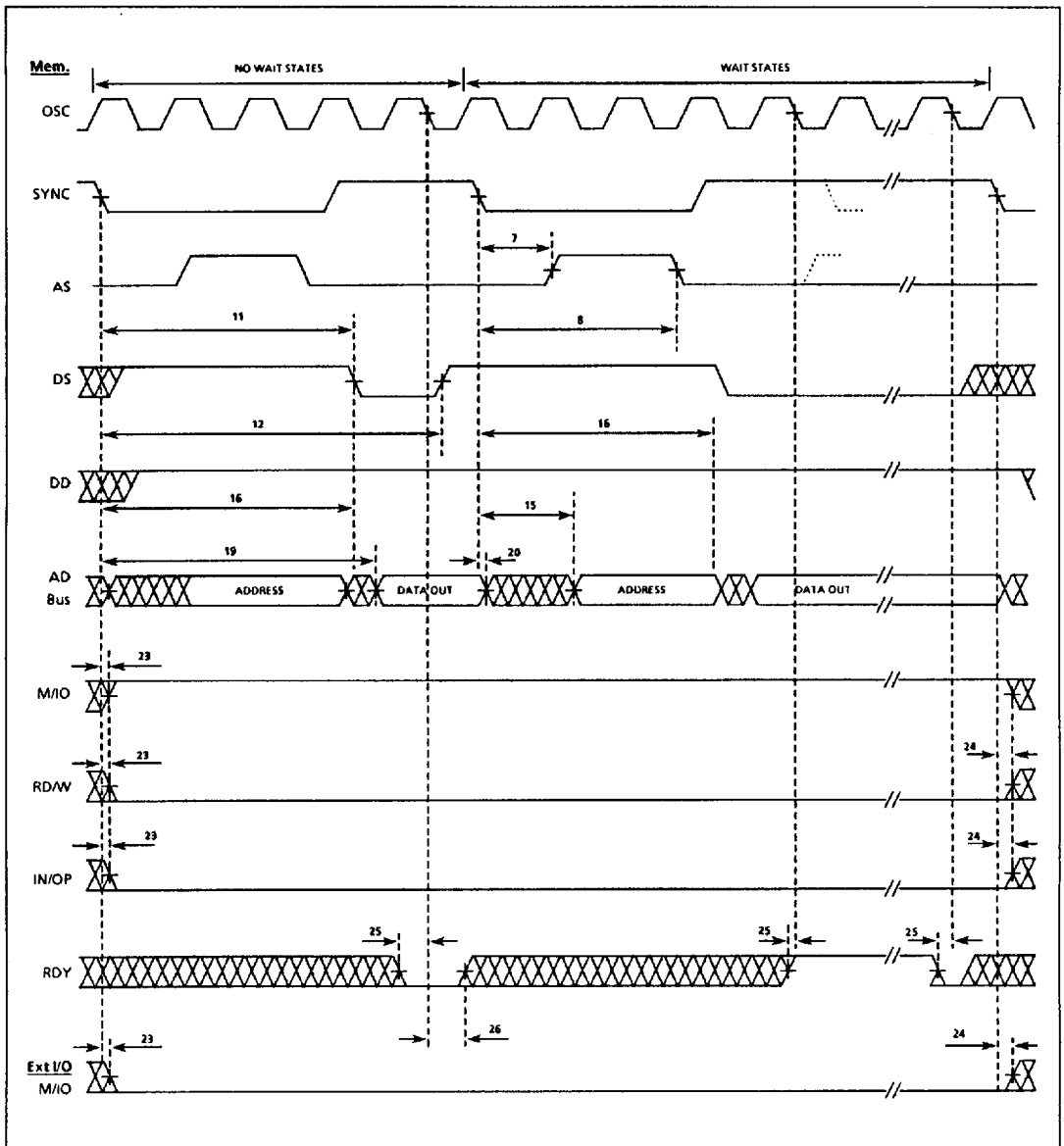


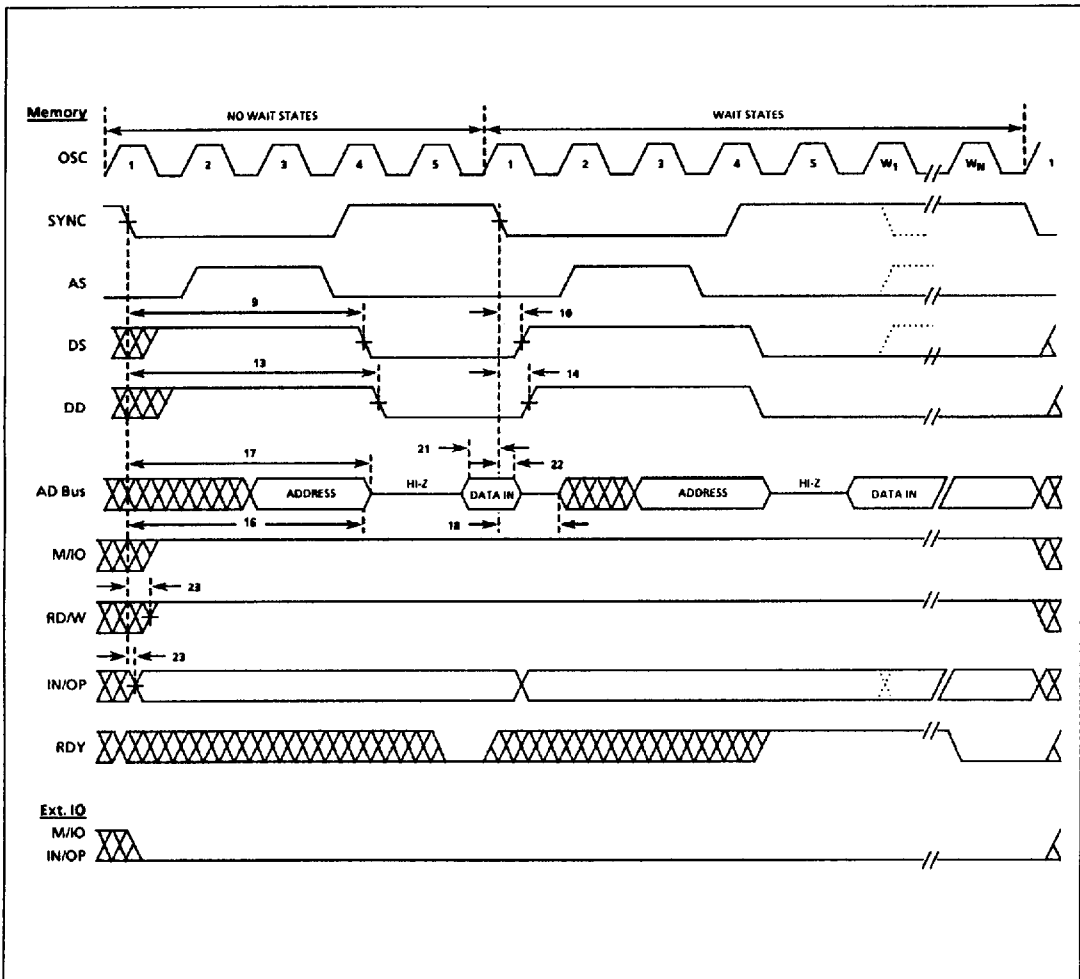
Figure 13: Internal CPU Operations



NOTES:

1. Dashed timing lines indicate no-wait cycle timing.
2. Other output states: CD = HIGH and DMAK = HIGH
3. Other required input states: HOLD = HIGH, DMAR = HIGH and RESET = LOW.

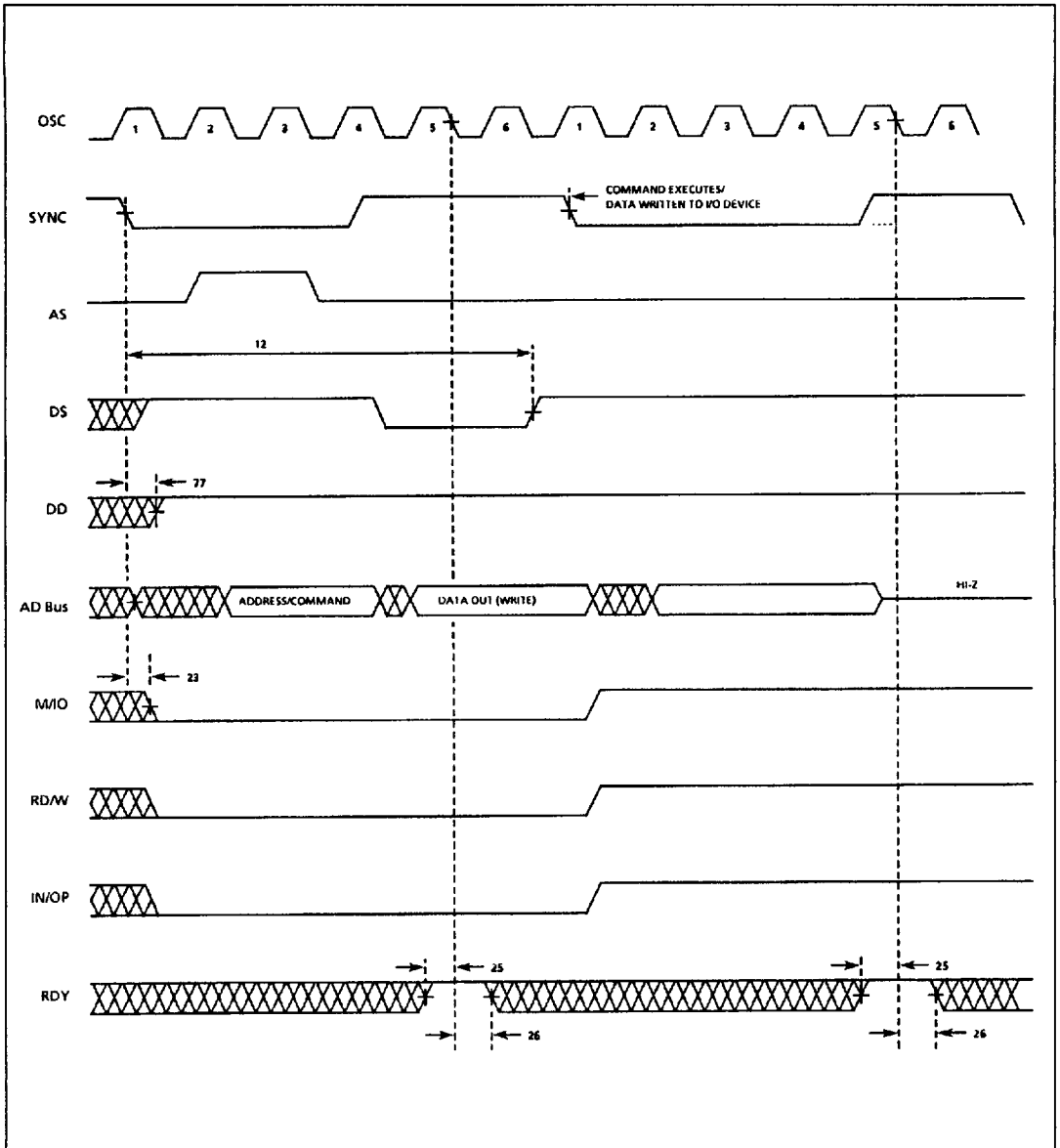
Figure 14: Write Transfer Timing



NOTES:

1. Dashed timing lines indicate no-wait cycle timing.
2. Other output states: CD = HIGH, HLD_{AK} = HIGH and DMAK = HIGH
3. Other required input states: HOLD = HIGH, DMAR = HIGH and RESET = LOW.

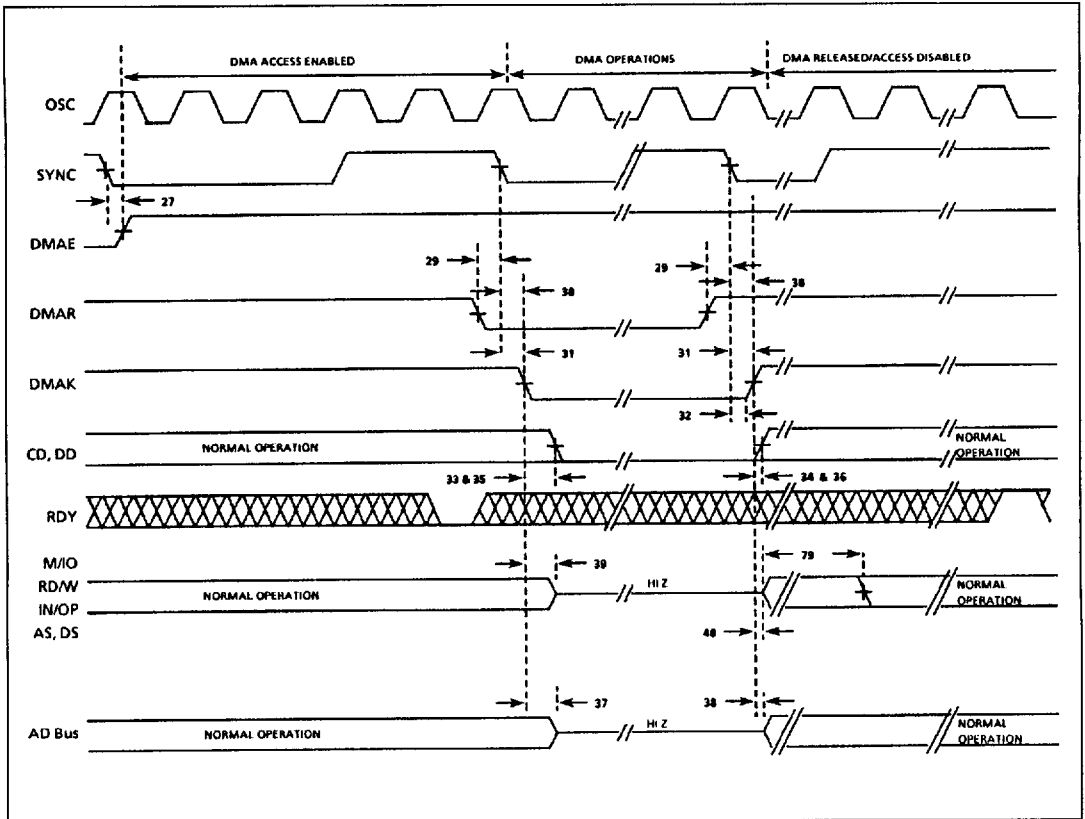
Figure 15: Read Transfer Timing.



NOTES:

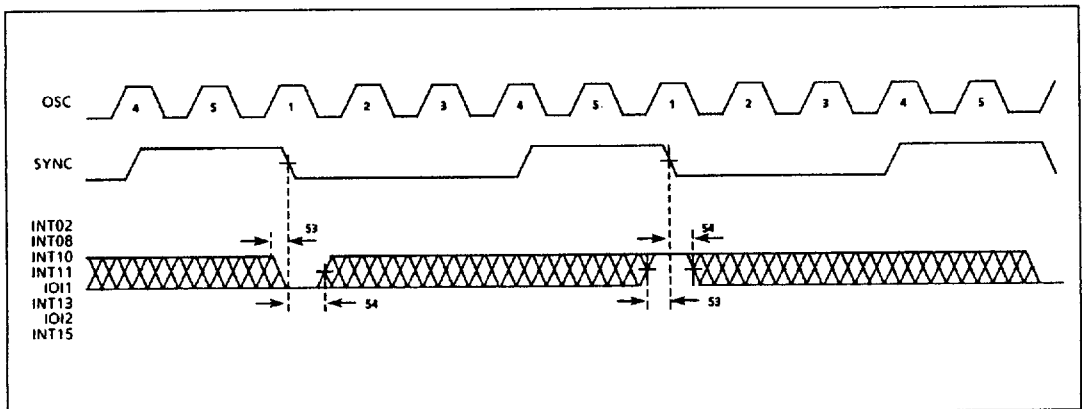
1. Dashed timing lines indicate no-wait cycle timing.
2. Other output states: CD = HIGH, HLD/AK = HIGH and DMAK HIGH
3. Other required input states: HOLD = HIGH, DMAR = HIGH and RESET = LOW.

Figure 16: Internal I/O Write/Command



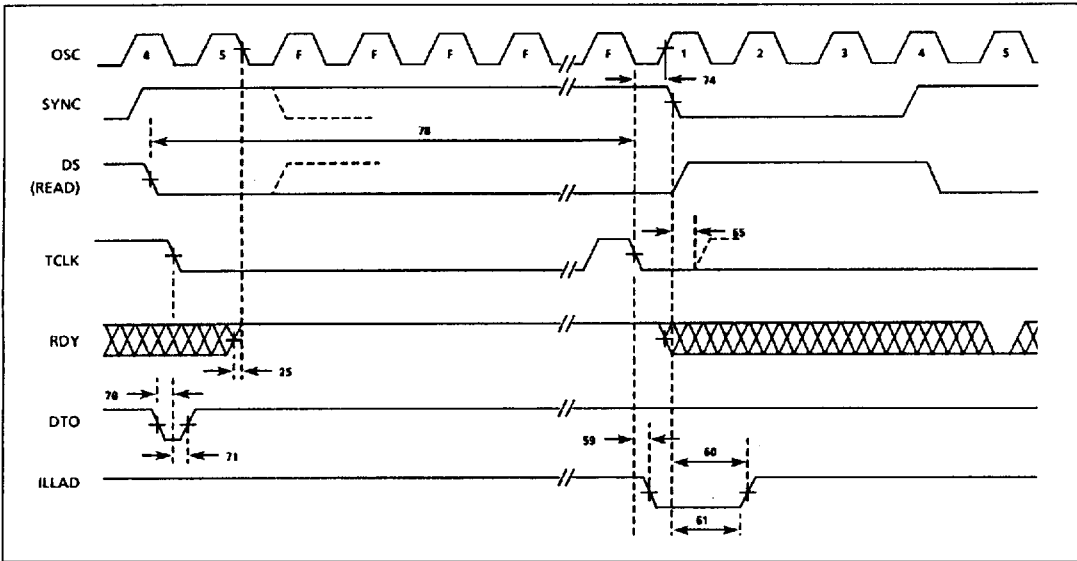
NOTE:
Other required input states: DTIMER = HIGH and RESET = LOW

Figure 18: DMA Access/Release Timing



NOTE:
Other required input: RESET = LOW

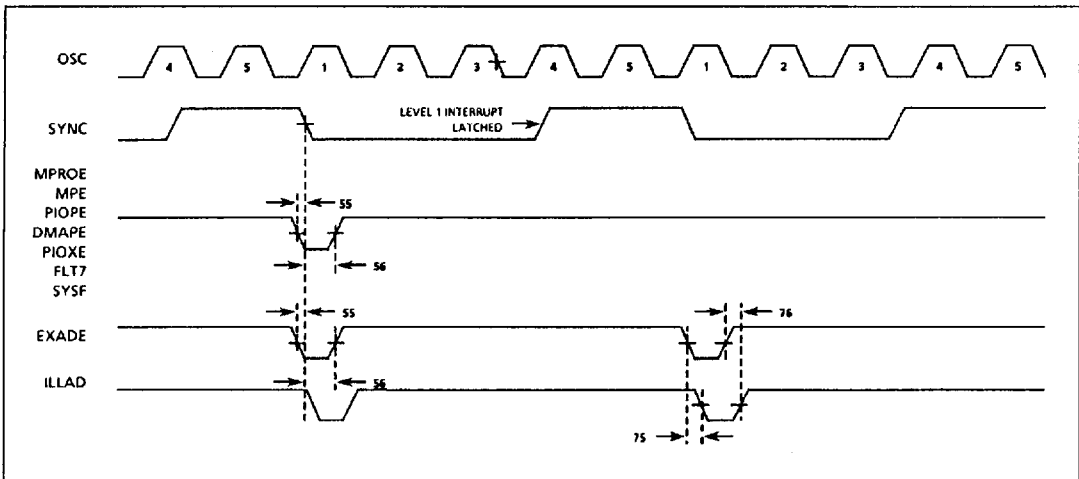
Figure 19: Interrupt Request Timing



NOTES:

1. 2 TCLK falling edges during a continuous DS = low are necessary to cause a bus fault timeout.
2. Other output states: HLDAK = HIGH.
3. Other required input states: DTO = HIGH and RESET = LOW.

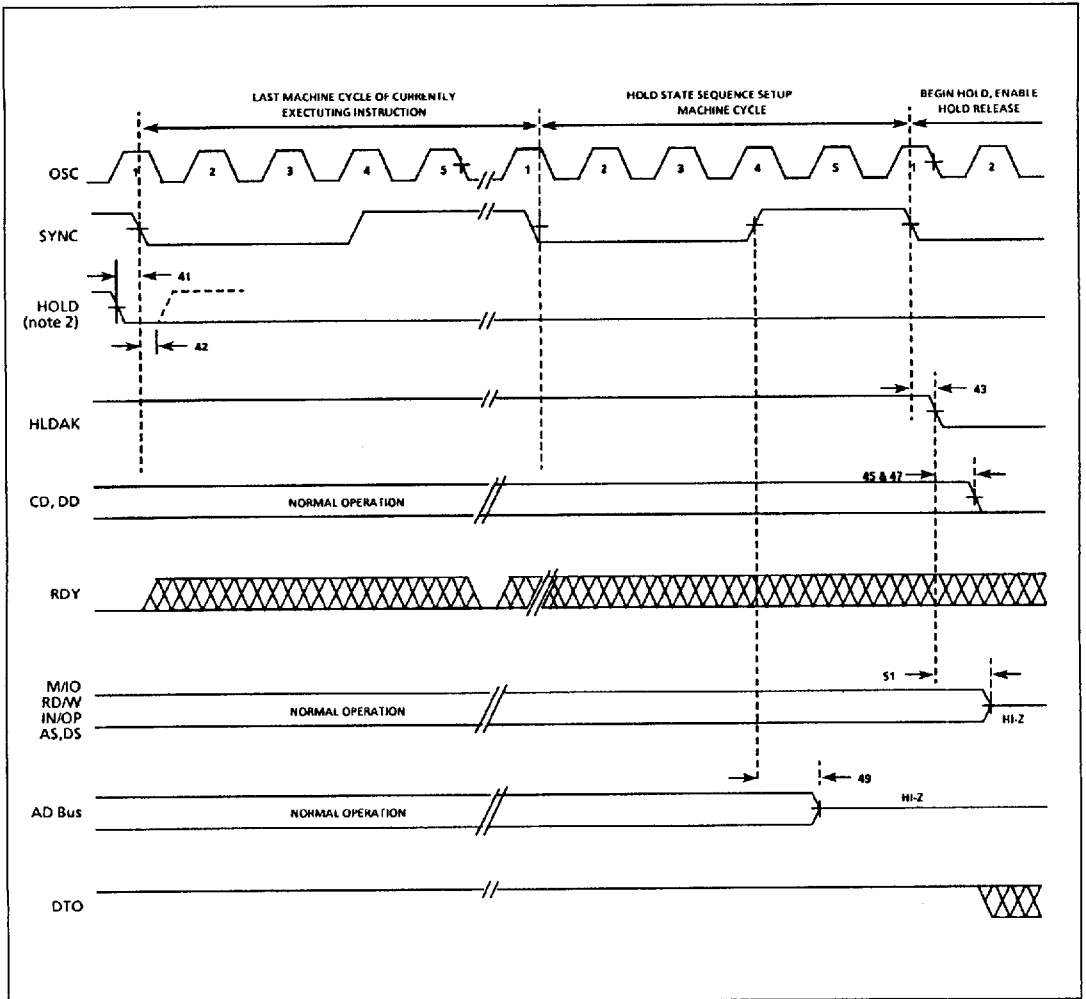
Figure 20: Bus Fault Timeout Timing



NOTES:

1. Assumes only one fault active at a time.
2. Buffered EXADE.
3. Other required input state: RESET = LOW.

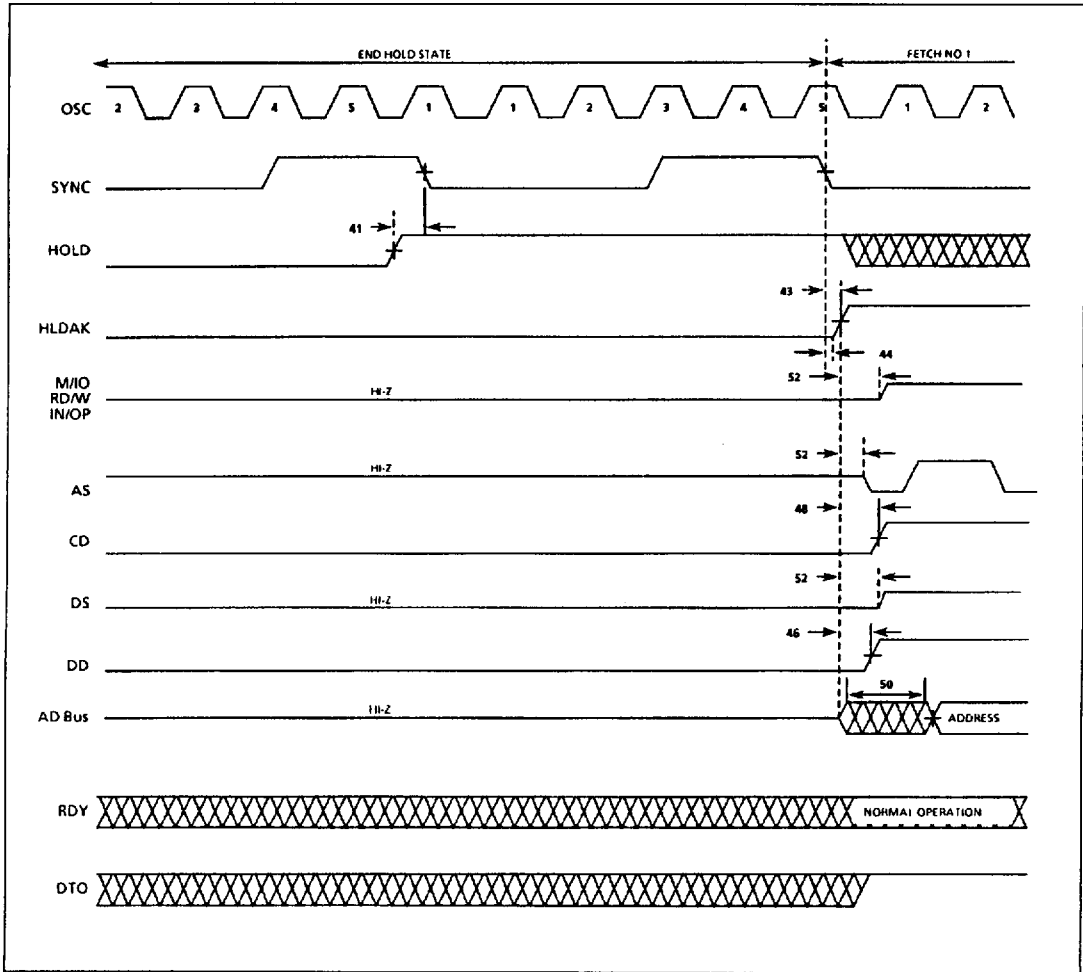
Figure 21: Fault Capture Timing



NOTES:

1. The "don't care" state will continue to exist until HLDACK = HIGH, RDY will then resume normal operation.
2. HOLD falling may occur at any time during software execution. The diagram shows the last possible time it can occur and be assured of entering the HOLD state after the current instruction completes execution.
3. Other required input states: RESET = LOW.

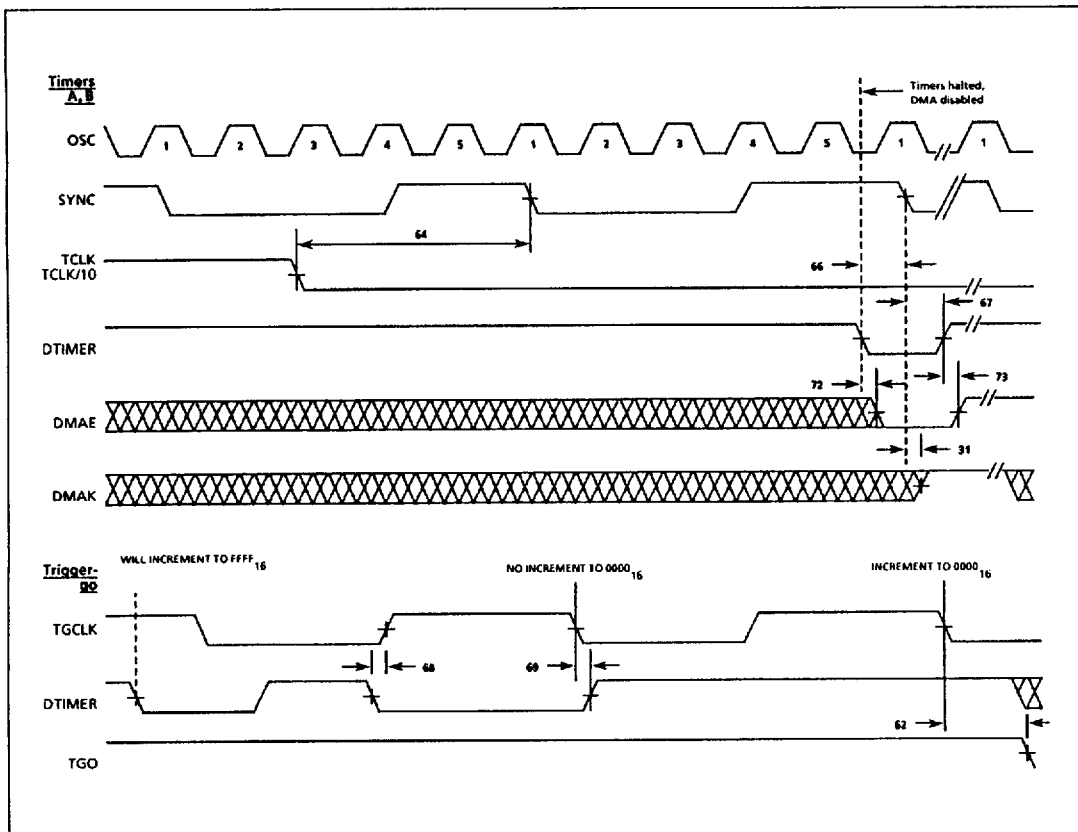
Figure 22: Hold State Generation Timing



NOTES:

1. ADDRESS = IC(BPT) initiated the Hold state.
- ADDRESS = IC(Hold) - 2, if HOLD = LOW initiated the Hold state (unless changed by the monitor system).
2. Other output states: DMAK HIGH.
3. Other required input states: DMAR = HIGH and RESET = LOW.

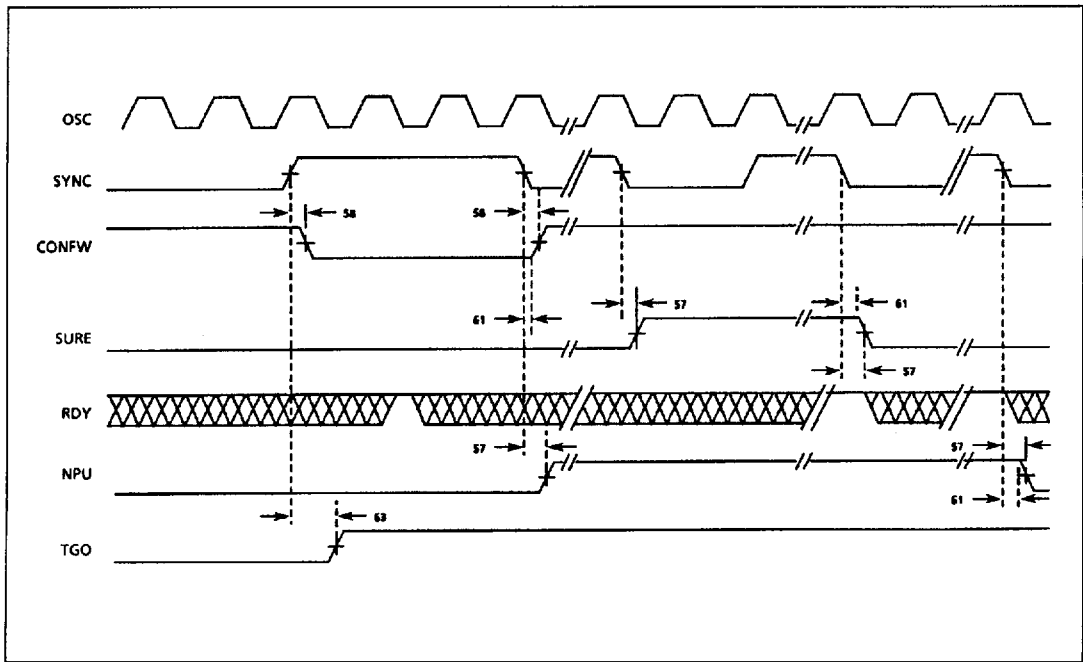
Figure 23: Hold State Termination Timing



NOTES:

1. Other required input: RESET = LOW.
2. TCLK/10 is the internally derived Timer B clock.
3. Timers A and B are clocked on the second SYNC falling edge after TCLK set-up time is satisfied.

Figure 24: Timer Operations



NOTES:

1. Other required input states: RESET = LOW.

Figure 25: Discrete Outputs Timing

6.0 ABSOLUTE MAXIMUM RATINGS

Parameter	Min	Max	Units
Supply voltage	-0.5	7	V
Input voltage	-0.3	$V_{DD}+0-3$	V
Current through any pin	-20	20	mA
Operating temperature	-55	125	°C
Storage temperature	-65	150	°C

Stresses above those listed may cause permanent damage to the device. This is a stress rating only and functional operation of the device at these conditions, or at any other condition above those indicated in the operations section of this specification is not implied. Exposure to absolute maximum rating conditions for extended periods may affect device reliability.

Table 8: Absolute Maximum Ratings

DEFINITION OF SUBGROUPS

Subgroup	Definition
1	Static characteristics specified in Table 9 at +25°C
2	Static characteristics specified in Table 9 at +125°C
3	Static characteristics specified in Table 9 at -55°C
7	Functional characteristics specified at +25°C
8A	Functional characteristics specified at +125°C
8B	Functional characteristics specified at -55°C
9	Switching characteristics specified in Table 10 at +25°C
10	Switching characteristics specified in Table 10 at +125°C
11	Switching characteristics specified in Table 10 at -55°C

7.0 DC ELECTRICAL CHARACTERISTICS

Symbol	Parameter	Condition	Total Dose Radiation Not Exceeding 3×10^5 Rad (Si)			Units
			Min.	Typ.	Max.	
V_{DD}	Supply voltage		4.5	5.0	5.5	V
V_{IH}	TTL Input High Voltage		2.0			V
V_{IL}	TTL Input Low Voltage				0.8	V
V_{CH}	OSC Input High Voltage		4.0			V
V_{CL}	OSC Input Low Voltage				1.0	V
V_{OH}	TTL Output High Voltage	$I_{OH} = -1.4\text{mA}$ $V_{DD} = 4.5\text{V}$	3.5			V
V_{OL}	TTL Output low Voltage	$I_{OL} = 2.0\text{mA}$ $V_{DD} = 5.5\text{V}$			0.4	V
I_{IZ}	Input Leakage Current (Note 1)	$V_{DD} = 5.5\text{V}$			± 10	μA
I_{OZ}	Output Leakage Current (Note 1)	$V_{DD} = 5.5\text{V}$			± 150	μA
I_{DD}	Power Supply Current	$f = 20\text{MHz}$		70	133	mA

Mil-Std-883, method 5005, subgroups 1, 2, 3

$V_{DD} = 5\text{V} \pm 10\%$, over full operating temperature range

Note 1: Worst case at $T_A = +125^\circ\text{C}$, guaranteed but not tested at $T_A = -55^\circ\text{C}$

Table 9: Operating DC Electrical Characteristics

8.0 TIMING PARAMETERS

NO.	Parameter	Test Condition (notes 1 & 9)	Min. (note 2)	Max. (note 2)	Units
1	RESET setup to SYNC lo (note 3)		-	30	ns
2	RESET hold after SYNC lo (note 3)		-	15	ns
3	RESET hi to RESET lo (note 3)		2	-	SYNC
4	OSC hi to SYNC lo	Load 1	10	40	ns
5	OSC hi to SYNC hi	Load 1	10	40	ns
6	SYNC lo to SYNC lo (notes 4 & 5)	Load 1	$5_T - 2$	$5_T + 2$	ns
7	SYNC lo to AS hi (note 6)	Load 1	$1_T - 10$	$1_T + 5$	ns
8	SYNC lo to AS lo	Load 1	$2.5_T - 10$	$2.5_T + 15$	ns
9	SYNC lo to DS lo (read)	Load 1	$3_T - 5$	$3_T + 20$	ns
10	SYNC lo to DS hi (read)	Load 1	10	30	ns
11	SYNC lo to DS lo (write)	Load 1	$3_T - 5$	$3_T + 22$	ns
12	SYNC lo to DS hi (write) (note 5)	Load 1	$4.5_T - 5$	$4.5_T + 10$	ns
13	SYNC lo to DD lo	Load 1	$3_T + 20$	$3_T + 60$	ns
14	SYNC lo to DD hi	Load 1	20	60	ns
15	SYNC lo to Address valid	Load 2	-	68	ns
16	Address valid after SYNC lo	Load 2	$3_T + 15$	-	ns
17	SYNC lo to AD Bus Hi-Z (read) (notes 7 & 10)	Load 2	-	$3_T + 50$	ns
18	SYNC lo to AD Bus active(read) (note 10)	Load 2	15	-	ns
19	SYNC lo to Data valid (write)	Load 2	-	$3_T + 45$	ns
20	Data valid after SYNC lo (write)	Load 2	12	-	ns
21	Data set up to SYNC lo (read)		20	-	ns
22	Data hold after SYNC lo (read) (note 8)	Load 2	0	-	ns
23	SYNC lo to M/I/O, RD/VV, IN/OP valid	Load 1	-	70	ns
24	M/I/O, RD/WN, IN/OP valid after SYNC lo	Load 1	5	-	ns
25	RDY setup to OSC lo		15	-	ns
26	RDY hold after OSC lo		5	-	ns
27	SYNC lo to DMAE valid	Load 1	-	75	ns
28	DMAE valid after SYNC lo	Load 1	5	-	ns
29	DMAR setup to SYNC lo		20	-	ns
30	DMAR hold after SYNC lo		10	-	ns

NOTES:

Mil-Std-883, method 5005, subgroups 9, 10, 11

1. Unless otherwise noted, test conditions are as follows: OSC duty cycle = 50%, input rise and fall time < 5ns, timing measured from 50% of VDD points.
2. $t = 1$ OSC period. $0.5t$ implies a 50% OSC duty cycle; fractional t 's may be adjusted to reflect actual OSC duty cycle.
3. Data obtained by characterisation or analysis, is not routinely measured.
4. Add 1t for potential branch cycle.
5. Add 1t for internal XIO cycle; nt for n memory wait states.
6. Excluding DMA or HOLD conditions.
7. Measured to pre-Hi-Z steady state $\pm 10\%$ of VDD.
8. Measurement minus 1×10^{-7} in $[1 - (VIL - 0.5VDD - 0.5)]$ nsecs.
9. Output references SYNC, DMAK, and HLDK drive into load 1.
10. Guaranteed by component LSI testing; not measured on microprocessor module.

Table 10. Timing Parameters

NO.	Parameter	Test Condition (notes 1 & 9)	Min. (note 2)	Max. (note 2)	Units
31	SYNC lo to DMAK valid	Load 1	-	50	ns
32	DMAK valid after SYNC lo	Load 1	5	-	ns
33	DMAK lo to DD lo	Load 1	-	30	ns
34	DMAK hi to DD hi	Load 1	-	30	ns
35	DMAK lo to CD lo	Load 1	-	30	ns
36	DMAK hi to CD hi	Load 1	-	30	ns
37	DMAK lo to AD Bus Hi-Z (note 7)	Load 2	-	70	ns
38	DMAK hi to AD Bus valid (note 10)	Load 2	-	60	ns
39	DMAK lo to AS, DS, M/IO, RD/W, IN/OP Hi-Z (note 7)	Load 2	-	50	ns
40	DMAK hi to AS, DS, M/IO, RD/W, IN/OP valid (note 10)	Load 2	-	59	ns
41	HOLD set up to SYNC lo		40	-	ns
42	HOLD hold after SYNC lo		15	-	SYNC
43	SYNC lo to HLDK valid	Load 1	-	20	ns
44	HLDK valid after SYNC lo	Load 1	-7	-	ns
45	HLDK lo to DD lo	Load 1	-	50	ns
46	HLDK hi to DD hi	Load 1	-	50	ns
47	HLDK lo to CD lo	Load 1	-	50	ns
48	HLDK hi to CD hi	Load 1	-	50	ns
49	HLDK lo to AD Bus Hi-Z (Hold) (notes 7 & 10))	Load 2	-	60	ns
50	HLDK hi to AD bus valid (note 10)	Load 2	-	50	ns
51	HLDK to AS, DS, M/IO, RD/W, IN/OP Hi-Z (notes 7 & 10)	Load 2	-	30	ns
52	HLDK to AS, DS, M/IO, RD/W, IN/OP valid (note 10)	Load 1	-	30	ns
53	Interrupts set up to SYNC lo		20	-	ns
54	Interrupts hold after SYNC lo		10	-	ns
55	Faults setup to SYNC lo		20	-	ns
56	Faults hold after SYNC lo		15	-	ns
57	SYNC lo to SURE, NPU valid	Load 1	-	50	ns
58	SYNC hi to CONFW valid	Load 1	-	75	ns
59	TCLK lo to ILLAD lo (Bus timeout) (note 10)	Load 1	-	75	ns
60	SYNC lo to ILLAD hi (Bus timeout) (note 10)	Load 1	-	75	ns

Notes:

1. Unless otherwise noted, test conditions are as follows: OSC duty cycle = 50%, input rise and fall time < 5ns, timing measured from 50% of VDD points.
2. $t = 1$ OSC period. 0.5t implies a 50% OSC duty cycle; fractional t's may be adjusted to reflect actual OSC duty cycle.
7. Measured to pre-Hi-Z steady state $\pm 10\%$ of VDD.
9. Output references SYNC, DMAK, and HLDK drive into load 1.
10. Guaranteed by component LSI testing; not measured on microprocessor module.

Table 10: Timing Parameters (continued)

NO.	Parameter	Test Condition (notes 1 & 9)	Min. (note 2)	Max. (note 2)	Units
61	SURE, NPU, ILLAD, CONFW valid after SYNC lo (note 10)	Load 1	5	-	ns
62	TGCLK lo to TGO lo (Timer clocking) (note 10)	Load 1	-	150	ns
63	SYNC hi to TGO hi (Reset Trigger-Go XIO) (note 10)	Load 1	-	75	ns
64	TCLK setup to SYNC lo (note 10)		30	-	ns
65	TCLK hold after SYNC lo (note 10)		10	-	ns
66	DTIMER setup to SYNC lo (note 10)		50	-	ns
67	DTIMER hold after SYNC lo (note 10)		10	-	ns
68	DTIMER setup to TGCLK hi (note 10)		30	-	ns
69	DTIMER hold after TGCLK lo (note 10)		12	-	ns
70	DTO setup to TCLK lo (note 10)		30	-	ns
71	DTO hold after TCLK lo (note 10)		10	-	ns
72	DTIMER lo to DMAE lo (note 10)	Load 1	-	60	ns
73	DTIMER hi to DMAE normal operation (note 10)	Load 1	-	60	ns
74	TCLK lo to Normal operation after bus timeout (note 10)		-	100	ns
75	EXADE lo to ILLAD lo (note 10)	Load 1	-	60	ns
76	EXADE hi to ILLAD hi (note 10)	Load 1	-	60	ns
77	SYNC lo to DD hi (Internal to XIO) (note 3, 10)	Load 1	-	60	ns
78	Bus fault timeout interval (note 3, 10)		1	2	TCLK
79	DD hi to AS lo (DMA) (note 3, 10)	Load 1	20	-	ns
80	DS hi to Data valid (note 10)	Load 1 (DS), Load 2 (Data)	15	-	ns

Notes:

1. Unless otherwise noted, test conditions are as follows: OSC duty cycle = 50%, input rise and fall time < 5ns, timing measured from 50% of VDD points.
2. $t = 1$ OSC period $0.5t$ implies a 50% OSC duty cycle; fractional t 's may be adjusted to reflect actual OSC duty cycle
3. Data obtained by characterisation or analysis, is not routinely measured.
9. Output references SYNC, DMAK, and HLDK drive into load 1.
10. Guaranteed by component LSI testing: not measured on microprocessor module.

Table 10: Timing Parameters (continued)

9.0 CHIP SET INTERCONNECTION

To form the MAS281 processor from the individual chips MA17501, MA17502 and MA17503, connects should be made as shown below.

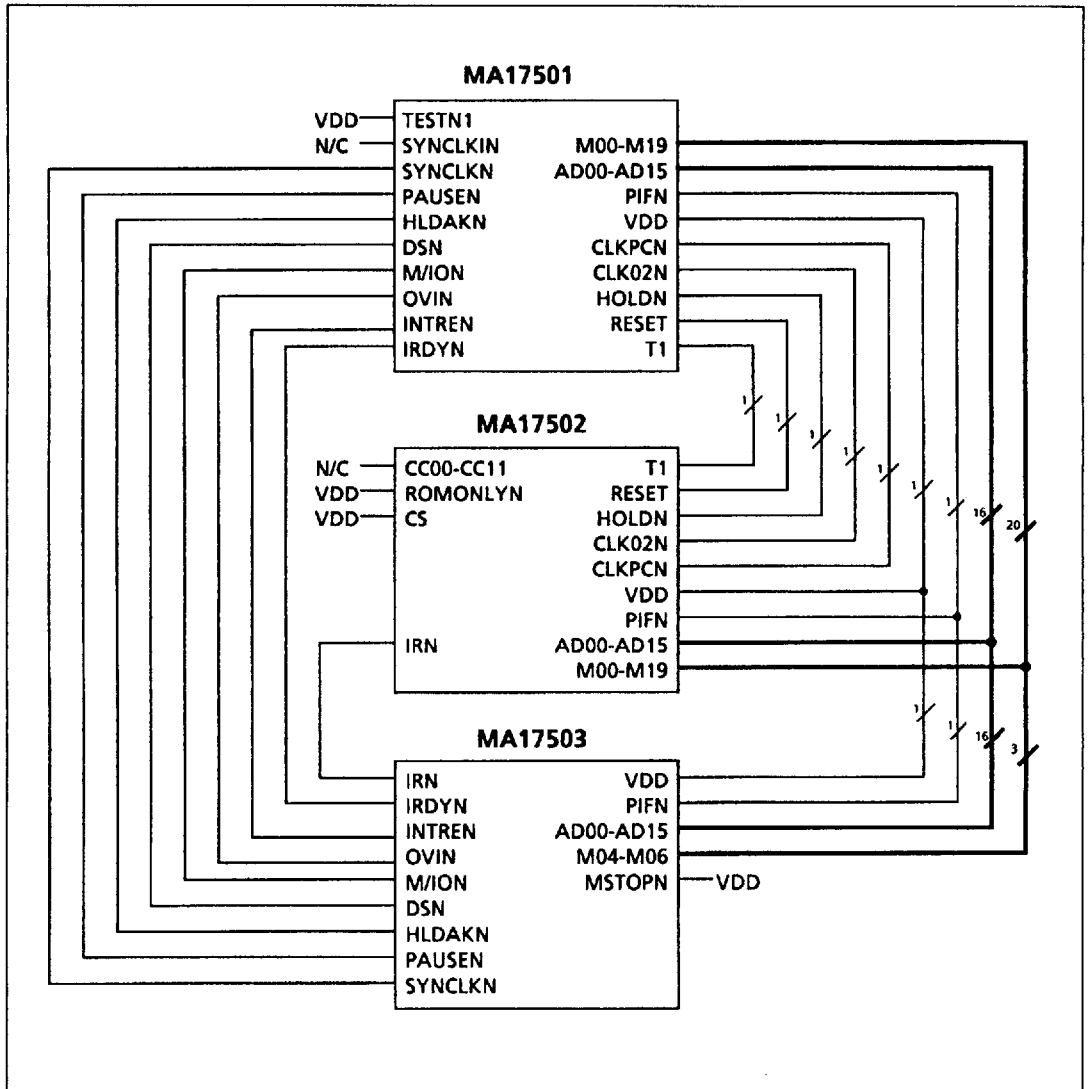


Figure 26: Chip Set Interconnection Diagram

MAS281

10.0 PACKAGING INFORMATION

DUAL-IN-LINE CERAMIC MODULE
(MAS281 - PACKAGE TYPE C)

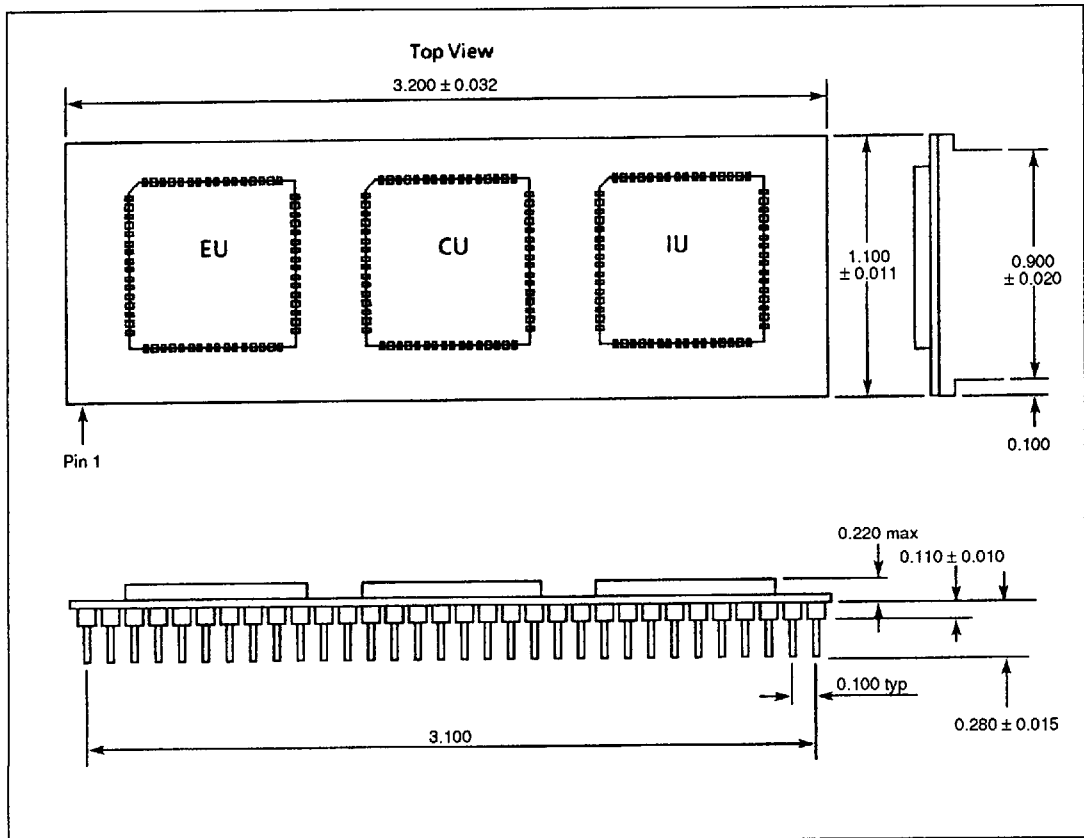


Figure 27: Dimensioned Drawing

FLATPACK CERAMIC MODULE
(MAS281 - PACKAGE TYPE F)

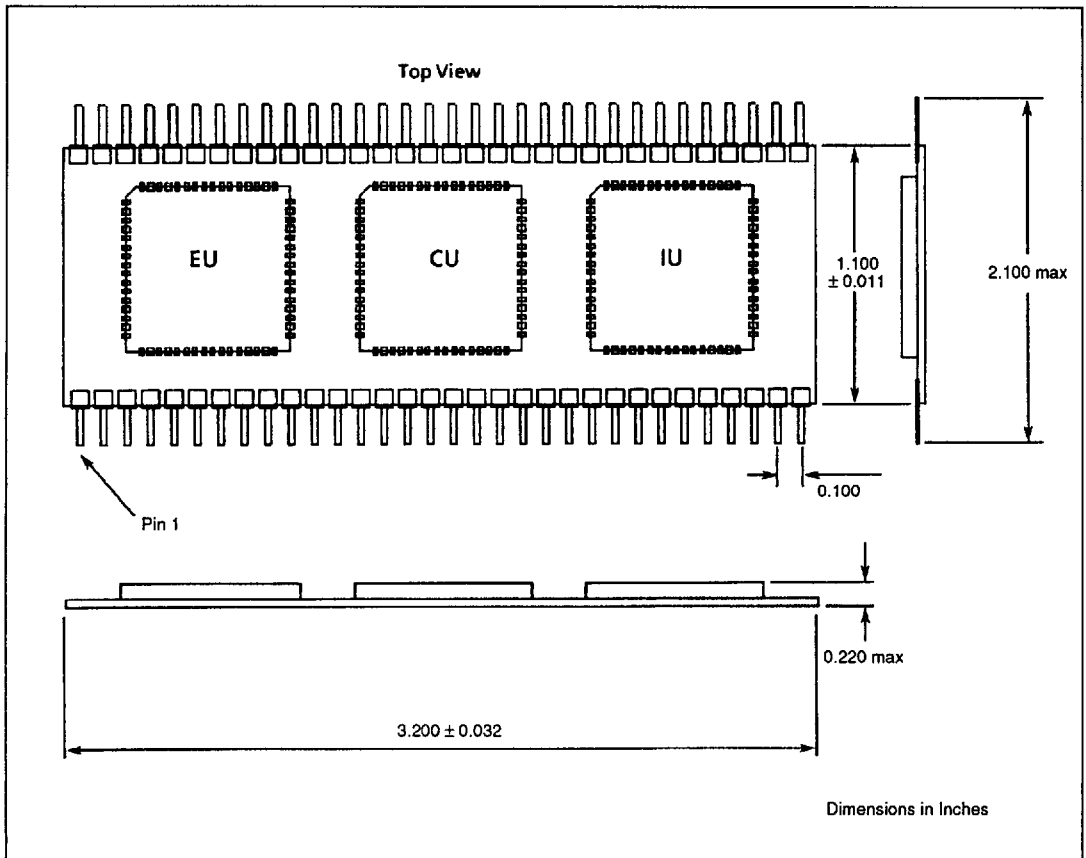


Figure 28a: Dimensioned Drawing

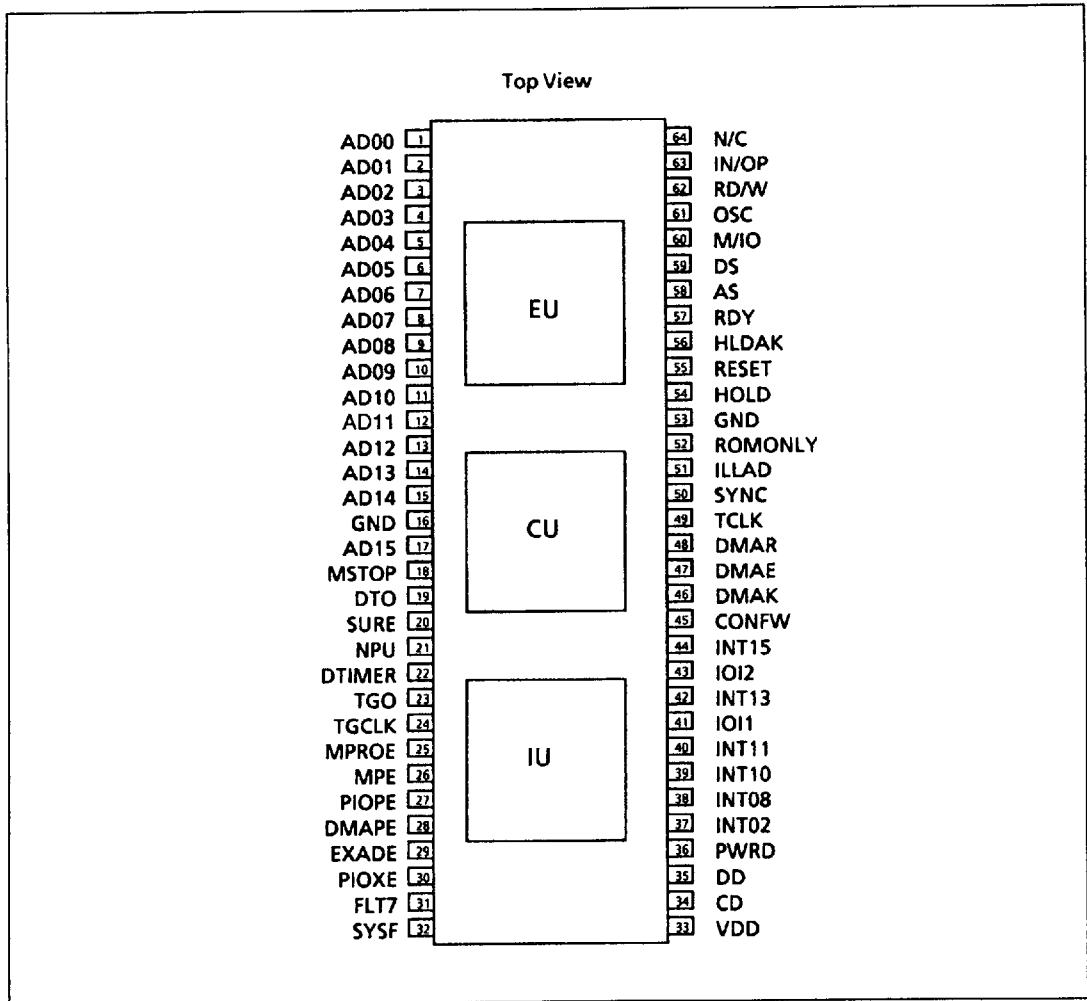


Figure 28b: Pin Assignment for Dual-In-Line (Type C) and Flatpack (Type F) Ceramic Modules

CERAMIC DUAL-IN-LINE
(MA17501 TO MA17503 - PACKAGE TYPE C)

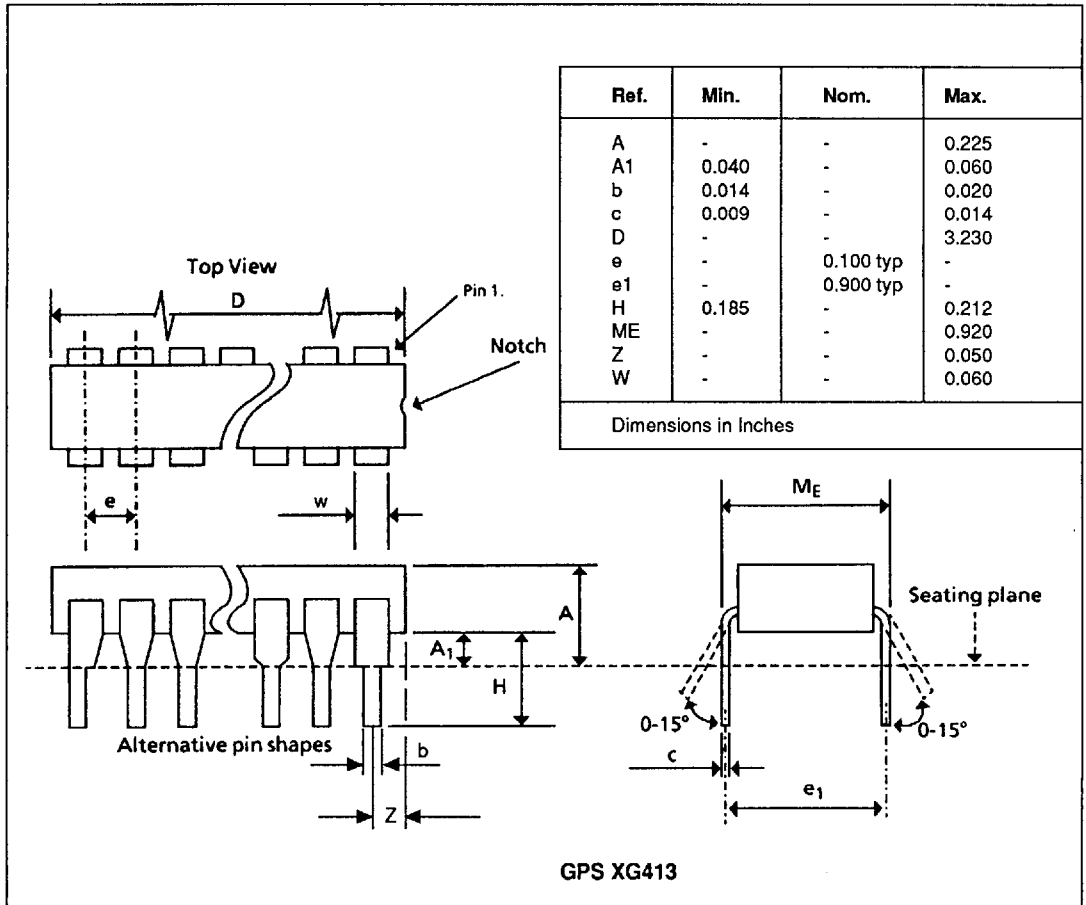
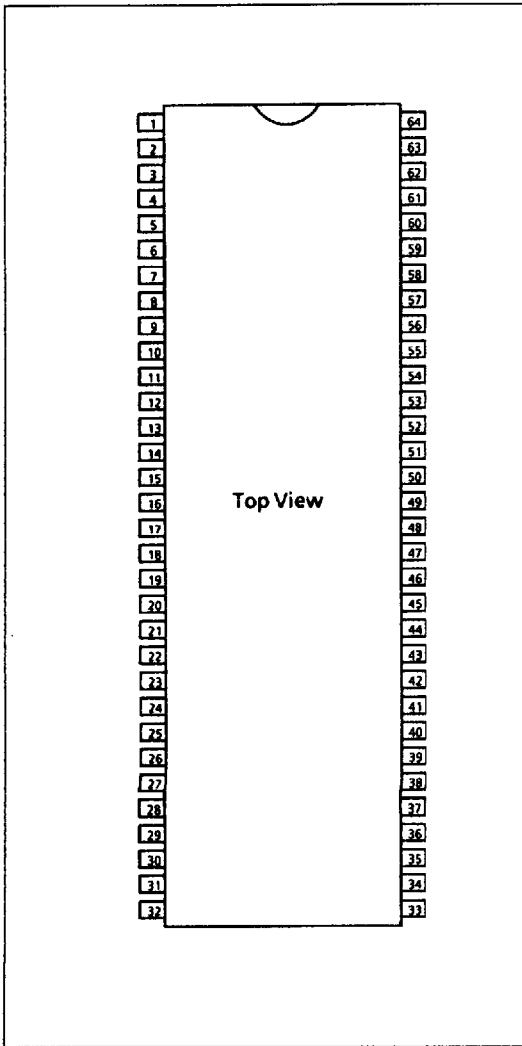


Figure 29a: Dimensioned Drawing



Pin No.	17501	17502	17503
1	OSC	IRN	ILLADN
2	NC	VDD	DTON
3	SYSCLK1N	PIFN	SYNCLKN
4	SYNCLKN	AD00	DSN
5	CLKPCN	AD01	INTREN
6	CLK02N	AD02	CONFWN
7	AS	AD03	IRDYN
8	DSN	AD04	M/ION
9	GND	AD05	DMAKN
10	M/ION	AD06	DMAE
11	RD/WN	AD07	DMARN
12	GND	AD08	M04
13	IN/OPN	AD09	M05
14	INTREN	AD10	M06
15	PIFN	AD11	TCLK
16	M19	AD12	AD00
17	M18	AD13	AD01
18	M17	AD14	AD02
19	M16	AD15	AD03
20	M15	CLK02N	AD04
21	M14	CLKPCN	AD05
22	M13	M19	AD06
23	M12	M18	AD07
24	M11	M17	AD08
25	M10	M16	AD09
26	M09	M15	AD10
27	M08	M14	AD11
28	M07	M13	AD12
29	M06	M12	AD13
30	M05	M11	AD14
31	M04	M10	AD15
32	M03	M09	GND
33	M02	M08	MSTOPN
34	M01	NC	SURE
35	M00	M07	NPU
36	TESTN	M06	DDN
37	AD15	M05	DTIMERN
38	AD14	M04	TGON
39	AD13	M03	TGCLK
40	AD12	M02	CDN
41	NC	M01	PIFN
42	VDD	GND	MPROEN
43	AD11	CS	MPEN
44	AD10	M00	PIOPEN
45	AD09	CC00	DMAPEM
46	AD08	CC01	EXADEN
47	AD07	CC02	PIOXEN
48	AD06	CC03	FLT7N
49	AD05	CC04	SYSFN
S0	AD04	CC05	VDD
S1	AD03	CC06	IRN
S2	GND	CC07	PAUSEM
S3	AD02	CC08	OVI
S4	AD01	CC09	PWRDN
S5	AD00	CC10	INT02N
S6	HOLDN	CC11	INT08N
S7	RESET	ROMONLYN	INT10N
S8	HLDKKN	NC	INT11N
S9	PAUSEM	GND	IO11N
S0	T1	NC	INT13N
S1	OVIN	NC	IO12N
S2	IRDYN	T1	INT15N
S3	RDYN	RESET	HLDKKN
S4	SYNKN	HOLDN	NC

Figures 29b: Pin Assignments

LEADLESS CHIP CARRIER
(MA17501 TO 3 - PACKAGE TYPE L)

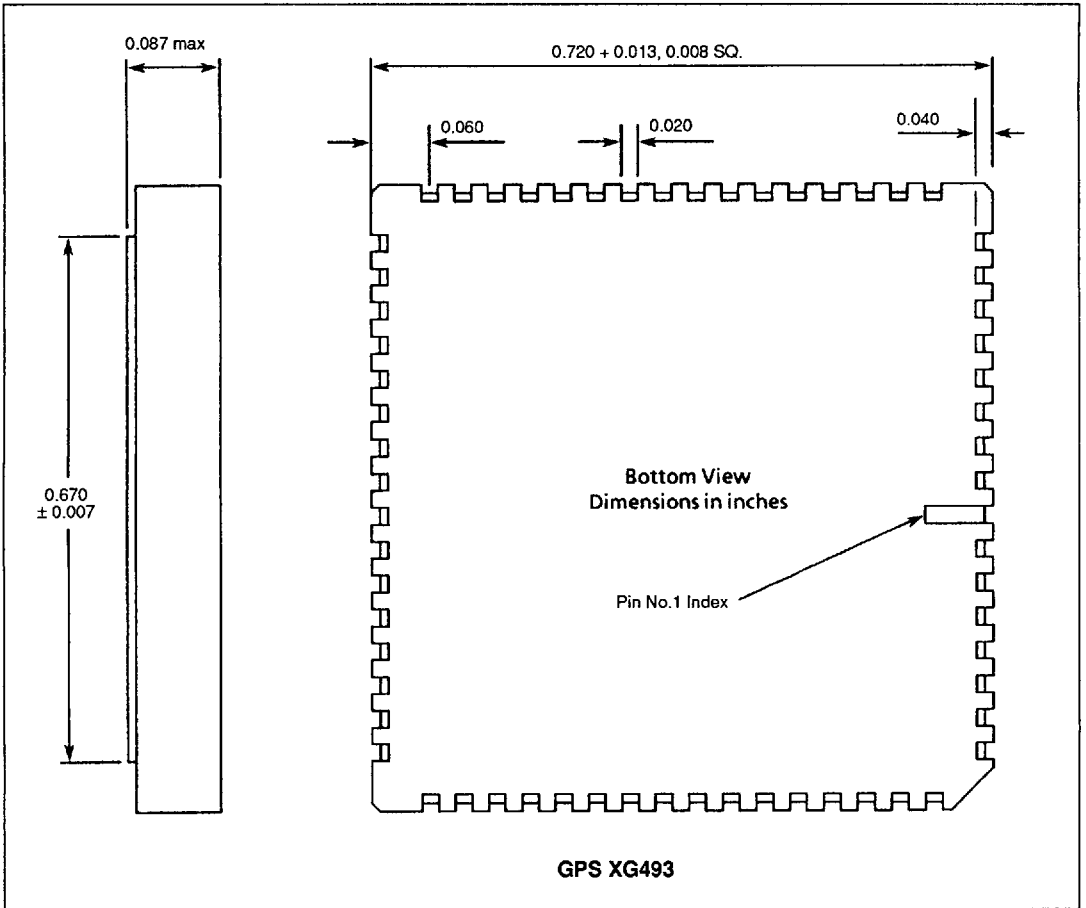
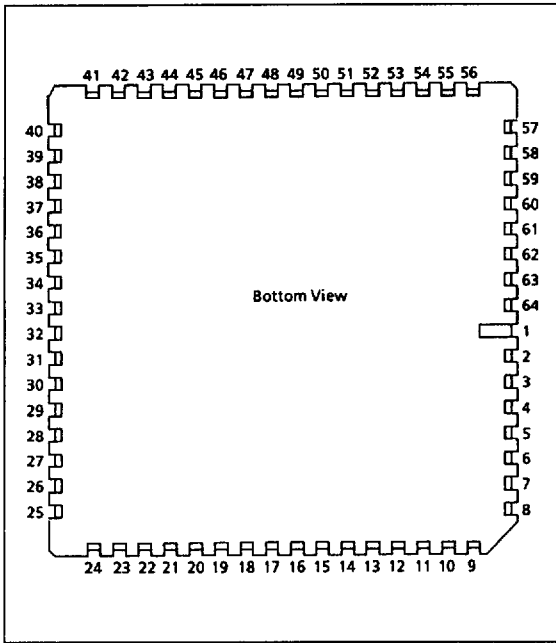


Figure 30a: Dimensioned Drawing



Pin No.	17501	17502	17503
1	OSC	IRN	ILLADN
2	NC	VDD	DTON
3	SYNCLK1N	PIFN	SYNCLKN
4	SYNCLKN	AD00	DSN
5	CLKPCN	AD01	INTREN
6	CL K02N	AD02	CONFWN
7	AS	AD03	IRDYN
8	D5N	AD04	M/ION
9	GND	AD05	DMAKN
10	M/ION	AD06	DMAE
11	RD/WN	AD07	DMARN
12	GND	AD08	M04
13	IN/OPN	AD09	M05
14	INTREN	AD10	M06
15	PIFN	AD11	TCLK
16	M19	AD12	AD00
17	M18	AD13	AD01
18	M17	AD14	AD02
19	M16	AD15	AD03
20	M15	CLK02N	AD04
21	M14	CLKPCN	AD05
22	M13	M19	AD06
23	M12	M18	AD07
24	M11	M17	AD08
25	M10	M16	AD09
26	M09	M15	AD10
27	M08	M14	AD11
28	M07	M13	AD12
29	M06	M12	AD13
30	M05	M11	AD14
31	M04	M10	AD15
32	M03	M09	GND
33	M02	M08	MSTOPN
34	M01	NC	SURE
35	M00	M07	NPU
36	TESTN	M06	DDN
37	AD15	M05	DTIMERN
38	AD14	M04	TGON
39	AD13	M03	TGCLK
40	AD12	M02	CDN
41	NC	M01	PIFN
42	VDD	GND	MPROEN
43	AD11	CS	MPEN
44	AD10	M00	PIOPEN
45	AD09	CC00	DMAPEN
46	AD08	CC01	EXADEN
47	AD07	CC02	PIOXEN
48	AD06	CC03	FLT7N
49	AD05	CC04	SYSFN
50	AD04	CC05	VDD
51	AD03	CC06	IRN
52	GND	CC07	PAUSEN
53	AD02	CC08	OVI
54	AD01	CC09	PWRDN
55	AD00	CC10	INT02N
56	HOLDN	CC11	INT08N
57	RESET	ROMONLYN	INT10N
58	HLDAKN	NC	INT11N
59	PAUSEN	GND	IO11N
60	T1	NC	INT13N
61	OVIN	NC	IO12N
62	IRDYN	T1	INT15N
63	RDYN	RESET	HLDAKN
64	SYNCLN	HOLDN	NC

Figures 30b: Pin Assignments

TOPBRAZE FLATPACK
(MA17501 TO 3 - PACKAGE TYPE F)

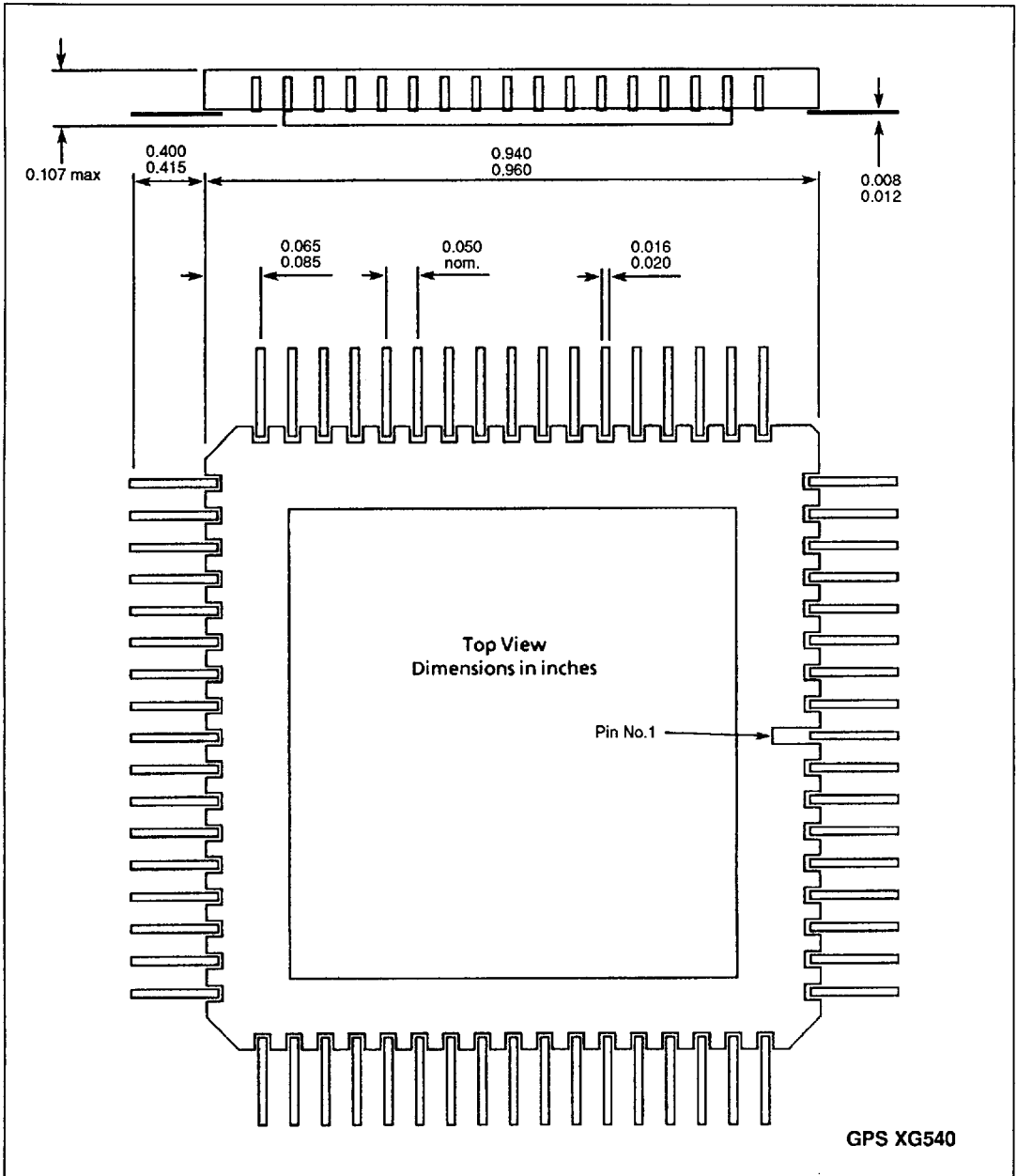
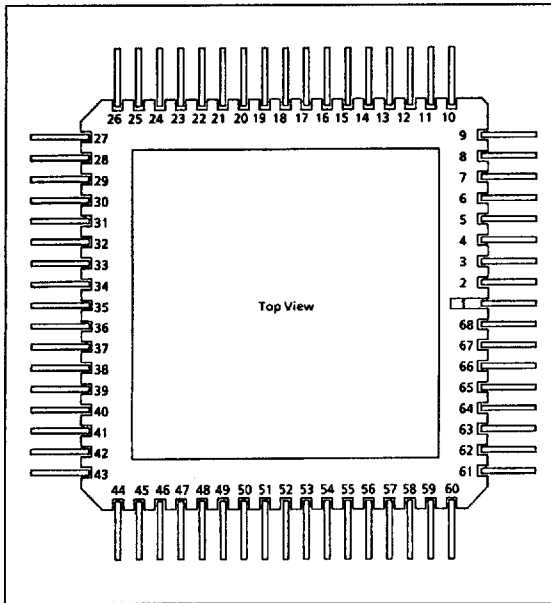


Figure 31a: Dimensioned Drawing



Pin No	17501	17502	17503
1	OSC	IRN	NC
2	NC	NC	ILLADN
3	NC	VDD	DTON
4	SYSCLKIN	PIFN	SYNCLKN
5	SYNCLKN	AD00	DSN
6	CLKPCN	AD01	INTREN
7	CLK02N	AD02	CONFWN
8	AS	AD03	IRDYN
9	DSN	AD04	M/ION
10	NC	AD05	DMAKN
11	GND	AD06	DMAE
12	M/ION	AD07	DMARN
13	RD/WN	AD08	M04
14	GND	AD09	M05
15	NC	AD10	M06
16	IN/OPN	AD11	TCLK
17	INTREN	AD12	AD00
18	PIFN	AD13	AD01
19	M19	AD14	AD02
20	M18	AD15	AD03
21	M17	CLK02N	AD04
22	M16	CLKPCN	AD05
23	M15	M19	AD06
24	M14	M18	AD07
25	M13	M17	AD08
26	M12	M16	NC
27	M11	M15	AD09
28	M10	M14	AD10
29	M09	M13	AD11
30	M08	M12	AD12
31	M07	M11	AD13
32	M06	M10	AD14
33	M05	M09	AD15
34	M04	M08	NC
35	M03	NC	GND
36	M02	NC	MSTOPN
37	M01	M07	SURE
38	M00	M06	NPU
39	TESTN	M05	DDN
40	AD15	M04	DTIMERN
41	AD14	M03	TGON
42	AD13	M02	TGCLK
43	AD12	M01	CDN
44	NC	NC	PIFN
45	NC	GND	MPROEN
46	VDD	CS	MPEN
47	AD11	M00	PIOPEN
48	AD10	CC00	DMAPEN
49	AD09	CC01	EXADEN
50	AD08	CC02	PIOXEN
51	AD07	CC03	FLT7N
52	AD06	CC04	SYSFN
53	AD05	CC05	VDD
54	AD04	CC06	NC
55	AD03	CC07	IRN
56	GND	CC08	PAUSEN
57	AD02	CC09	OVI
58	AD01	CC10	PWRDN
59	AD00	CC11	INT02N
60	HOLDN	ROMONLYN	INT08N
61	RESET	NC	INT10N
62	HLDAKN	GND	INT11N
63	PAUSEN	NC	IOI1N
64	T1	NC	INT13N
65	OVIN	NC	IOI2N
66	IRDYN	T1	INT15N
67	RDYN	RESET	HLDAKN
68	SYNCLN	HOLDN	NC

Figure 31b: Pin Assignments

11.0 RADIATION TOLERANCE

Total Dose Radiation Testing

For product procured to guaranteed total dose radiation levels, each wafer lot will be approved when all sample devices from each lot pass the total dose radiation test.

The sample devices will be subjected to the total dose radiation level (Cobalt-60 Source), defined by the ordering code, and must continue to meet the electrical parameters specified in the data sheet. Electrical tests, pre and post irradiation, will be read and recorded.

GEC Plessey Semiconductors can provide radiation testing compliant with MIL-STD-883 test method 1019 Ionizing Radiation (Total Dose).

Total Dose (Function to specification)*	3×10^5 Rad(Si)
Transient Upset (Stored data loss)	1×10^{11} Rad(Si)/sec
Transient Upset (Survivability)	$> 1 \times 10^{12}$ Rad(Si)/sec
Neutron Hardness (Function to specification)	$> 1 \times 10^{15}$ n/cm ²
Single Event Upset**	$< 1 \times 10^{-10}$ Errors/bit day
Latch Up	Not possible

* Other total dose radiation levels available on request

** Worst case galactic cosmic ray upset - interplanetary/high altitude orbit

Figure 32: Radiation Hardness Parameters

12.0 ORDERING INFORMATION

The processor can be ordered in the form of a module, consisting of three chips in leadless chip carriers, mounted on a ceramic tile. The module can be supplied with dual-in-line (C) or flatpack (F) lead configurations.

The three chips which form the processor can be packaged as separate devices. They are available in leadless chip carrier (L), flatpack (F), or ceramic dual-in-line packages (C).

Module - MAx281xxx

Chip Set - MAx17501xxx
MAx17502xxx
MAx17503xxx

