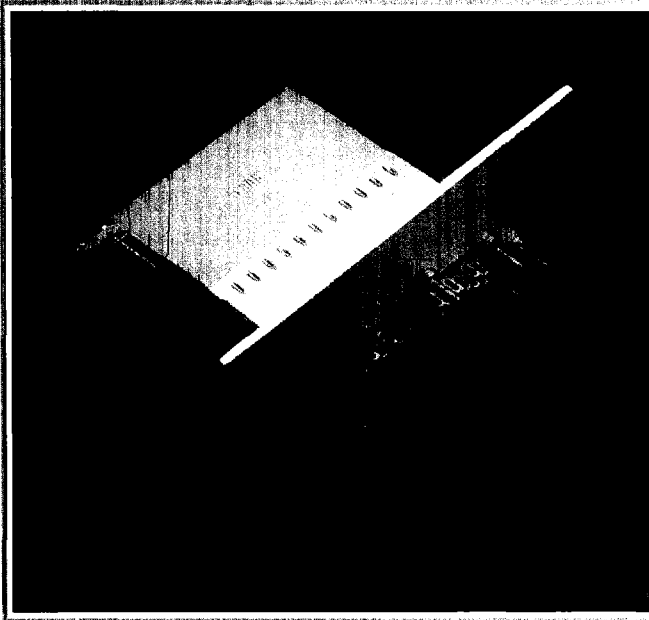


# PACK & PANEL CONNECTOR

with EMI / RFI Shielding



## FEATURES

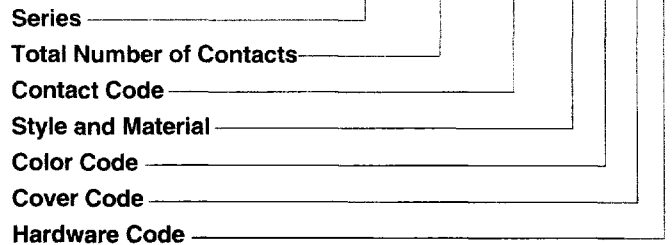
- UL Recognized
- .150 (3.81) Contact Spacing x .130 (3.30) or .150 (3.81) Row Spacing with Staggered Grid
- Plug and Receptacle in 20, 38, 56, 90 or 120 Contact Sizes
- Edacon Hermaphroditic Contact Mating Design
- Contact Termination Options include Crimp, P.C. Tail, Wire Hole, Wire Wrap and Tapet Tail
- Mating and Unmating Simplified with use of Actuating Screws
- Optional Covers with Cable Clamp Available Material for all Connector Sizes with Side or Top Cable Entry
- Versatile Cover Design permits Assembly or Dis-assembly After Cabling is Complete plus Cable Entry Style Flexibility
- Actuating Screws, Locknuts, Polarizing Hardware, Covers and Contacts Suitable for either Plug or Receptacle
- Polarizing Hardware Adjustable for 288 Mating Combinations
- Tools Available for Contact Installation, Removal and Crimping and Polarizing Changes
- EMI / RFI Shielding Hardware

## SPECIFICATIONS

- ◆ Insulator Material: Diallyl Phthalate or Thermoplastic Polyester, UL 94V-0, Colour: Green, or Polycarbonate, Colour: Grey
- ◆ Contact Material: Phosphor Bronze Alloy CA-510
- ◆ Contact Plating: Gold over Nickel for Entire Contact
- ◆ Cover Material: Die-Cast Zinc
- ◆ Current Rating: 8.5 Amperes
- ◆ Contact Resistance: 10 Milliohms Maximum
- ◆ Dielectric Withstanding Voltage: 2000 V AC rms at Sea Level
- ◆ Insulation Resistance: 5000 Megohms Minimum
- ◆ Operating Temperature: -65 to +125 Degrees C
- ◆ Insertion and Withdrawal Force: 2 to 16 oz (0.56 to 4.45 N) per Contact Position
- ◆ Shielded Covers available with unpainted finish only

## 516 SERIES ORDERING CODE

Example Part Number **516-038-500-B 2 1 2**



Note: If no color code is indicated, standard colors will be supplied

### Series 516

#### Total Number of Contacts

020, 038, 056, 090 or 120

Contact Code <sup>1,2</sup>	Description & Tail Size	Tail Length "G"
000	No Contacts Assembled	—
500	Wire Hole .110 x .024 (2.79 x 0.61)	.245 (6.22)
501	Taper Tail	.245 (6.22)
520	P.C. Tail .025 x .024 (0.64 x 0.61)	.215 (5.46)
540	Wire Wrap .050 x .024 (1.27 x 0.61)	.600 (15.24)
541	Wire Wrap .026 x .024 (0.66 x 0.61)	.620 (15.75)
542	Wire Wrap .050 x .024 (1.27 x 0.61)	.790 (20.07)

Style and Material <sup>3</sup>	Style	Insulator Material
1	Plug	Green Diallyl Phthalate
2	Receptacle	Green Diallyl Phthalate
3	Plug	Grey Polycarbonate
4	Receptacle	Grey Polycarbonate
5	Plug	Green Polyester
6	Receptacle	Green Polyester

Cover Code <sup>4,5,6,7</sup>	Description
7	Shielded Metal Cover, Side Entry
8	Shielded Metal Cover, Top Entry

Hardware Code <sup>8</sup>	Description
0	No Hardware Assembled
1	Actuating Screw and Polarizing Hardware
2	Locknut and Polarizing Hardware
5	Actuating Screw with No Polarizing Hardware
6	Locknut with No Polarizing Hardware

### Ordering Code Notes

- 1) Crimp contacts are also available for the 516 series connectors. Contacts may be ordered separately for pre-wired or select position assembly.

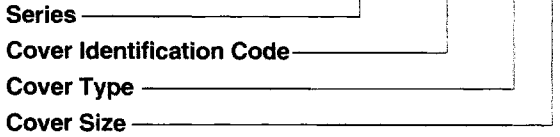
Part Number	Description	Silhouette
516-290-500	Wire Hole	
516-290-501	Taper Tail	
516-290-520	P.C. Tail	
516-290-540	Wire Wrap	
516-290-541	Wire Wrap	
516-290-542	Wire Wrap	
516-290-590	Crimp - Loose	
516-290-591	Crimp - 1800 Contacts per reel	

- 2) For contact installation, removal and crimping tools, refer to page 112.

Continued on next page

## 516 SERIES COVER ORDERING CODE

Example Part Number **516 - 230 - 7 56**



Series 516,519

Cover Identification Code 230

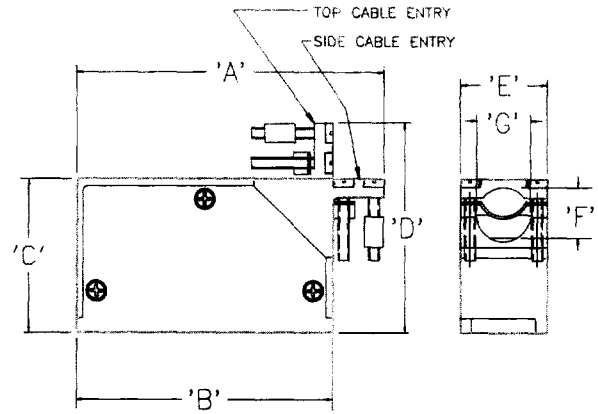
Cover Type	Description
7	Shielded Cover, Side Entry
8	Shielded Cover, Top Entry

Cover Size	Description
12	516 series 120 pin
20	516 series 20 pin & 519 series 14 pin
38	516 series 38 pin & 519 series 36 pin
56	516 series 56 pin
90	516 series 90 pin

### FEATURES

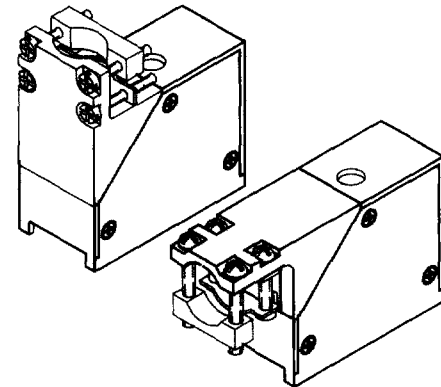
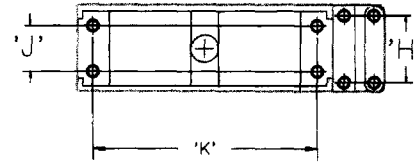
- Shielding available for metal cover only
- Covers with side entry clamps may be converted to top entry clamps by removing the cover side plate and reassembling with the clamp re-oriented

### SHIELDED COVERS



COVER WILL NOT BE PAINTED  
ELECTROPLATED NICKEL FINISH  
COVER MAY BE DISASSEMBLED  
TO CHANGE CLAMP ORIENTATION

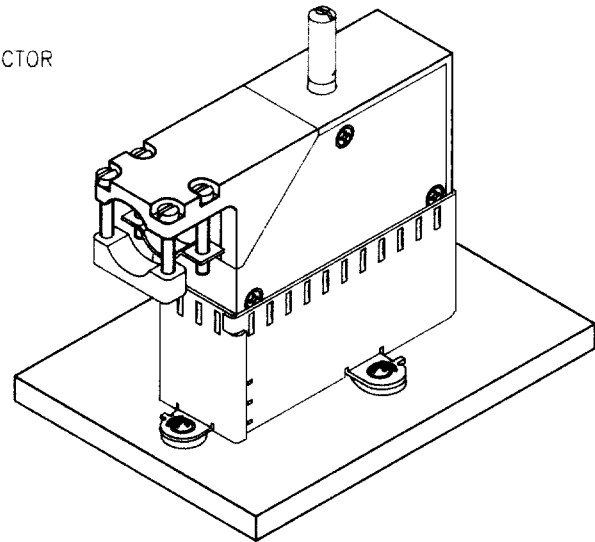
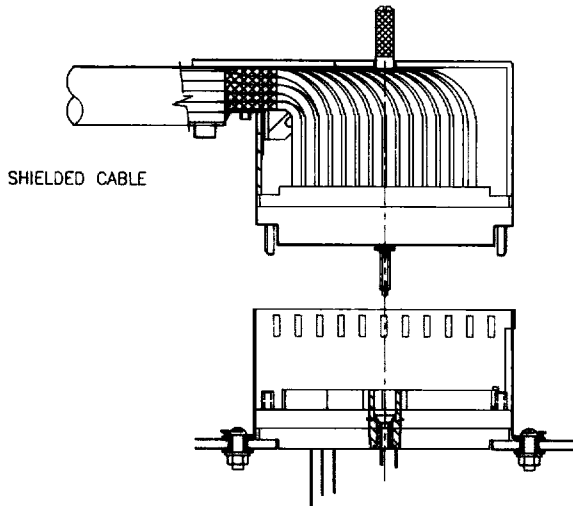
SCREWS FOR SECURING THE  
COVER TO THE CONNECTOR  
ARE SUPPLIED BY EDAC



CONTACTS	TYPE	W/OUT SHIELD	W/ SHIELD	W/ SHIELD	W/ SHIELD	W/ SHIELD	W/ SHIELD	W/ SHIELD	W/ SHIELD	W/ SHIELD	W/ SHIELD	W/ SHIELD
20 contact	516-230-720/820	1.839 (46.71)	1.325 (33.66)	.906 (23.01)	1.420 (36.07)	.686 (17.42)	.446 (11.33)	.490 (12.45)	.556 (13.97)	.446 (11.33)	1.126 (28.60)	
38 contact	516-230-738/838	2.506 (63.65)	2.006 (50.95)	1.566 (39.77)	1.866 (47.40)	.875 (22.23)	.720 (18.29)	.575 (14.61)	.700 (17.78)	.468 (11.89)	1.688 (42.87)	
56 contact	516-230-756/856	3.100 (78.74)	2.602 (66.10)	1.566 (39.77)	2.080 (52.83)	.875 (22.23)	.720 (18.29)	.575 (14.61)	.700 (17.78)	.468 (11.89)	2.280 (57.91)	
90 contact	516-230-790/890	3.418 (86.82)	2.718 (69.04)	1.775 (45.09)	2.175 (55.25)	1.234 (31.34)	.880 (22.35)	.900 (22.86)	1.000 (25.40)	.756 (19.43)	2.280 (57.91)	
120 contact	515-230-712/812	3.475 (88.26)	2.750 (69.85)	2.020 (51.31)	2.530 (64.26)	1.531 (38.89)	.890 (22.61)	.575 (14.61)	1.312 (33.32)	.875 (22.22)	2.375 (60.32)	

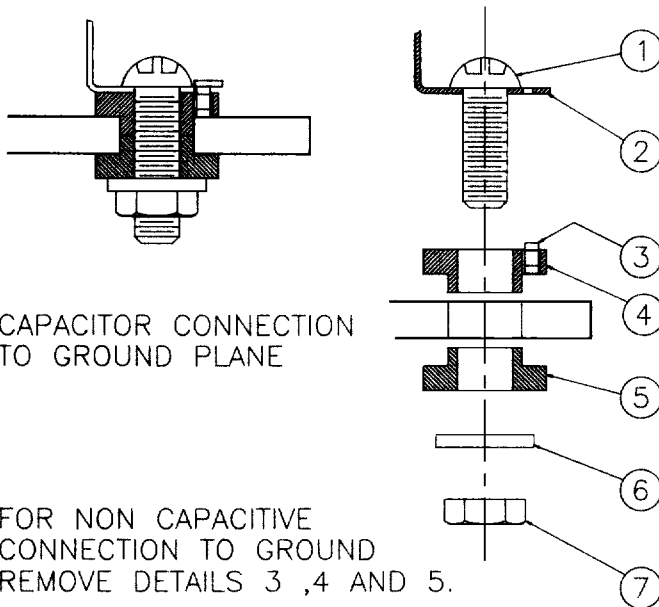
# CONNECTORS SERIES 516

STANDARD EDAC 516 SERIES PLUG OR RECEPTACLE CONNECTOR WITH BRAID GROUNDING CLAMP ASSEMBLY



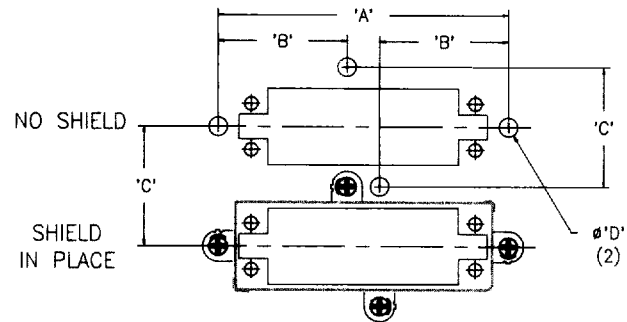
PANEL CUT-OUT AND SHIELD MOUNTING HOLES  
PANEL CUT AWAY TO CLEAR CONNECTOR

STANDARD EDAC 516 SERIES PLUG OR RECEPTACLE CONNECTOR WITH SHIELDING HARDWARE IN PLACE



CAPACITOR CONNECTION TO GROUND PLANE

FOR NON CAPACITIVE CONNECTION TO GROUND REMOVE DETAILS 3, 4 AND 5.



DETAIL No	DESCRIPTION
1	#4-40 P.H.C.S. X 3/4 LONG
2	PANEL SHIELD
3	SMD CAPACITOR
4	CAPACITOR RETAINER
5	INSULATING SPACER
6	#4- FLAT WASHER
7	#4-40 HEX NUT

	A		C		D			
	inch	(mm)	inch	(mm)	inch	(mm)		
20	1.679	(42.65)	.673	(17.09)	1.061	(26.95)	.190	(4.83)
38	2.360	(59.94)	1.014	(25.75)	1.220	(31.01)	.190	(4.83)
56	2.956	(75.08)	1.312	(33.52)	1.220	(31.01)	.190	(4.83)
90	3.072	(78.05)	1.370	(34.80)	1.580	(40.13)	.190	(4.83)
120	3.104	(78.84)	1.386	(35.20)	1.877	(47.68)	.190	(4.83)