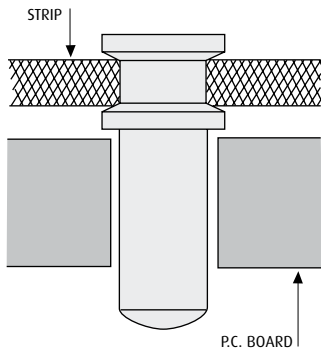


# PC Board Sockets

Socket Strips for Ø0.5mm pins

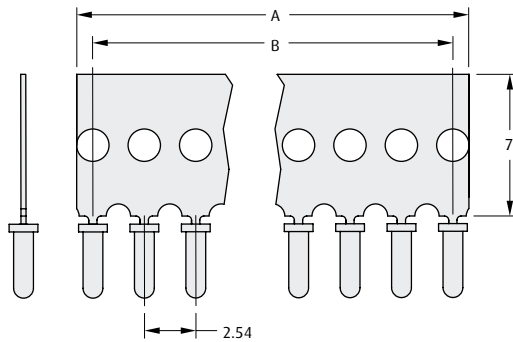
- ❖ Sub-miniature sockets using the four finger Beryllium Copper Contact, mounted on carrier strips for ease of production use.
- ❖ Choice of carrier styles available.
- ❖ See page 145 for information on the individual sockets.

## FLAT POLYESTER STRIP



- ❖ 100 Contacts on a polyester strip, packed in a tube, ideal for multiple loading.
- ❖ Strip can be easily cut into any length and left in place, or removed after soldering.

## SINGLE-IN-LINE SOCKET CARRIERS



- ❖ Brass carriers are supplied fitted with the sub-miniature socket shown in the tables below.
- ❖ Stocked in standard lengths.

### CALCULATION

<b>A</b>	$B + 1.8$
<b>B</b>	$2.54 \times (\text{No of sockets} - 1)$

## HOW TO ORDER

**D01 - XXX XX 01**

**SERIES CODE**

### CONNECTOR TYPE

<b>602</b>	100 contact polyester strip of H3155-01
<b>979</b>	Single-in-line Socket Carrier with H3192-01
<b>982</b>	Single-in-line Socket Carrier with H3191-01
<b>984</b>	Single-in-line Socket Carrier with H3155-01
<b>990</b>	Single-in-line Socket Carrier with H3153-01

**FINISH**

**01** Gold + Tin

### NO. OF CONTACTS PER STRIP

100 contacts (D01-602 only)	<b>00</b>
All except D01-602	<b>04 to 10, 12, 14, 16, 20, 32</b>

[www.harwin.com](http://www.harwin.com)

All dimensions in mm.



**HARWIN**

SOCKETS