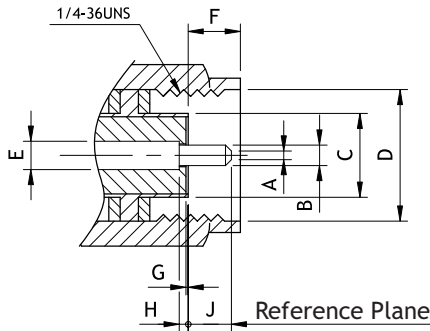


CR01 Series SMA Subminiature 50-ohm Connectors

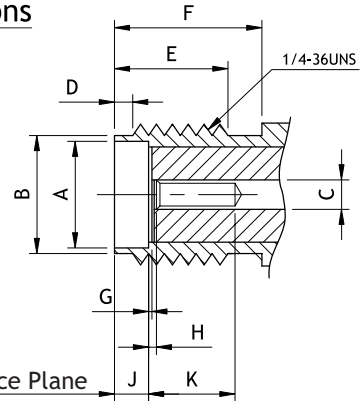
RoHS Compliant

Interface Mating Dimensions



PLUG

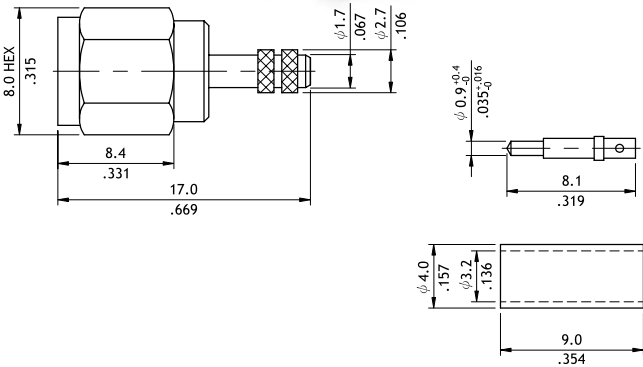
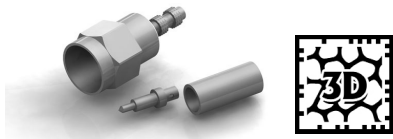
DIM.	Min.	Max.
A	0.00	0.38(.015)
B	0.90(.035)	0.94(.037)
C	4.53(.178)	4.59(.181)
D	6.35(.250)	6.73(.265)
E	1.24(.049)	1.30(.051)
F	2.54(.100)	3.43(.135)
G	0.00	0.25(.010)
H	0.00	0.25(.010)
J	1.91(.075)	2.54(.100)



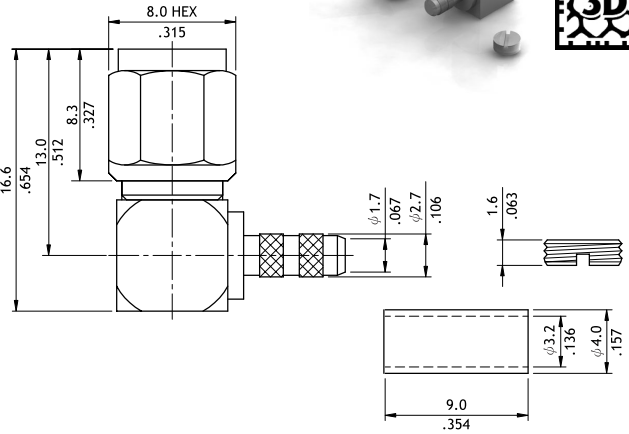
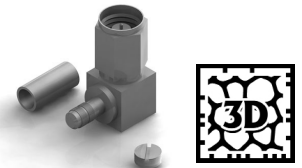
JACK

DIM.	Min.	Max.
A	4.60(.181)	4.67(.184)
B	5.28(.208)	5.49(.216)
C	1.24(.049)	1.30(.051)
D	0.38(.015)	1.14(.045)
E	4.32(.170)	-
F	5.54(.218)	-
G	0.00	0.25(.010)
H	0.00	0.25(.010)
J	1.88(.074)	1.98(.078)
K	2.92(.115)	-

P/N CR01P01225000



P/N CR01P02225000



Ordering Code

1 **2** **3** **4** **5** **6** **7**
CR01 P 01 2 2 5 000

1 Series No.

2 Type:

P = Plug (Male)

S = Jack (Female)

3 Contact Type:

01 = Straight, Cable Crimp

02 = Right Angle, Cable Crimp

03 = Straight, PCB Mount

04 = Right Angle, PCB Mount

07 = SMT, PCB Clip

08 = Straight, Cable Crimp, Bulkhead

4 Body Plating:

2 = Gold Flash plated over Nickel

5 Contact Plating:

2 = Gold Flash plated over Nickel

6 Impedance: 5 = 50Ω

7 Other Options: 000 = Standard