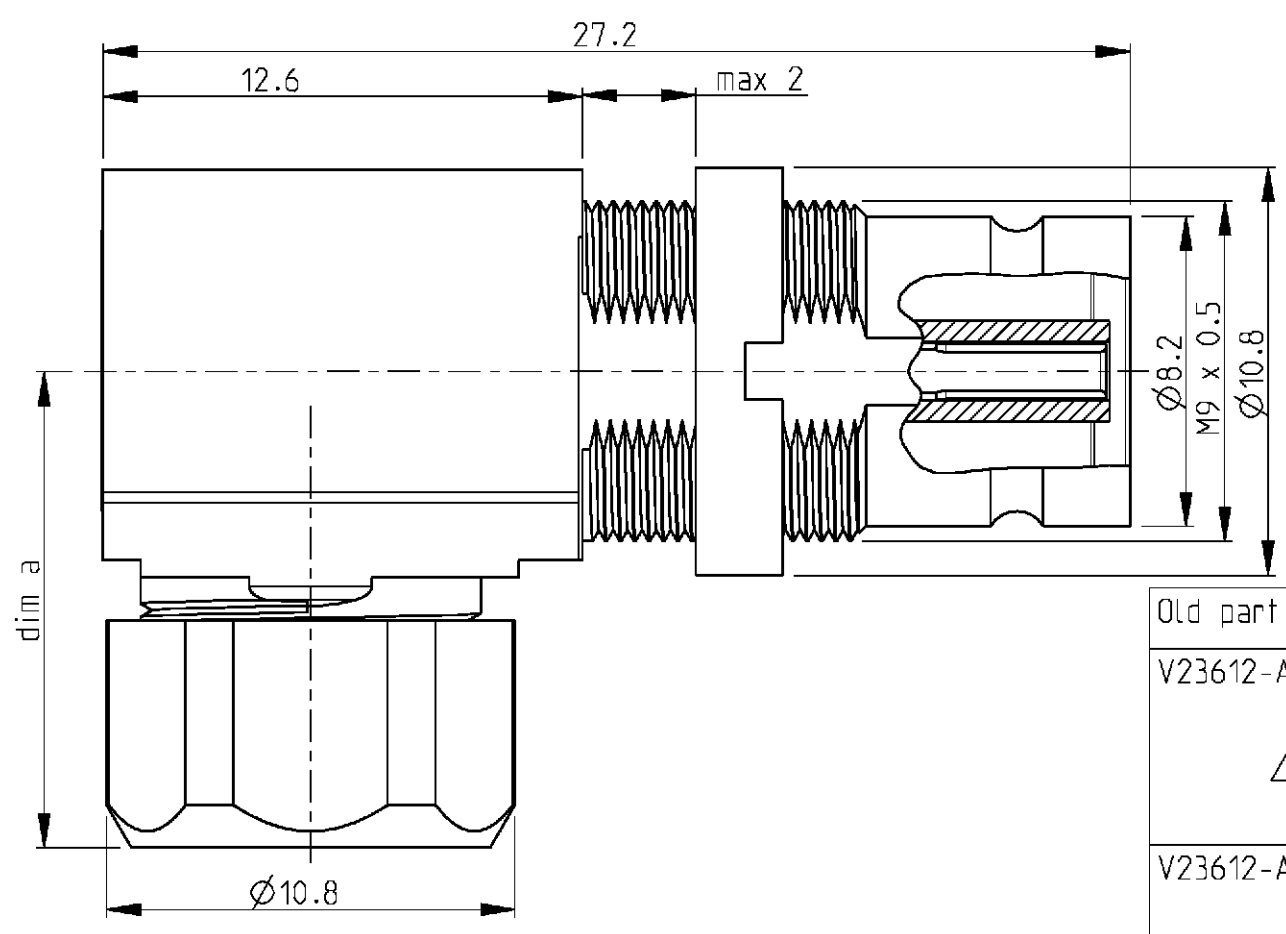


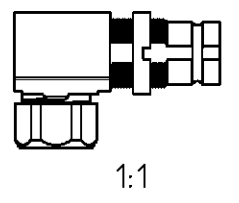
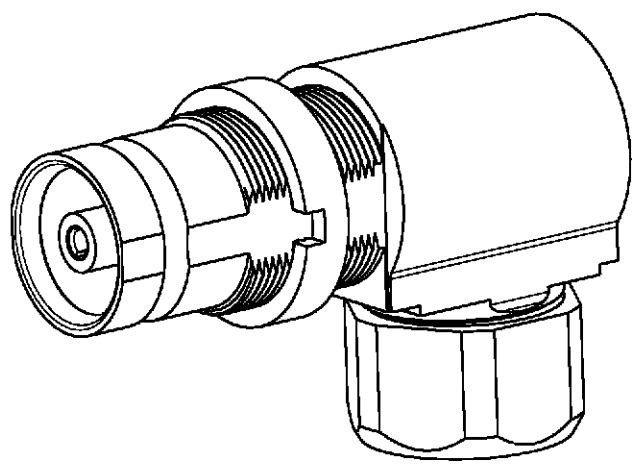
THIS DRAWING IS UNPUBLISHED. RELEASED FOR PUBLICATION 2000
 © COPYRIGHT 2000 BY TYCO ELECTRONICS CORPORATION. ALL RIGHTS RESERVED.

| LOC | DIST | REVISIONS | | | |
|-----|------|-------------|------|-----------|----------|
| P | LTR | DESCRIPTION | DATE | DWN | APVD |
| GW | - | A | - | 05APR2001 | BL KM |



- △ Packed in tray
- 3. Mating face according to DIN 47295/CECC 22240.
- 2. All parts supplied as loose part.
- 1. All dimensions are maximum unless otherwise specified.

| Old part number | Tyco part number | Description | Material | Plating | dim a | Appl spec | Cable type |
|-----------------------|------------------|------------------|----------|-----------------------------|-------|-----------|--|
| V23612-A803-G76A △ | 5-1393682-0 △ | Outer conductor | Brass | 1 µm Au min in contact area | 13 | 114-71022 | 02Y(ST)CY 0.45/2.0 |
| | | Center conductor | CuBe | 1 µm Au min in contact area | | | |
| | | Dielectric | PEEK/PC | - | | | |
| V23612-A803-G76 | 4-1393682-9 | Outer conductor | Brass | 1 µm Au min in contact area | 13 | 114-71022 | 02Y(ST)CY 0.45/2.0 |
| | | Center conductor | CuBe | 1 µm Au min in contact area | | | |
| | | Dielectric | PEEK/PC | - | | | |
| V23612-A803-G66 | 4-1393682-8 | Outer conductor | Brass | 1 µm Au min in contact area | 15.8 | 114-71023 | 2YCY 0.7/4.4 2YC (mS) CY 0.5/3.0 ST 120 RG 59 B/U |
| | | Center conductor | CuBe | 1 µm Au min in contact area | | | |
| | | Dielectric | PEEK/PC | - | | | |
| V23612-A803-G45A △ | 4-1393682-7 △ | Outer conductor | Brass | 1 µm Au min in contact area | 13 | 114-71022 | 2 YCCY 0.4/2.5 2YC (MS) CY 0.4/2.5 |
| | | Center conductor | CuBe | 1 µm Au min in contact area | | | |
| | | Dielectric | PEEK/PC | - | | | |
| V23612-A803-G45 | 4-1393682-6 | Outer conductor | Brass | 1 µm Au min in contact area | 13 | 114-71022 | 2 YCCY 0.4/2.5 2YC (mS) CY 0.4/2.5 |
| | | Center conductor | CuBe | 1 µm Au min in contact area | | | |
| | | Dielectric | PEEK/PC | - | | | |



THIS DRAWING IS A CONTROLLED DOCUMENT FOR TYCO ELECTRONICS CORPORATION. IT IS SUBJECT TO CHANGE AND THE CONTROLLING ENGINEERING ORGANIZATION SHOULD BE CONTACTED FOR THE LATEST REVISION.

| | | | |
|----------------|--|-----------------------------|--|
| DIMENSIONS: mm | TOLERANCES UNLESS OTHERWISE SPECIFIED: | DWN B. Lenvain 26MAR2001 | Tyco Electronics Oostkamp - Belgium |
| | 0 PLC ± | CHK K. Mattheeuws 05APR2001 | |
| | 1 PLC ± | APVD R. Leeman 05APR2001 | |
| | 2 PLC ± | PRODUCT SPEC - | |
| MATERIAL - | FINISH - | APPLICATION SPEC See table | NAME Bulkhead jack 1.6/5.6 |
| | | WEIGHT - | SIZE A3 CAGE CODE 00779 DRAWING NO C-4-1393682-6 RESTRICTED TO - |
| | | CUSTOMER DRAWING | SCALE 5/1 SHEET 1 OF 1 REV A |