

1 2 3 4 5 6 7 8 9 0

J

I

H

G

F

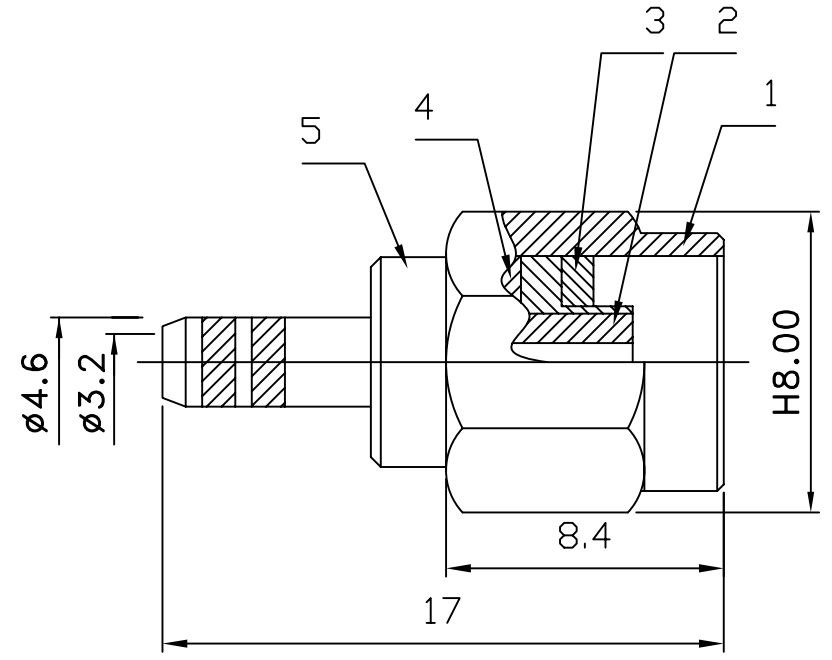
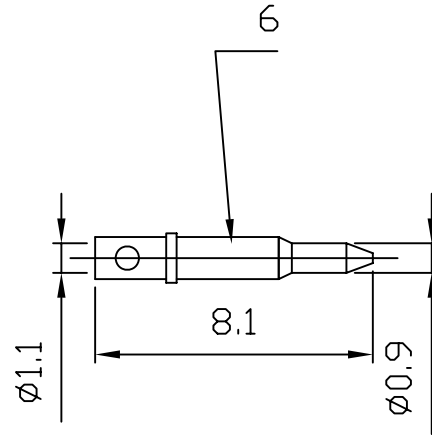
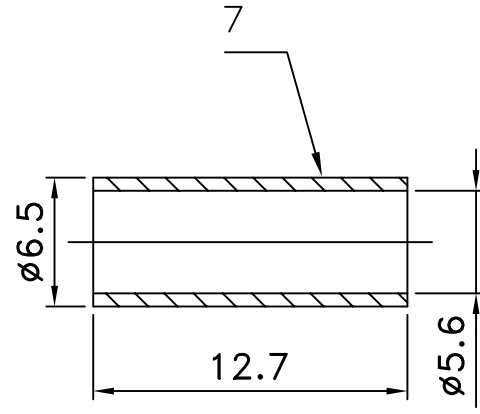
E

D

C

B

A



SMA-PC-58-LF
LEADFREE
RoHS Compliant

NO	DESCRIPTION	MATERIAL	FINISH	QTY
7	FERRULE	BRASS	GOLD	1
6	MALE CONTACT	BRASS	GOLD	1
5	INNER BODY	BRASS	GOLD	1
4	WASHER	BRASS	GOLD	1
3	GASKET	SILLCONE		1
2	INSULATOR	TEFLON		1
1	COCTACT BODY	BRASS	GOLD	1

MORETHANALL
CONNECTORS
ASSEMBLIES

PART NO. SMA-PC-58

DWG NO. SMA-PC-58

CHECKED BY CY

FILE NO.

DRAWING BY

TOLERANCES ARE
.X ± 0.2
.XX ±
.XXX ±
AWG

DESCRIPTION: SMA MALE CRIMP TYPE

焜倫股份有限公司

UNIT / mm

SCALE 1:1

PROJECTION

AREA

REVISIONS

HK

DATE