

- On-Chip 150-V Bridge Diode Configuration
- Reliable BIFET† Technology
- High Standby Impedance . . . 1 MΩ Typ
- Efficient High-Voltage Operation
- Output Compatible With TTL, NMOS, and CMOS
- Built-In 5-V Series Regulator
- Built-In Lightning and Transient Protection

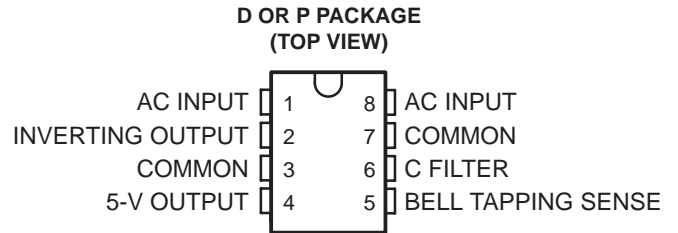
## description

The TCM1520A is a monolithic ring-detection integrated circuit designed for use in isolated or nonisolated telephone applications. The device uses a modified form of the Texas Instruments BIFET† technology to combine low-voltage CMOS and high-voltage bipolar input/output circuitry. It features efficient high-voltage (40 V to 150 V) operation with a typical current drain of 1 mA.

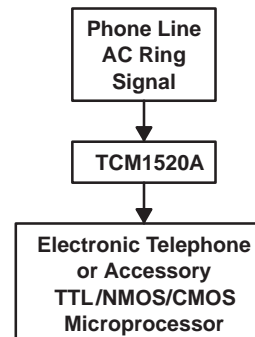
During standby, the input impedance is approximately 1 MΩ or greater, which prevents any interference with parallel off-hook telephones transmitting DTMF or voice frequencies. The device achieves this high input impedance with an on-chip series zener diode that does not conduct until the voltage across AC INPUT (pins 1 and 8) exceeds 8 V. When the voltage across pins 1 and 8 exceeds 18 V, the internal switch is closed, which bypasses the 6.8-V zener diode series resistor. This allows more efficient power transfer to the load when the device is in the operating mode. In the operating mode, the impedance of the device varies from 30 kΩ to 7 kΩ over the ring signal of 40 V at 16 Hz to 150 V at 68 Hz and is reasonably independent of the output load.

In typical telephone applications, the TCM1520A is activated through the telephone line by a ring voltage of 40 V at 16 Hz to 150 V at 68 Hz. The TCM1520A generates a signal suitable to drive an optocoupler or TTL, NMOS, or CMOS logic. The 5-V OUTPUT can be used as a supply source for optocouplers or low-power logic. This output is noninverting and is at a high level during ringing.

The TCM1520A incorporates lightning and transient protection that is designed to withstand lightning strikes of 1.5-kV amplitude and 200-μs duration and also features built-in circuitry to avoid tapping or false triggering due to transients.



## TCM1520A APPLICATION



## AVAILABLE OPTIONS

TA	PACKAGE	
	SMALL OUTLINE (D)‡	PLASTIC DIP (P)
-40°C to 85°C	TCM1520AD	TCM1520AP

‡ The D package is available taped and reeled with suffix R added to the device type (i.e., TCM1520ADR).



Caution. These devices have limited built-in ESD protection. The leads should be shorted together or the device placed in conductive foam during storage or handling to prevent electrostatic damage to the MOS gates.

† BIFET – Bipolar, double-diffused, N-channel and P-channel MOS transistors on same chip. This is a patented process.

PRODUCTION DATA information is current as of publication date. Products conform to specifications per the terms of Texas Instruments standard warranty. Production processing does not necessarily include testing of all parameters.

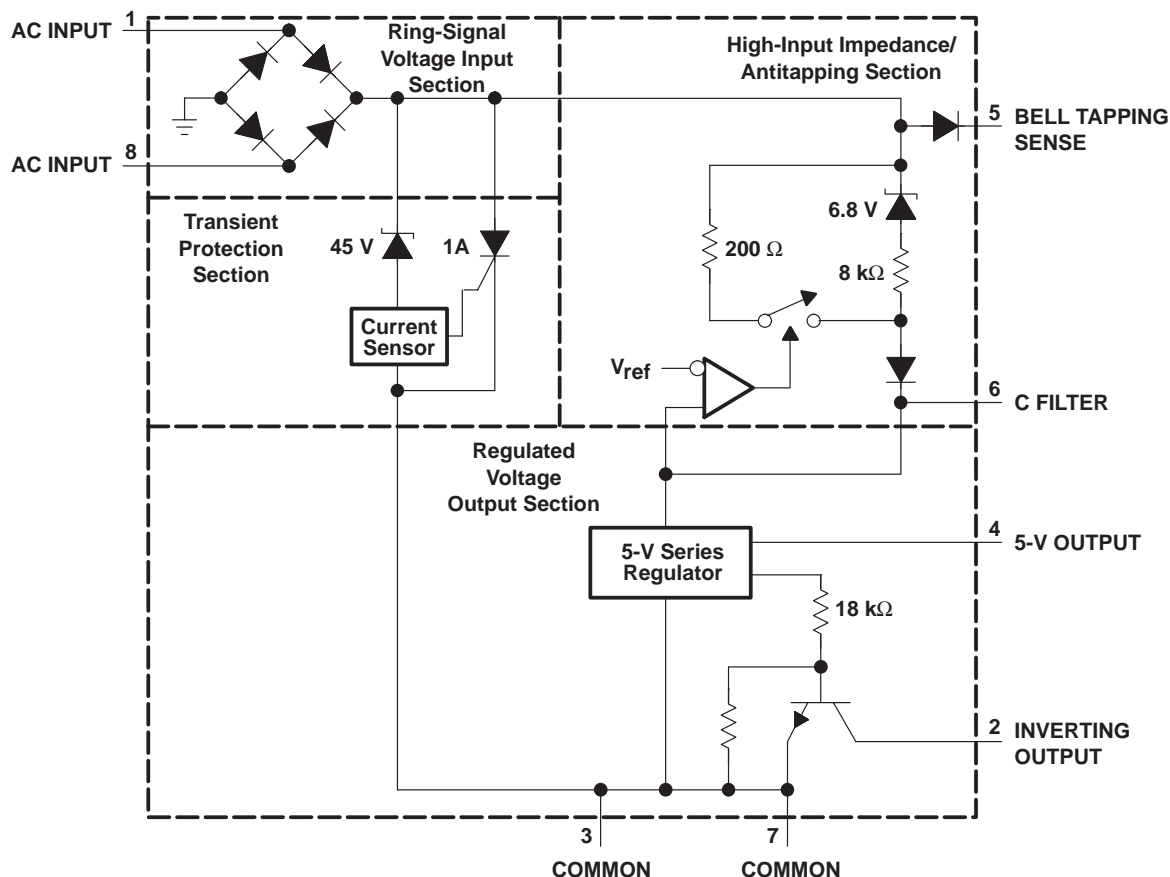
 **TEXAS  
INSTRUMENTS**

Copyright © 1990, Texas Instruments Incorporated

# TCM1520A DUAL DIFFERENTIAL COMPARATORS

SCTS005B – OCTOBER 1984 – REVISED DECEMBER 1990

## functional block diagram



## absolute maximum ratings over operating free-air temperature range (unless otherwise noted)†

Continuous supply voltage at C FILTER (see Note 1)	40 V
Continuous differential input voltage, $V_{ID}$ (AC INPUT)	40 V
Continuous output current at 5-V OUTPUT, $I_O$	12 mA
Continuous SCR on-state input current	200 mA
SCR on-state input current, $I_{I(on)}$ (duration $\leq 200 \mu s$ )	900 mA
Continuous total dissipation	See Dissipation Rating Table
Operating free-air temperature range, $T_A$	$-40^\circ C$ to $105^\circ C$
Storage temperature range	$-40^\circ C$ to $125^\circ C$
Lead temperature 1,6 mm (1/16 inch) from case for 10 seconds	$260^\circ C$

† Stresses beyond those listed under "absolute maximum ratings" may cause permanent damage to the device. These are stress ratings only, and functional operation of the device at these or any other conditions beyond those indicated under "recommended operating conditions" is not implied. Exposure to absolute-maximum-rated conditions for extended periods may affect device reliability.

NOTE 1: All voltage values, unless otherwise noted, are with respect to COMMON (pin 7).

DISSIPATION RATING TABLE

PACKAGE	$T_A = 25^\circ C$ POWER RATING	OPERATING FACTOR ABOVE $T_A = 25^\circ C$	$T_A = 85^\circ C$ POWER RATING
D	950 mW	7.6 mW/ $^\circ C$	494 mW
P	1000 mW	8.0 mW/ $^\circ C$	520 mW

**recommended operating conditions**

	MIN	MAX	UNIT
Input voltage, $V_{rms}$ (f = 15.3 Hz to 68 Hz) (see Note 2)	40	150	V
Operating free-air temperature, $T_A$	-40	85	°C

NOTE 2: Input voltage is applied to AC INPUT (pins 1 and 8) through a series 2.2-k $\Omega$   $\pm$ 10% resistor and a 0.47- $\mu$ F  $\pm$ 10% capacitor. (see Figures 1, 4, and 5.)

**electrical characteristics over recommended operating free-air temperature range,  $R_L = \text{open}$ ,  $C_{(ftr)} = 10 \mu\text{F}$  (unless otherwise noted)**

**detector section**

PARAMETER		TEST CONDITIONS <sup>†</sup>	MIN	TYP <sup>‡</sup>	MAX	UNIT
$V_{(BR) CEX}$	Collector-emitter output breakdown voltage, INVERTING OUTPUT	$V_{ID} \leq 5 V_{rms}$ , $I_O = 5 \mu\text{A}$	45			V
$V_{OL}$	Low-level output voltage, INVERTING OUTPUT	$V_{ID} = 25 V_{rms}$ , $I_O = 1.6 \text{ mA}$			1	V
$V_{IT+}$	Positive-going input threshold voltage			18	25	V
$V_{IT-}$	Negative-going input threshold voltage		6	7		V
$V_{hys}$	Hysteresis ( $V_{IT+} - V_{IT-}$ )			11		V
	Shunt voltage, C FILTER	$I_{ID} = 10 \text{ mA}$	38		50	V
$V_{I(on)}$	On-state input current, SCR	See Note 3	50		100	V
$V_O$	Output voltage, 5-V OUTPUT	$V_{ID} = 40 \text{ V}$ , $R_L = 10 \text{ k}\Omega$	4.25		5.75	V
$Z_{I(off)}$	Standby input impedance	$V_{I rms} = 3 \text{ V}$ , $f \leq 20 \text{ kHz}$		1		M $\Omega$
	Impedance when ringing	$V_{I rms} = 40 \text{ V}$ , $f = 16 \text{ Hz}$		30		k $\Omega$
		$V_{I rms} = 130 \text{ V}$ , $f = 20 \text{ Hz}$		20		
$I_{I(on)}$	On-state input current, SCR (see Note 4)	See Note 3	55		110	mA
$I_{I(hold)}$	Input holding current, SCR	See Note 3	100			$\mu\text{A}$
	Operating current	$V_{ID} = 40 \text{ V}$ , Output open		1	1.6	mA

<sup>†</sup> All characteristics are measured with a 2.2-k $\Omega$  resistor and a 0.47- $\mu$ F capacitor connected at AC INPUT (pin 1) in series with the input signal, unless otherwise noted.

<sup>‡</sup> All typical values are at  $T_A = 25^\circ\text{C}$ .

NOTES: 3. These parameters are measured using pulse techniques ( $t_w \leq 200 \mu\text{s}$ , duty cycle  $\leq 5\%$ ) with C FILTER grounded.

4. This is the input current required to turn on the SCR.

**switching characteristics at 25°C operating free-air temperature, f = 20 Hz (unless otherwise noted)**

PARAMETER		TEST CONDITIONS	MIN	TYP	MAX	UNIT
$t_{on}$	Turn-on time	$V_{I rms} = 40 \text{ V}$		100		ms
$t_{(off)}$	Turn-off time	$V_{I rms} = 40 \text{ V}$		175		ms
		$V_{I rms} = 60 \text{ V to } 150 \text{ V}$		300		

# TCM1520A RING DETECTOR

SCTS005B – OCTOBER 1984 – REVISED DECEMBER 1990

## PARAMETER MEASUREMENT INFORMATION

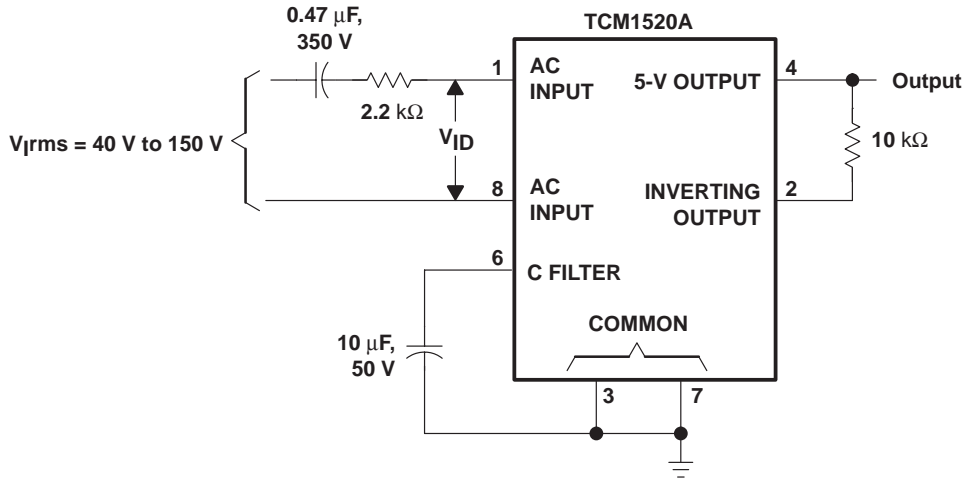


Figure 1. Switching Test Circuit

## TYPICAL CHARACTERISTICS

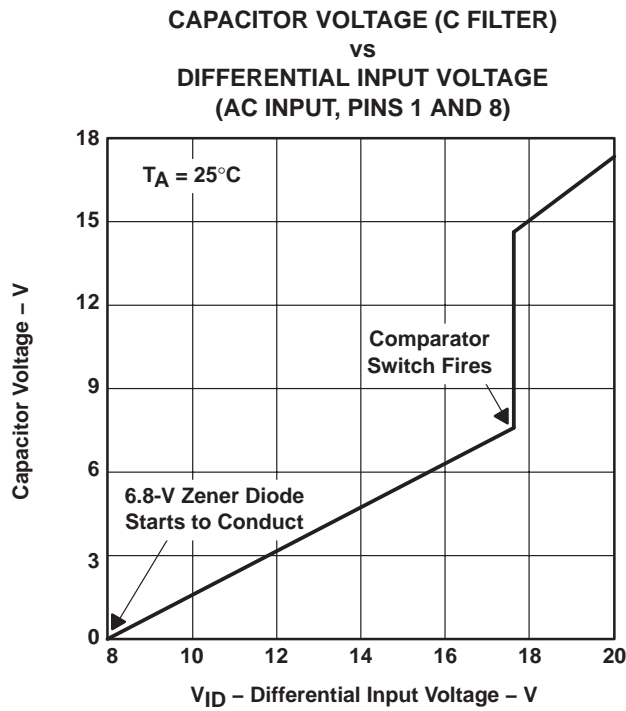


Figure 2

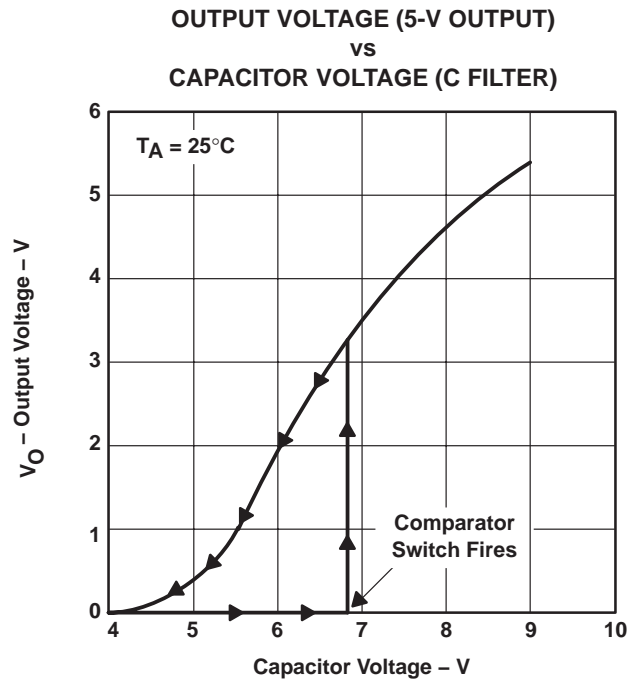


Figure 3

## APPLICATION INFORMATION

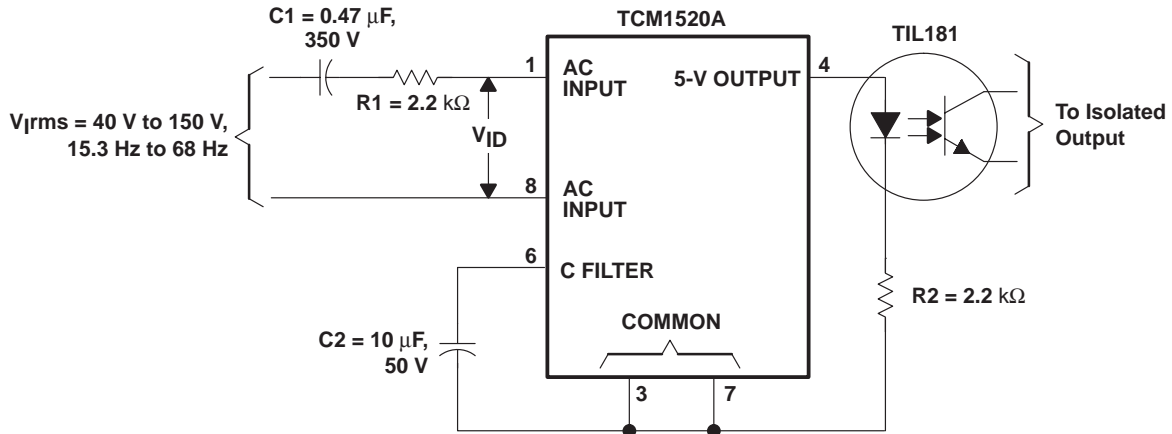


Figure 4. Isolated Configuration

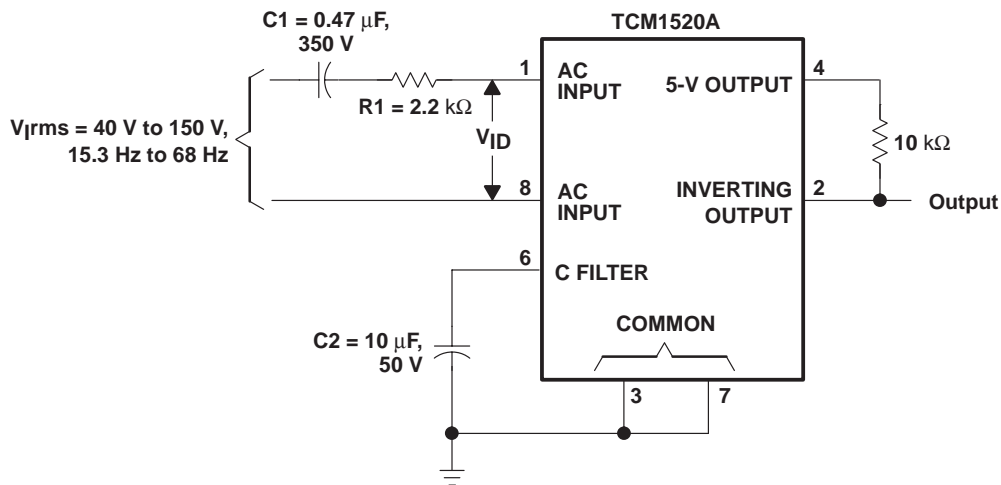


Figure 5. Nonisolated Configuration

NOTE: See Table 1 for component functions.

TABLE 1. COMPONENT FUNCTIONS

COMPONENT	FUNCTION
R1	Limits current into SCR during high-voltage transients and aids in dial-pulse rejection.
R2	Limits current into light-emitting diode.
C1	Blocks dc-battery voltage in standby and aids in filtering dial pulses. Smaller values of C1 improve tapping immunity.
C2	Stores energy from the ring signal to power the 5-V regulator.
Optocoupler	Provides ground and transient isolation between the host system and the telephone line.



## IMPORTANT NOTICE

Texas Instruments Incorporated and its subsidiaries (TI) reserve the right to make corrections, modifications, enhancements, improvements, and other changes to its products and services at any time and to discontinue any product or service without notice. Customers should obtain the latest relevant information before placing orders and should verify that such information is current and complete. All products are sold subject to TI's terms and conditions of sale supplied at the time of order acknowledgment.

TI warrants performance of its hardware products to the specifications applicable at the time of sale in accordance with TI's standard warranty. Testing and other quality control techniques are used to the extent TI deems necessary to support this warranty. Except where mandated by government requirements, testing of all parameters of each product is not necessarily performed.

TI assumes no liability for applications assistance or customer product design. Customers are responsible for their products and applications using TI components. To minimize the risks associated with customer products and applications, customers should provide adequate design and operating safeguards.

TI does not warrant or represent that any license, either express or implied, is granted under any TI patent right, copyright, mask work right, or other TI intellectual property right relating to any combination, machine, or process in which TI products or services are used. Information published by TI regarding third-party products or services does not constitute a license from TI to use such products or services or a warranty or endorsement thereof. Use of such information may require a license from a third party under the patents or other intellectual property of the third party, or a license from TI under the patents or other intellectual property of TI.

Reproduction of TI information in TI data books or data sheets is permissible only if reproduction is without alteration and is accompanied by all associated warranties, conditions, limitations, and notices. Reproduction of this information with alteration is an unfair and deceptive business practice. TI is not responsible or liable for such altered documentation. Information of third parties may be subject to additional restrictions.

Resale of TI products or services with statements different from or beyond the parameters stated by TI for that product or service voids all express and any implied warranties for the associated TI product or service and is an unfair and deceptive business practice. TI is not responsible or liable for any such statements.

TI products are not authorized for use in safety-critical applications (such as life support) where a failure of the TI product would reasonably be expected to cause severe personal injury or death, unless officers of the parties have executed an agreement specifically governing such use. Buyers represent that they have all necessary expertise in the safety and regulatory ramifications of their applications, and acknowledge and agree that they are solely responsible for all legal, regulatory and safety-related requirements concerning their products and any use of TI products in such safety-critical applications, notwithstanding any applications-related information or support that may be provided by TI. Further, Buyers must fully indemnify TI and its representatives against any damages arising out of the use of TI products in such safety-critical applications.

TI products are neither designed nor intended for use in military/aerospace applications or environments unless the TI products are specifically designated by TI as military-grade or "enhanced plastic." Only products designated by TI as military-grade meet military specifications. Buyers acknowledge and agree that any such use of TI products which TI has not designated as military-grade is solely at the Buyer's risk, and that they are solely responsible for compliance with all legal and regulatory requirements in connection with such use.

TI products are neither designed nor intended for use in automotive applications or environments unless the specific TI products are designated by TI as compliant with ISO/TS 16949 requirements. Buyers acknowledge and agree that, if they use any non-designated products in automotive applications, TI will not be responsible for any failure to meet such requirements.

Following are URLs where you can obtain information on other Texas Instruments products and application solutions:

### Products

Amplifiers	<a href="http://amplifier.ti.com">amplifier.ti.com</a>
Data Converters	<a href="http://dataconverter.ti.com">dataconverter.ti.com</a>
DSP	<a href="http://dsp.ti.com">dsp.ti.com</a>
Clocks and Timers	<a href="http://www.ti.com/clocks">www.ti.com/clocks</a>
Interface	<a href="http://interface.ti.com">interface.ti.com</a>
Logic	<a href="http://logic.ti.com">logic.ti.com</a>
Power Mgmt	<a href="http://power.ti.com">power.ti.com</a>
Microcontrollers	<a href="http://microcontroller.ti.com">microcontroller.ti.com</a>
RFID	<a href="http://www.ti-rfid.com">www.ti-rfid.com</a>
RF/IF and ZigBee® Solutions	<a href="http://www.ti.com/lprf">www.ti.com/lprf</a>

### Applications

Audio	<a href="http://www.ti.com/audio">www.ti.com/audio</a>
Automotive	<a href="http://www.ti.com/automotive">www.ti.com/automotive</a>
Broadband	<a href="http://www.ti.com/broadband">www.ti.com/broadband</a>
Digital Control	<a href="http://www.ti.com/digitalcontrol">www.ti.com/digitalcontrol</a>
Medical	<a href="http://www.ti.com/medical">www.ti.com/medical</a>
Military	<a href="http://www.ti.com/military">www.ti.com/military</a>
Optical Networking	<a href="http://www.ti.com/opticalnetwork">www.ti.com/opticalnetwork</a>
Security	<a href="http://www.ti.com/security">www.ti.com/security</a>
Telephony	<a href="http://www.ti.com/telephony">www.ti.com/telephony</a>
Video & Imaging	<a href="http://www.ti.com/video">www.ti.com/video</a>
Wireless	<a href="http://www.ti.com/wireless">www.ti.com/wireless</a>

Mailing Address: Texas Instruments, Post Office Box 655303, Dallas, Texas 75265  
Copyright © 2008, Texas Instruments Incorporated