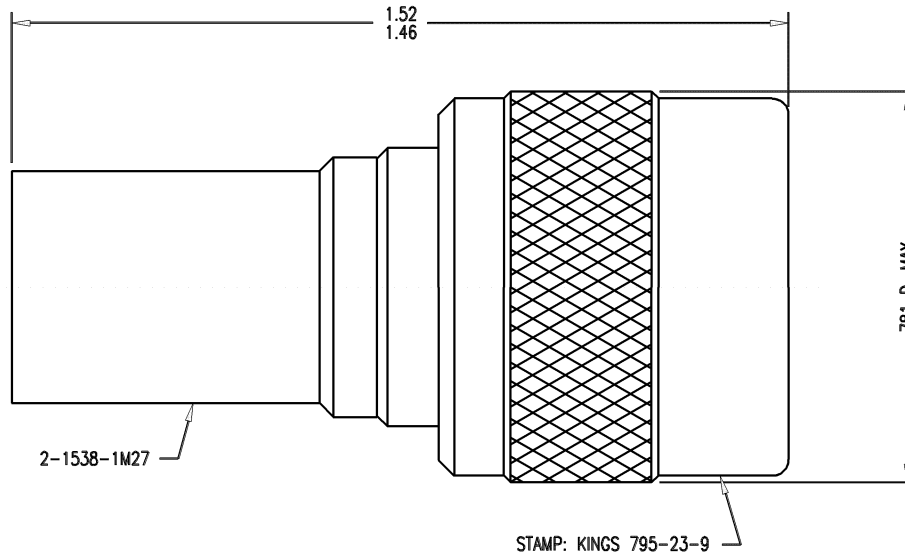


GSD

795-23-9



NOTES:

1. FOR USE WITH BOEING S280W503-5 & ADAMS RUSSELL FC38Z CABLES.
2. FOR CABLING INSTRUCTIONS SEE 3-546-2.
3. FOR CRIMPING USE DIE KTH-2213.
4. INTERFACE PER MIL-STD-348, FIG. 302-1.
5. CENTER CONTACT (1-856-15MA9) SUPPLIED UNASSEMBLED.
6. MARK PACKAGE: KINGS 795-23-9
XX XX (DATE CODE)
7. MATERIALS:
 - INSULATOR: TEFLON, ASTM-D-4894
 - GASKET: SIL. RUB., ZZ-R-765
 - K-GRIP SLEEVE: COM. BRONZE TUBE, ASTM-B135
 - OUTER CONTACT } BER. COP., ASTM-B-196
 - SPRING WASHERS }
 - ALL OTHER PARTS: BRASS, ASTM-B16
8. FINISHES:
 - CENTER CONTACT: GOLD PLATE PER MIL-G-45204
 - OUTER CONTACT & SPRING WASHER: SILVER PLATE PER QQ-S-365
 - ALL OTHER METAL PARTS: KINGS TARNISH RESISTANT NICKEL FINISH (TR-5)
9. ELECTRICAL CHARACTERISTICS:
 - NOMINAL IMPEDANCE: 50?
 - VOLTAGE RATING: 1000 VOLTS RMS
 - FREQUENCY RANGE: DC TO 11 GHz

REVISIONS

ISSUE	CHANGES
0	ER 36273 ME 05/03/95

QGS0399

SCALE	4:1		
APPROX SURFACE AREA			
WAS:	E-18834		
USED ON			
REF:	B.G. ELECTRIC		
PLUG, C, M			
DRAWN	ME	DATE	05/03/95
DESIGN	CT	DATE	05/05/95
APPR.		DATE	

KINGS
ELECTRONICS CO., INC.
TUCKAHOE, NEW YORK 10707

795-23-9

GSD