

Micro Miniature SMA Switch



RLC Electronics' Micro Miniature SMA Switch is a single pole two position type. The switch incorporates SMA connectors to allow high density packaging and excellent electrical performance through 26.5 GHz. The

switch is available in failsafe and latching configurations with a choice of three different frequency ranges and three different coil voltages.

SR-2min-min-R⁻¹⁻²⁻³

Switch Type	Single Pole Two Position			
Frequency (GHz)	DC-8	8-12.4	12.4-18	18-26.5
Insertion Loss (dB Max.)	0.3	0.5	0.7	0.8
VSWR (Max.)	1.35	1.6	1.7	1.8
Isolation (dB Min.)	70	60	60	50

Power Rating, RF Cold Switching: See catalog page 5

Impedance: 50 ohms

Operating Power 25 deg C (mA nominal):

5vdc at 310mA

12vdc at 130mA

28vdc at 75mA

Connectors: SMA female

Power Connections: 0.018 dia. pins

Life: 1,000,000 operations

Switching Time: 15 milliseconds max.

Weight: 1.3 oz.

Environmental Conditions: MIL-DTL-3928

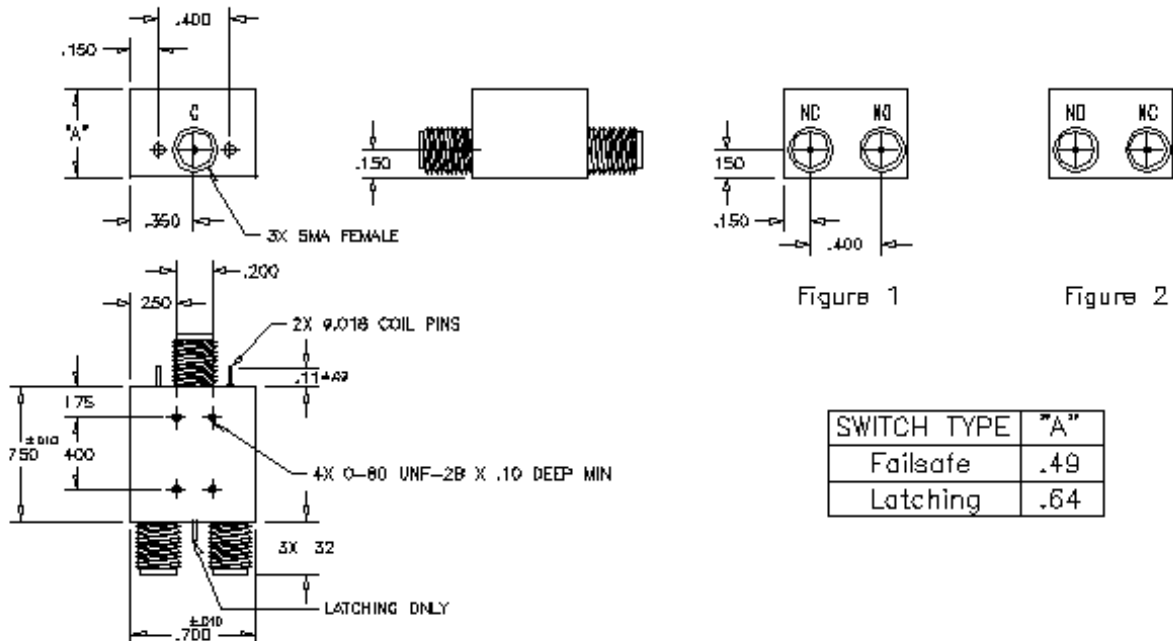
Operating Mode: Failsafe or Latching

Switching Sequence: Break before make

To designate the Switch desired use:

1. "E" for 5 volt coil "H" for 12-15 volt coil "D" for 24-28 volt coil
2. "8" for DC-8GHz "18" for DC-18 GHz "26" for DC-26.5
3. "A" for failsafe Figure 1 "B" for Failsafe Figure 2 "L" for Latching

Example: SR-2min-min-R-D-26-L is SPDT, 24-28vdc, DC-26.5 GHz, Latching switch



Specifications subject to change without notification.

Tolerances unless otherwise specified are .xx +/- .02, xxx +/- .005

Specials requiring closer tolerances, different frequency ranges, special connectors, different materials, finishes, etc. can be furnished upon request.



RLC ELECTRONICS, INC.

83 Radio Circle, Mount Kisco, New York 10549 Telephone 914-241-1334 Fax 914-241-1753
e-mail: sales@rlcelectronics.com www.rlcelectronics.com