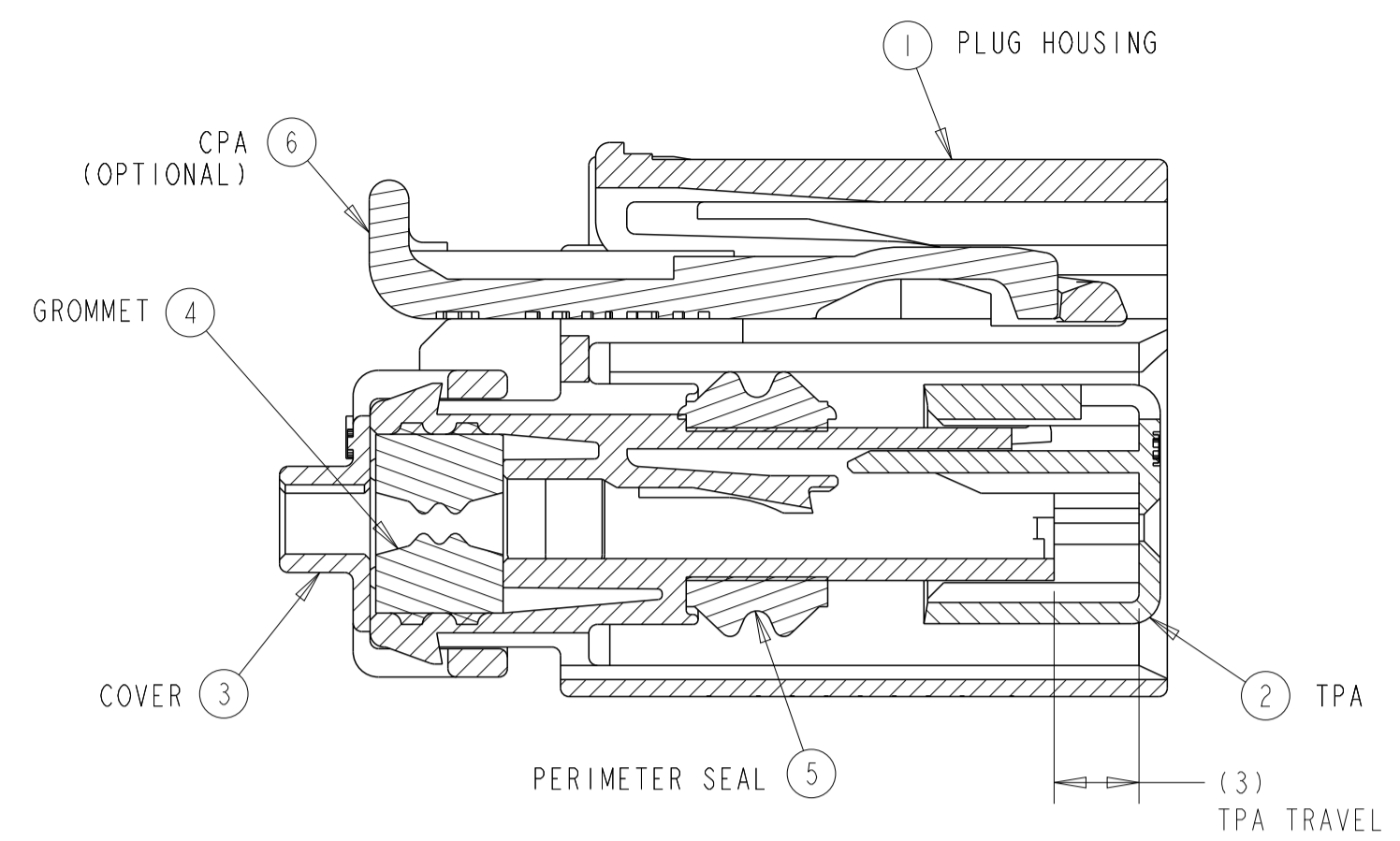
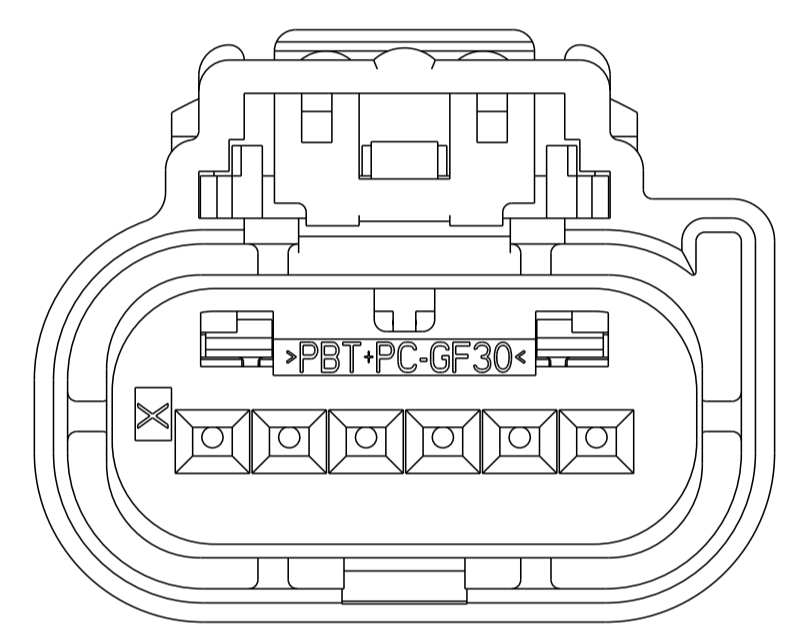
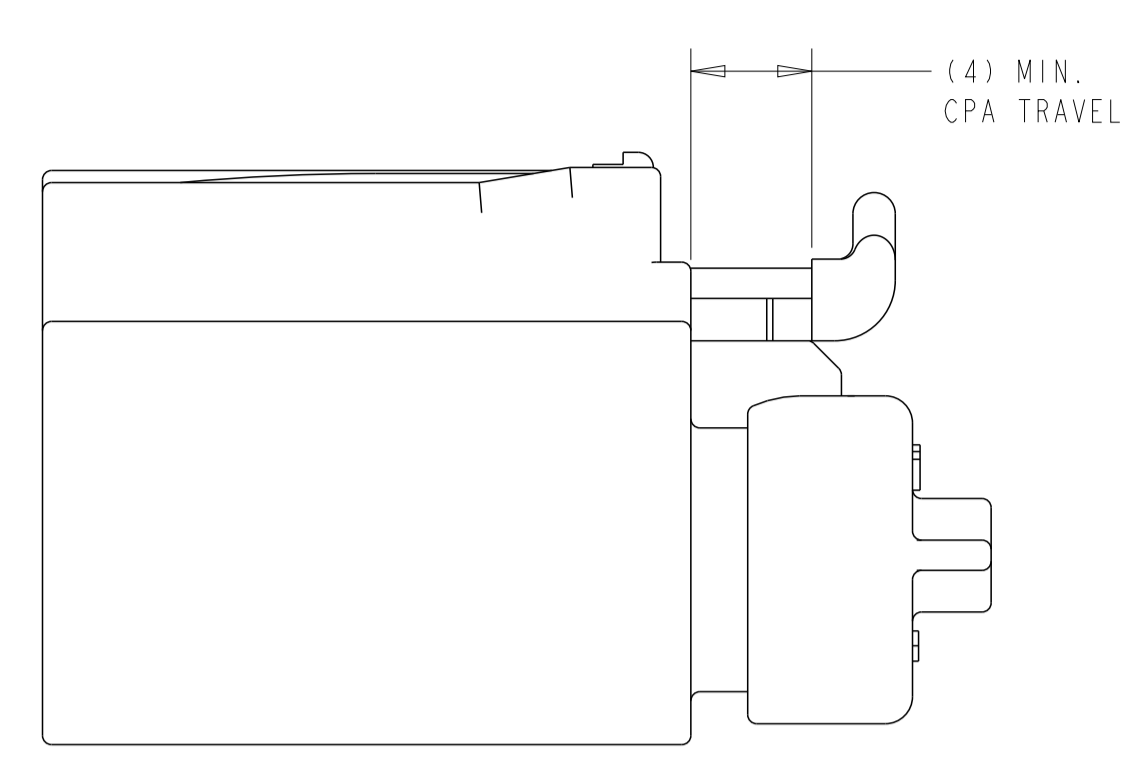
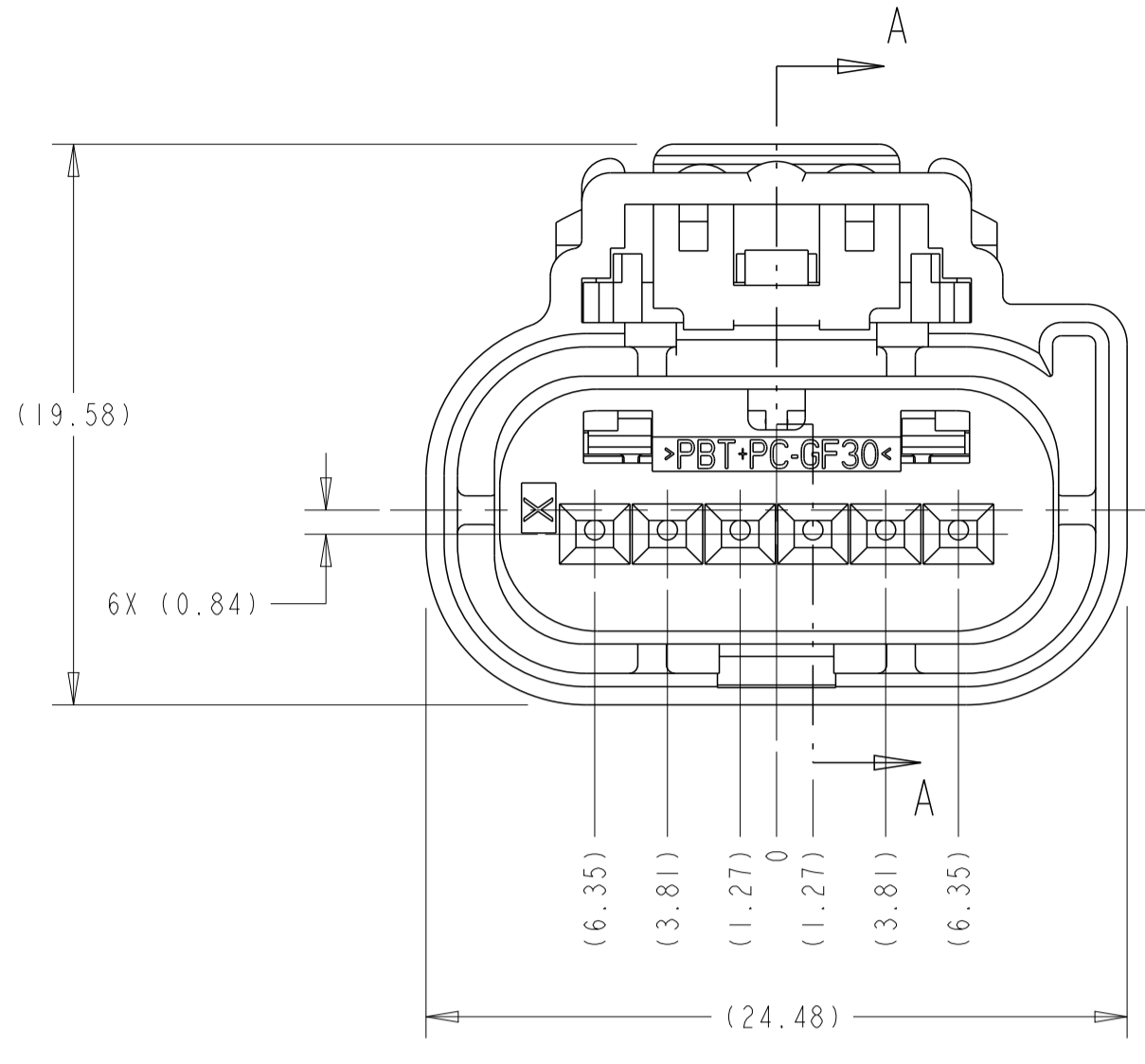


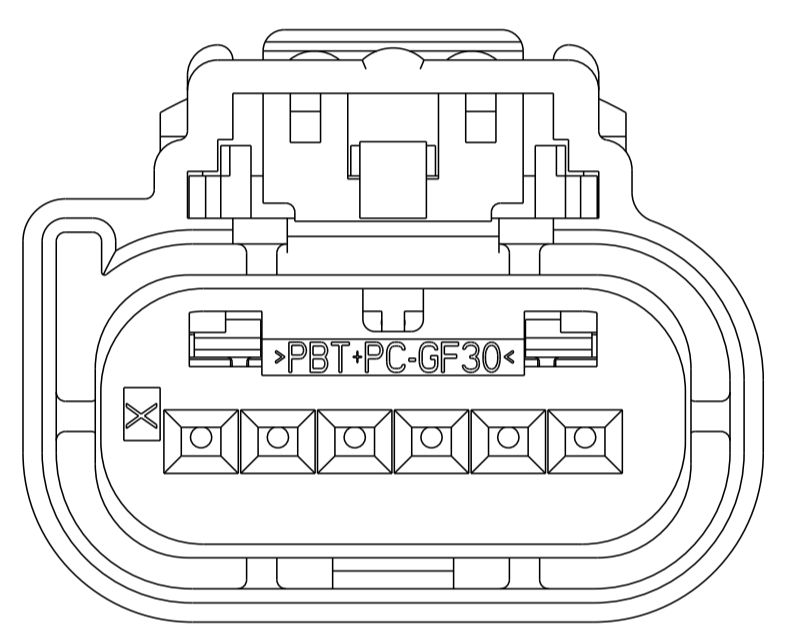
REVISIONS				
P.	LTN	DESCRIPTION	DATE	OWN APVD
V2		REVISED PER ECO-17-001035	25JAN2017	DLD DCM
V3		REVISED PER ECO-17-006269	04MAY2017	DLD DCM
V4		REVISED PER ECO-17-015846	02NOV2017	JMS CM
V5		REVISED PER ECO-20-012415	10SEP2020	AP CM



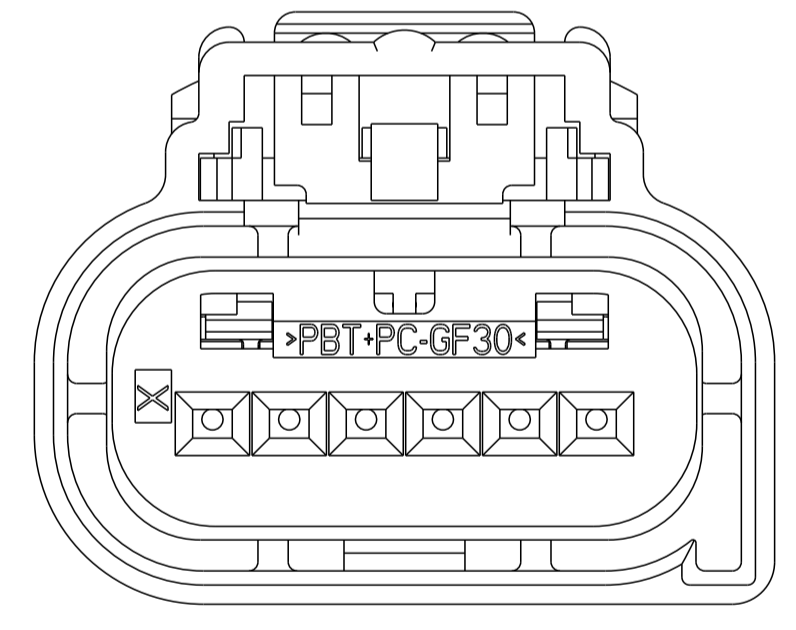
SECTION A-A  
 SHOWN WITH TPA  
 AND CPA (OPTIONAL) IN  
 THEIR PRE-LOADED POSITION  
 (DELIVERY CONDITION)



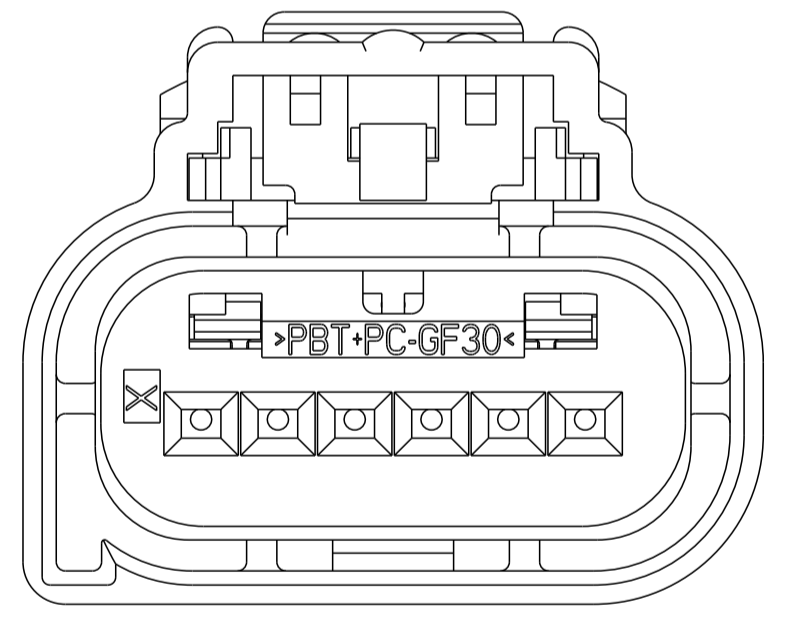
KEYING OPTION "A"



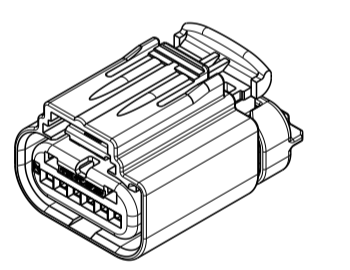
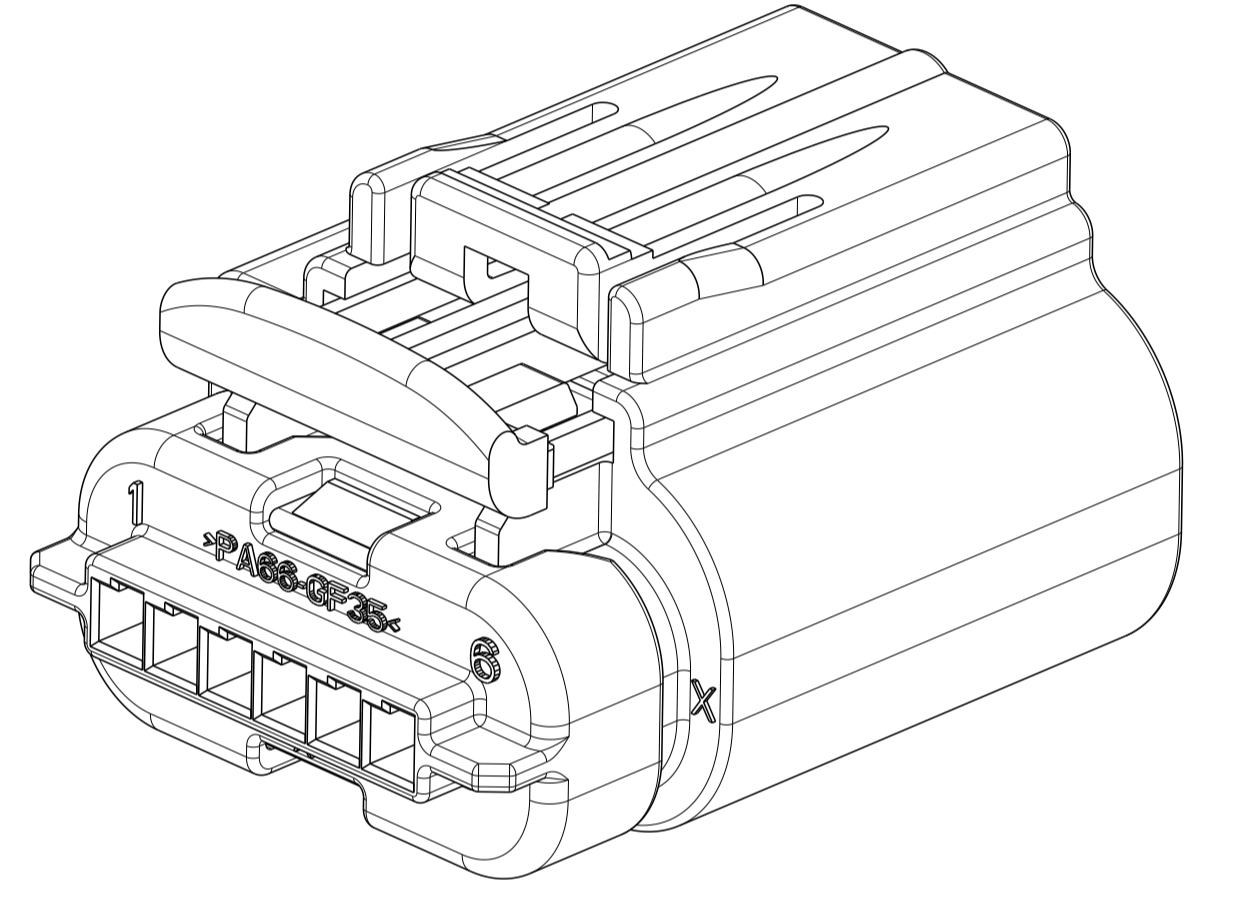
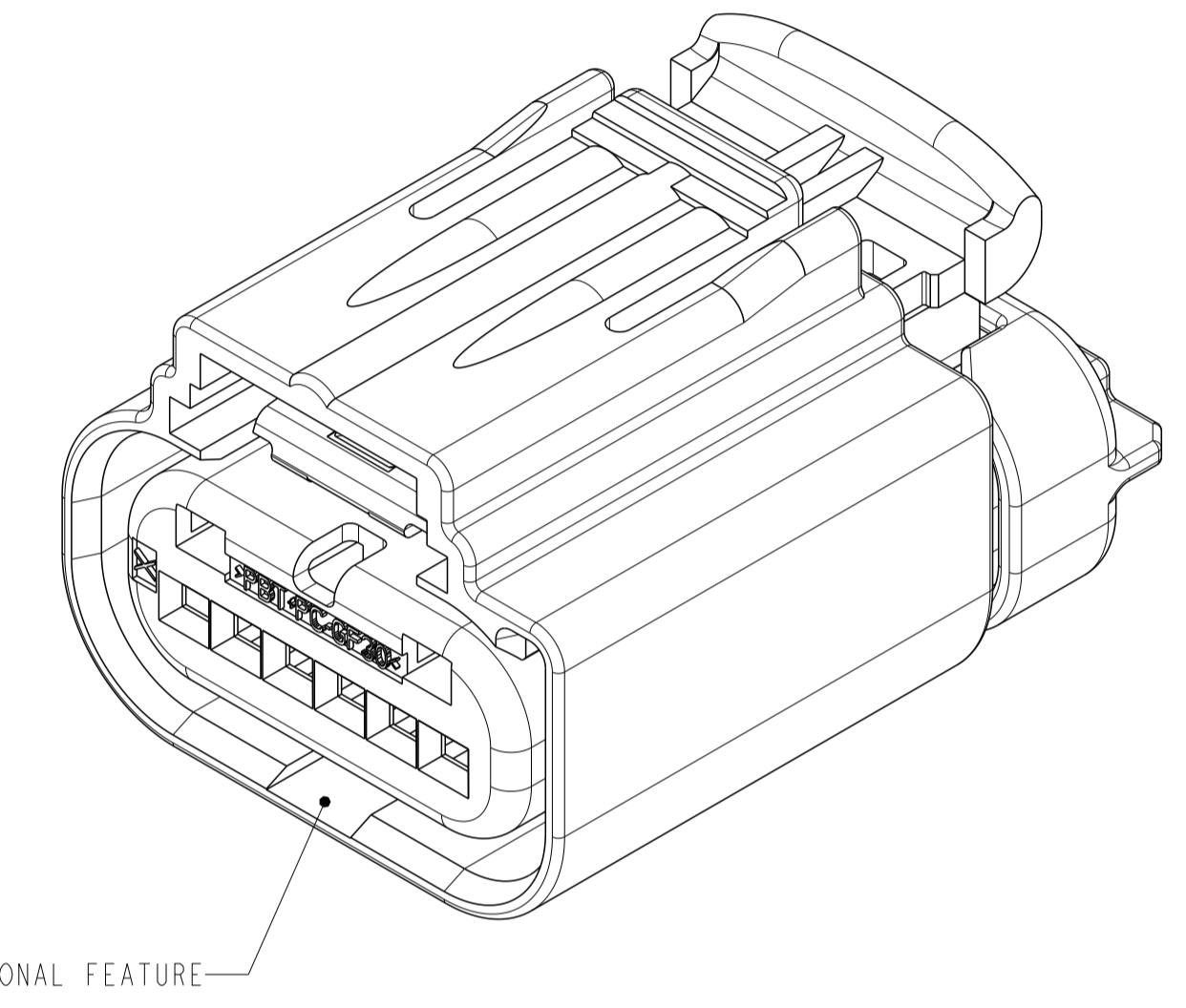
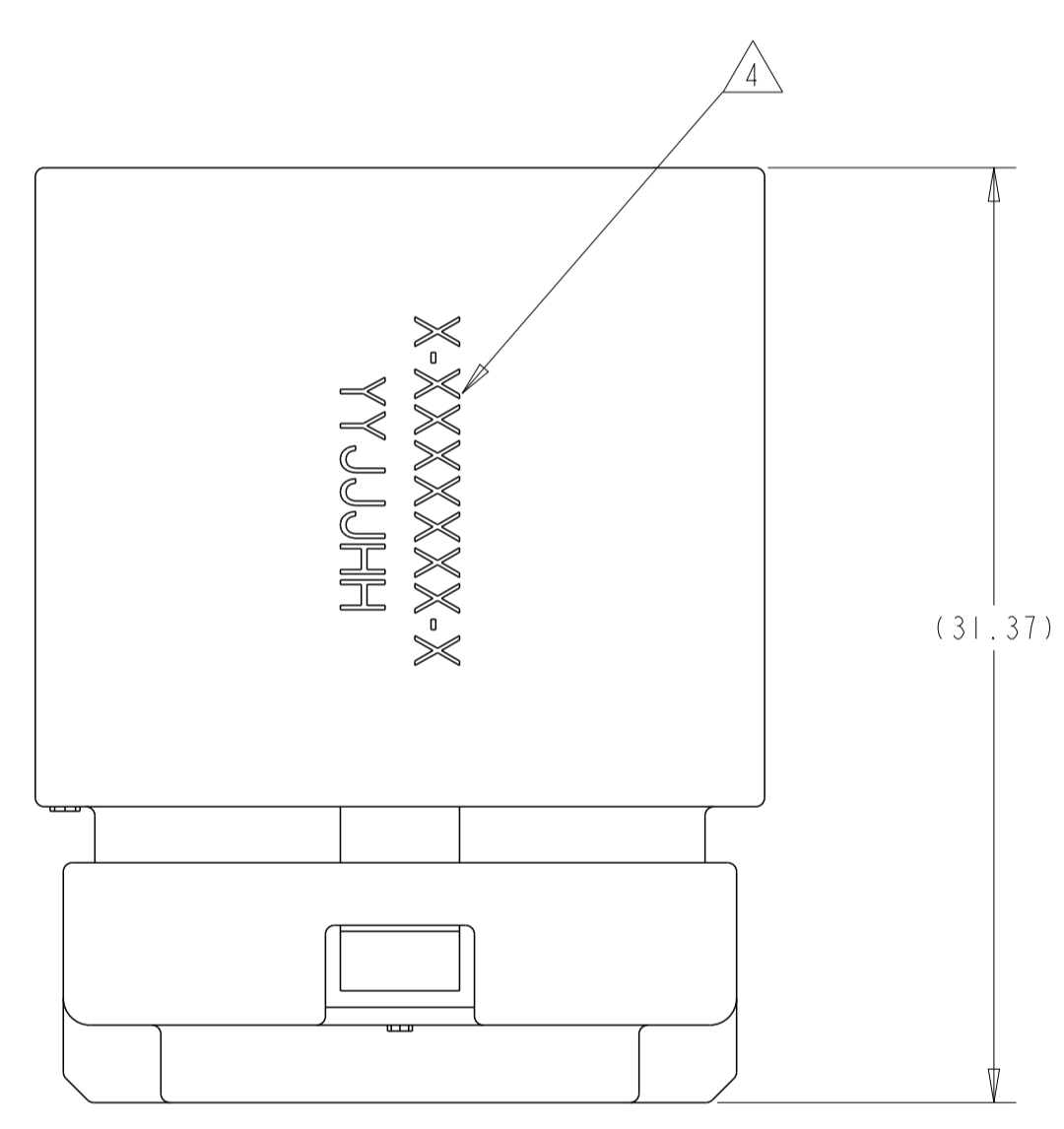
KEYING OPTION "B"



KEYING OPTION "C"



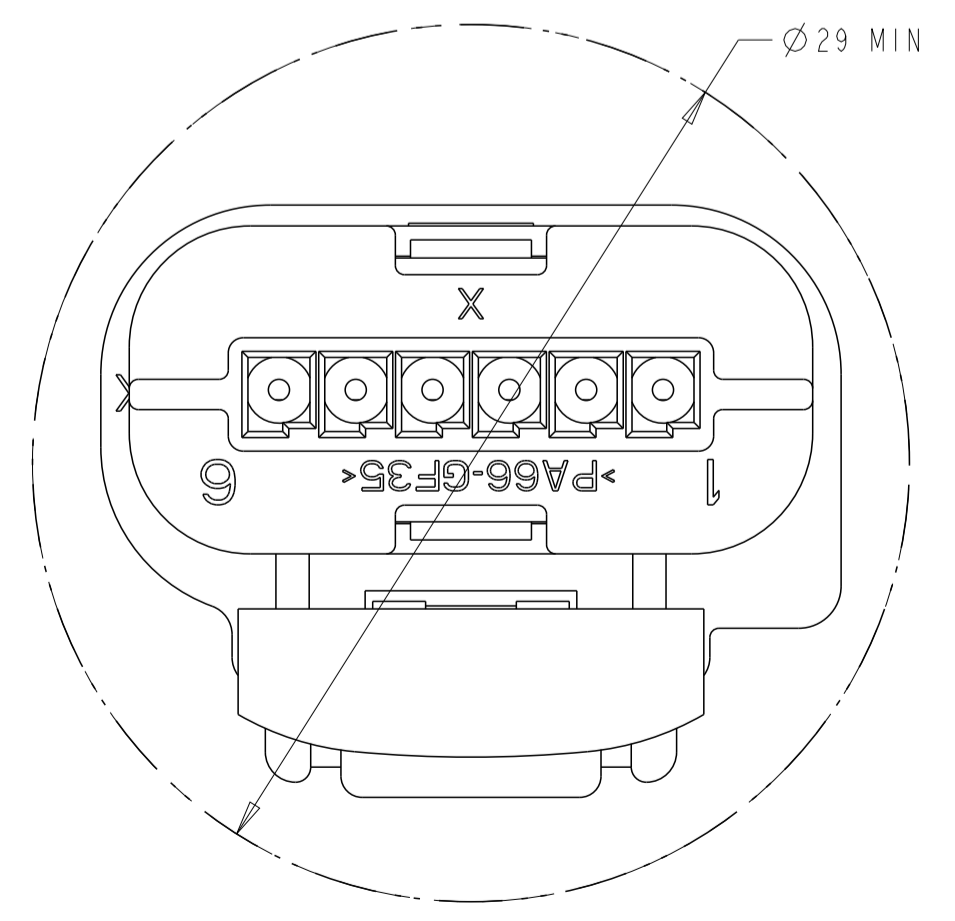
KEYING OPTION "D"



SCALE 1:1

KEYING OPTION "A" SHOWN  
 SEE NOTE 5 FOR APPLICABLE HEADER  
 INTERFACE INFORMATION

- APPLICABLE TERMINAL PART NUMBERS (SOLD SEPARATELY):  
 FOR TIN APPLICATIONS: 1393367 AND 1393366.  
 FOR GOLD APPLICATIONS: 1393365 AND 1393364.  
 FOR TERMINATION AND REELING OPTIONS  
 SEE DRAWINGS 1393367, 1393366, 1393365, AND 1393364.
- COMPATIBLE WIRE SIZES FOR MAT SEAL DESIGN 1.19 TO 2.06 O.D.  
 (22-18 AWG, 0.35-0.75 mm<sup>2</sup>)
- TPA IS SHIPPED IN PRE-LOADED POSITION. SOME TPA'S MAY BECOME FULLY  
 SEATED DURING SHIPPING. USE TE CONNECTIVITY INSTRUCTION SHEET  
 408-10128 TO REPOSITION TPA TO IT'S PRE-LOADED POSITION.
- TE CONNECTIVITY ASSEMBLY PART NUMBER (X-XXXXXX-X) AND TRACEABILITY CODE  
 (YY = TWO DIGIT YEAR, JJJ = JULIAN DAY, HH = TWO DIGIT MILITARY HOUR)  
 ARE PRINTED IN THIS LOCATION.
- APPLICABLE HEADER INTERFACE DRAWING 1438199 IS AVAILABLE UPON REQUEST.  
 A COPY OF THIS DRAWING CAN BE OBTAINED FROM THE TE CONNECTIVITY  
 PRODUCT MANAGER, VIA YOUR TE CONNECTIVITY SALES REPRESENTATIVE  
 OR CUSTOMER SERVICE.
- ASSEMBLIES ARE BULK PACKAGED.
- OPTIONAL CPA IS SHIPPED IN IT'S PRE-LOADED POSITION.
- OBsolete PART



MINIMUM FEED THROUGH CONDITION  
 WITH 1mm CLEARANCE ALL AROUND

ITEM	DESCRIPTION	MATERIAL	COLOR
6	CPA	PBT-GF15	RED
5	PERIMETER SEAL	SILICONE	GREEN
4	GROMMET	SILICONE	BROWN
3	COVER	PA66-GF35	BLACK
2	TPA	PBT+PC-GF30	RED
	PLUG WITH KEYING KEYING OPTION "D"	PA66-GF35	BLACK
	PLUG WITH KEYING KEYING OPTION "C"	PA66-GF35	BLACK
	PLUG WITH KEYING KEYING OPTION "B"	PA66-GF35	BLACK
	PLUG WITH KEYING KEYING OPTION "A"	PA66-GF35	BLACK

THIS DRAWING IS A CONTROLLED DOCUMENT. DWN: M. FORISKA, 15OCT2001  
 CHK: M. FORISKA, 15OCT2001  
 APVD: A. SHUMAN, 15OCT2001

DIMENSIONS: mm  
 TOLERANCES UNLESS OTHERWISE SPECIFIED:  
 0 PLC ±0.3  
 1 PLC ±0.10  
 2 PLC ±0.10  
 3 PLC ±0.10  
 4 PLC ±0.10  
 ANGLES ±0.5°

MATERIAL: - FINISH: -

WEIGHT: -

CUSTOMER DRAWING

NAME: I X 6 SEALED CONNECTOR HARNESS ASSEMBLY  
 SIZE: A1  
 CAGE CODE: 00779  
 DRAWING NO: 114-13150  
 SCALE: 4:1  
 SHEET: 1 OF 2  
 REV: V5

REVISIONS				
P.	LTN	DESCRIPTION	DATE	APPV
-		SEE SHEET 1	-	-

6	5	4	3	2	1	TE CONNECTIVITY ASSEMBLY PART NUMBER	FORD PART NUMBER
						2-1438153-0	3L2T-14A464-BA-007
6					1	1-1438153-9	---
6						1-1438153-3	3L2T-14A464-BA-006
			3			1-1438153-2	3L2T-14A464-BA-005
			3		1	1-1438153-9	3L2T-14A464-BA-004
	4					1438153-8	3L2T-14A464-BA-003
					1	1438153-4	3L2T-14A464-BA-002
6					1	1438153-1	3L2T-14A464-BA-001
						1-1419168-1	3L2T-14A464-BA-000
6	5	4	3	2	1	TE CONNECTIVITY ASSEMBLY PART NUMBER	FORD PART NUMBER
CAVITIES WITH A NUMBER INDICATES CLOSED TERMINAL HOLE LOCATION							
BLANK CAVITIES INDICATES OPEN TERMINAL HOLE LOCATION							
KEY A, WITH CPA							

6	5	4	3	2	1	TE CONNECTIVITY ASSEMBLY PART NUMBER	FORD PART NUMBER
			3			2-1438153-1	3W4T-14A464-VA-008
6						1-1438153-6	3W4T-14A464-VA-007
6	5		3		1	1-1438153-5	3W4T-14A464-VA-006
6				2	1	1-1438153-4	3W4T-14A464-VA-005
	5					1-1438153-1	3W4T-14A464-VA-004
		4			1	1-1438153-0	---
					1	1438153-6	3W4T-14A464-VA-003
6					1	1438153-5	3W4T-14A464-VA-002
6		4			1	1438153-2	3W4T-14A464-VA-001
						1-1419168-2	3W4T-14A464-VA-000
6	5	4	3	2	1	TE CONNECTIVITY ASSEMBLY PART NUMBER	FORD PART NUMBER
CAVITIES WITH A NUMBER INDICATES CLOSED TERMINAL HOLE LOCATION							
BLANK CAVITIES INDICATES OPEN TERMINAL HOLE LOCATION							
KEY B, WITH CPA							

6	5	4	3	2	1	TE CONNECTIVITY ASSEMBLY PART NUMBER	FORD PART NUMBER
						1-1438153-8	9U5T-14A464-GAA-003
6					1	1-1438153-7	9U5T-14A464-GAA-002
6						1-1419168-5	9U5T-14A464-GAA-001
						1-1419168-3	9U5T-14A464-GAA
6	5	4	3	2	1	TE CONNECTIVITY ASSEMBLY PART NUMBER	FORD PART NUMBER
CAVITIES WITH A NUMBER INDICATES CLOSED TERMINAL HOLE LOCATION							
BLANK CAVITIES INDICATES OPEN TERMINAL HOLE LOCATION							
KEY C, WITH CPA							

6	5	4	3	2	1	TE CONNECTIVITY ASSEMBLY PART NUMBER	FORD PART NUMBER
						1438153-3	3L2T-14A464-GA-001
						1419168-7	3L2T-14A464-GA-000
6	5	4	3	2	1	TE CONNECTIVITY ASSEMBLY PART NUMBER	FORD PART NUMBER
CAVITIES WITH A NUMBER INDICATES CLOSED TERMINAL HOLE LOCATION							
BLANK CAVITIES INDICATES OPEN TERMINAL HOLE LOCATION							
KEY A, NO CPA							


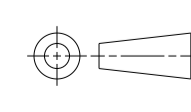
6	5	4	3	2	1	TE CONNECTIVITY ASSEMBLY PART NUMBER	FORD PART NUMBER
6						1438153-7	4L5T-14A464-BA-001
						1419168-8	4L5T-14A464-BA-000
6	5	4	3	2	1	TE CONNECTIVITY ASSEMBLY PART NUMBER	FORD PART NUMBER
CAVITIES WITH A NUMBER INDICATES CLOSED TERMINAL HOLE LOCATION							
BLANK CAVITIES INDICATES OPEN TERMINAL HOLE LOCATION							
KEY B, NO CPA							

6	5	4	3	2	1	TE CONNECTIVITY ASSEMBLY PART NUMBER	FORD PART NUMBER
						1419168-9	---
6	5	4	3	2	1	TE CONNECTIVITY ASSEMBLY PART NUMBER	FORD PART NUMBER
CAVITIES WITH A NUMBER INDICATES CLOSED TERMINAL HOLE LOCATION							
BLANK CAVITIES INDICATES OPEN TERMINAL HOLE LOCATION							
KEY C, NO CPA							

6	5	4	3	2	1	TE CONNECTIVITY ASSEMBLY PART NUMBER	FORD PART NUMBER
						1-1419168-0	---
6	5	4	3	2	1	TE CONNECTIVITY ASSEMBLY PART NUMBER	FORD PART NUMBER
CAVITIES WITH A NUMBER INDICATES CLOSED TERMINAL HOLE LOCATION							
BLANK CAVITIES INDICATES OPEN TERMINAL HOLE LOCATION							
KEY D, NO CPA							

PINOUT CHARTS

THIS DRAWING IS A CONTROLLED DOCUMENT.

DIMENSIONS:	TOLERANCES UNLESS OTHERWISE SPECIFIED:	OWN: M. FORISKA 15OCT2001	 TE Connectivity NAME: 1 X 6 SEALED CONNECTOR HARNESS ASSEMBLY
mm	0 PLC ±0.3	CHK: M. FORISKA 15OCT2001	
	1 PLC ±0.10	APPV: A. SHUMAN 15OCT2001	
	2 PLC ±0.10	PRODUCT SPEC	
	3 PLC ±0.10	APPLICATION SPEC	SIZE: CAGE CODE DRAWING NO RESTRICTED TO
	4 PLC ±0.10	WEIGHT	A1 00779 C=1-1419168-1
	ANGLES ±3°	CUSTOMER DRAWING	SCALE 4:1 SHEET 2 OF 2 REV V5

# Mouser Electronics

Authorized Distributor

Click to View Pricing, Inventory, Delivery & Lifecycle Information:

[TE Connectivity:](#)

[1-1438153-3](#)