

15V AMPLIFIERS

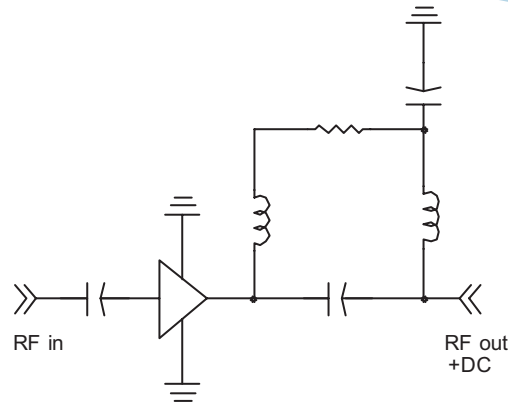
SMA, Type N, TNC, .500 - 2 GHz, 18 dB Gain

SPECIFICATIONS:

Models: 4205S-15V, 4205N-15V, 4205T-15V

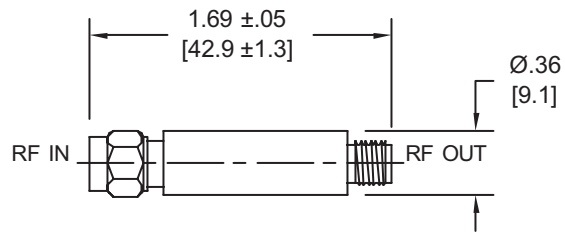
Electrical: Est Conditions: 15 Volts, -10dBm @ +25°C Ambient	
Frequency Range	.500 - 2.0 GHz
Small Signal Gain	18 dB Typ. 16 dB Min.
Output Power at 1 dB Compression (@ 2 GHz)	15 dBm Typ.
NF Noise Figure (@ 2 GHz)	4 dB Typ.
Third Order Intercept Point (@ 2 GHz)	23 dBm Typ.
VSWR Input & Output	2.0:1 Max.
Max Rating:	
Device Current	90 mA
RF Input Power	+10dBm
Operating Temp. Range	-45°C to +85°C
Storage Temp. Range	-65°C to +125°C
Mechanical:	
Connectors	Passivated Stainless Steel
Mates with MIL-STD-348	
Housing	Passivated Stainless Steel
Conductors	Gold Plated Beryllium Copper

Input on Male end is Standard. For Opposite Configuration Please Contact Factory

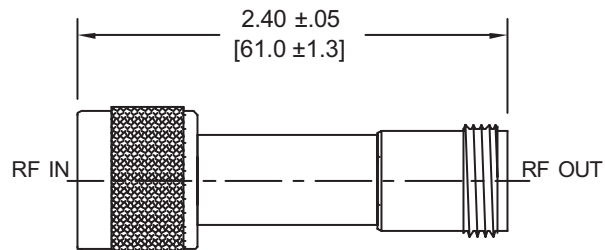


Schematic Diagram

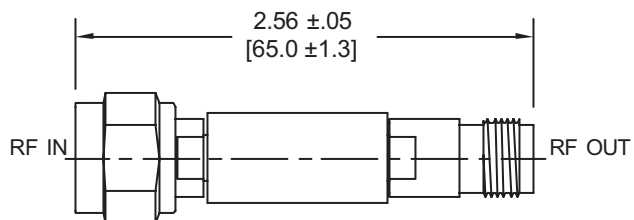
Model Number: **4205S-15V**
SMA Connectors



Model Number: **4205N-15V**
Type N Connectors



Model Number: **4205T-15V**
TNC Connectors



Note: Dimensions in Brackets are Expressed in Millimeters and are for Reference Only.

4205-AMP: REV A



Aeroflex / Inmet, Inc. • 300 Dino Drive, Ann Arbor, MI 48103 • U.S.A.
888-244-6638 or 734-426-5553 • FAX: 734-426-5557
www.aeroflex-inmet.com • sales@eroflex-inmet.com