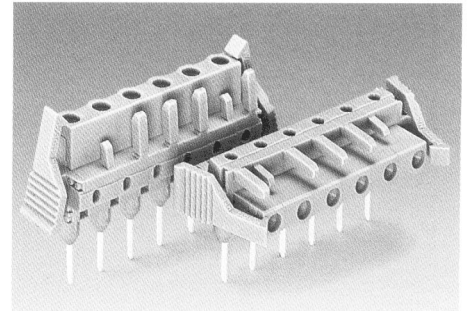
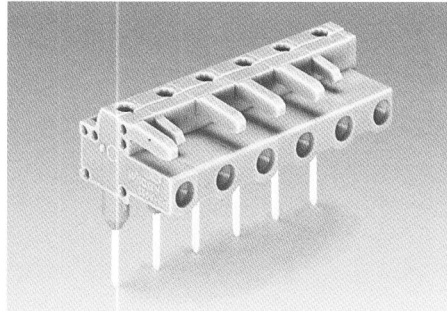
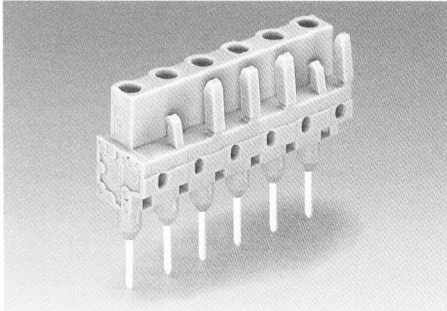


4 Female Connectors for Front-Entry Rail-Mounted Terminal Blocks, Pin Spacing 7.5 mm / 0.295 in, Grey**



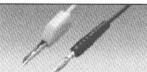



68

<p>Straight contact pin 0.6 mm x 1 mm Pin spacing 7.5 mm / 0.295 in, grey 400 V/6 kV/3 12 A</p> <p>Mating direction vertical</p>	<p>Right angle contact pin 0.6 mm x 1 mm Pin spacing 7.5 mm / 0.295 in, grey 400 V/6 kV/3 12 A</p> <p>Mating direction horizontal</p>	<p>Female connectors with long contact pins and locking device</p> <p>* CCA P NV</p>
--	---	---

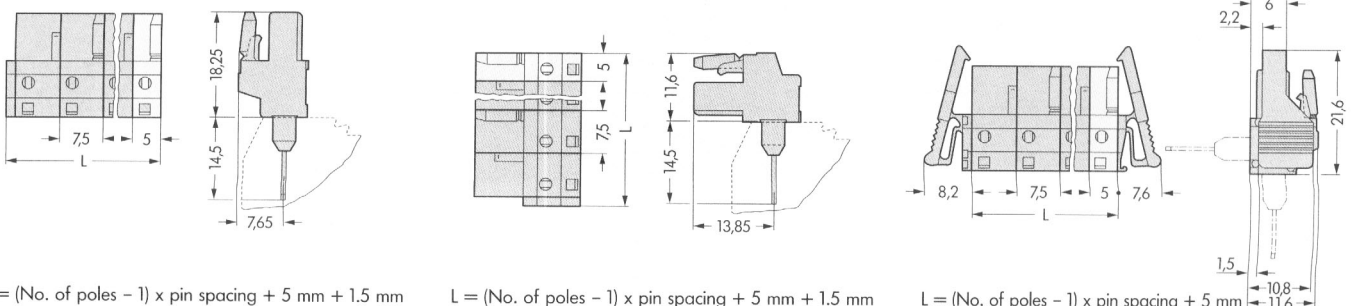


No. of poles	Item-No.	No. of poles	Item-No.	Additional item-No. for ...
Female connectors with straight long contact pins, with coding fingers, with 2 latches, grey		Female connectors with right angle long contact pins, with coding fingers, with 2 latches, grey		... Female connectors with straight or right angle long contact pins and locking device
2 (one latch only)	232-732/005-000	2 (one latch only)	232-832/005-000	.../039-000
3 (one latch only)	232-733/005-000	3 (one latch only)	232-833/005-000	
4	232-734/005-000	4	232-834/005-000	
5	232-735/005-000	5	232-835/005-000	
6 ①	232-736/005-000	6 ①	232-836/005-000	Ordering example: Female connector with straight long contact pins and locking device, pin spacing 7.5 mm/0.295 in, grey, 6-pole 232-736/005-000/039-000
7 ①	232-737/005-000	7 ①	232-837/005-000	
8 ①	232-738/005-000	8 ①	232-838/005-000	
9 ①	232-739/005-000	9 ①	232-839/005-000	
10 ①	232-740/005-000	10 ①	232-840/005-000	
11 ①	232-741/005-000	11 ①	232-841/005-000	
12 ①	232-742/005-000	12 ①	232-842/005-000	
① only suitable for factory installation		① only suitable for factory installation		

Accessories

 <p>Test plug, w. cable 500 mm/1'7.7" 2 mm/0.079 in Ø, red 210-136 2.3 mm/0.091 in Ø, yel. 210-137</p>	 <p>Test plug, w. cable 500 mm/1'7.7" 2 mm/0.079 in Ø, red 210-136 2.3 mm/0.091 in Ø, yel. 210-137</p>	 <p>Test plug, w. cable 500 mm/1'7.7" 2 mm/0.079 in Ø, red 210-136 2.3 mm/0.091 in Ø, yel. 210-137</p>		
 <p>Operating tool, for insertion of female connectors into front-entry rail-mounted terminal blocks 5-way 280-425</p>	 <p>Operating tool, for insertion of female connectors into front-entry rail-mounted terminal blocks 5-way 280-425</p>	 <p>Operating tool, for insertion of female connectors into front-entry rail-mounted terminal blocks 5-way 280-425</p>		
** Each terminal block (5 mm/0.197 in wide, series 280) has to be provided with an intermediate plate (2.5 mm/0.098 in wide).		** Each terminal block (5 mm/0.197 in wide, series 280) has to be provided with an intermediate plate (2.5 mm/0.098 in wide).		** Each terminal block (5 mm/0.197 in wide, series 280) has to be provided with an intermediate plate (2.5 mm/0.098 in wide). For the operation of the locking device at least 20 mm space is required either side for each connector.

Dimensions (in mm)



* For further approvals with corresponding ratings see pages 10.3 ff.

