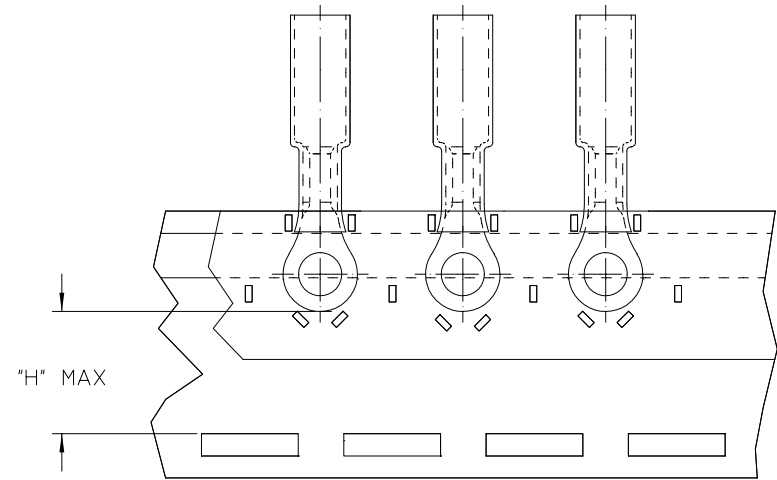
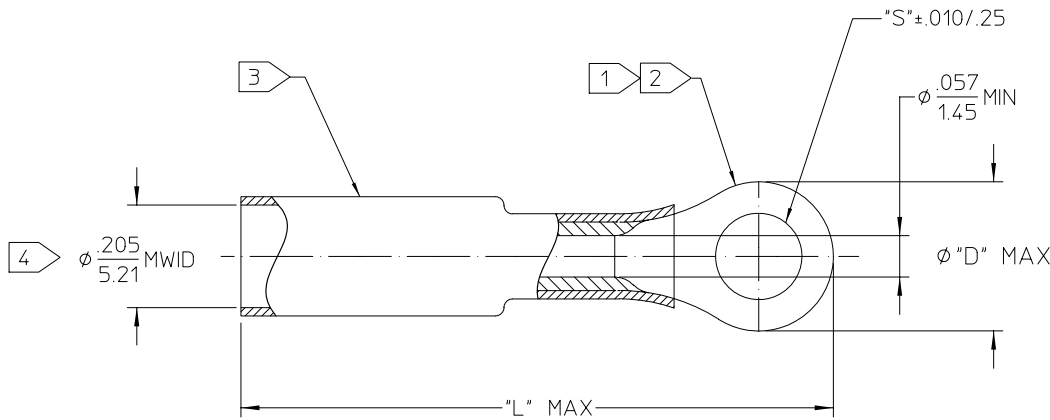


10	9	8	7	6	5	4	3	2	19040
LOOSE PC. MATERIAL NUMBER	LOOSE PC. ENGINEERING NUMBER	ON TAPE MATERIAL NUMBER	ON TAPE ENGINEERING NUMBER	STUD SIZE	HOLE SIZE "S"	"D"	"H"	"L"	
190400126	19040-0126	190400131	19040-0131	#4	∅.126/3.20	.26/6.6	.62/15.8	1.29/32.8	
190400011	19040-0011	190400069	19040-0069	#6	∅.146/3.71	.32/8.1	.53/13.5	1.38/35.1	
190400012	19040-0012	190400070	19040-0070	#8	∅.173/4.39	.32/8.1	.53/13.5	1.38/35.1	
190400013	19040-0013	190400071	19040-0071	#10	∅.198/5.03	.32/8.1	.53/13.5	1.38/35.1	
190400014	19040-0014	190400072	19040-0072	1/4	∅.265/6.73	.48/12.2	.32/8.2	1.55/40.8	
190400015	19040-0015	190400073	19040-0073	3/8	∅.390/9.91	.54/13.7	.31/7.9	1.67/42.4	



PARTS ON TAPE

- NOTES:
 1. TERMINAL MATERIAL: COPPER ALLOY .028/0.71 THK.
 2. FINISH: ELECTRO TIN PLATE.
 3. INSULATION MATERIAL: HEAT SHRINKABLE TUBING WITH HOT-MELT ADHESIVE INNER LINER. COLOR: RED.
 4. MWD = MAXIMUM WIRE INSULATION DIAMETER.

EC NO: ETC2002-0331 DRWN: BRUPERT 2002/05/16 CHKD: 2002/05/16 APPR: RDEROSS 2002/05/16	DESCRIPTION REV	QUALITY SYMBOLS	GENERAL TOLERANCES (UNLESS SPECIFIED)	SCALE NONE	DESIGN UNITS INCH	THIRD ANGLE PROJECTION	REVISE ON CAD ONLY																																									
		▽ = 0 ◻ = 0	<table border="1"> <thead> <tr> <th></th> <th>mm</th> <th>INCH</th> </tr> </thead> <tbody> <tr> <td>4 PLACES</td> <td>± ---</td> <td>± ---</td> </tr> <tr> <td>3 PLACES</td> <td>± ---</td> <td>± .010</td> </tr> <tr> <td>2 PLACES</td> <td>± 0.25</td> <td>± .02</td> </tr> <tr> <td>1 PLACE</td> <td>± 0.5</td> <td>± ---</td> </tr> </tbody> </table>		mm	INCH	4 PLACES	± ---	± ---	3 PLACES	± ---	± .010	2 PLACES	± 0.25	± .02	1 PLACE	± 0.5	± ---	<table border="1"> <thead> <tr> <th colspan="2">DIMENSION STYLE</th> </tr> <tr> <th>IN/MM</th> <th></th> </tr> </thead> <tbody> <tr> <td>DRAWN BY</td> <td>DATE</td> </tr> <tr> <td>B.RUPERT</td> <td>04/15/02</td> </tr> <tr> <td>CHECKED BY</td> <td>DATE</td> </tr> <tr> <td>J.PAWLIC</td> <td>04/30/02</td> </tr> <tr> <td>APPROVED BY</td> <td>DATE</td> </tr> <tr> <td>R.DEROSS</td> <td>04/30/02</td> </tr> </tbody> </table>	DIMENSION STYLE		IN/MM		DRAWN BY	DATE	B.RUPERT	04/15/02	CHECKED BY	DATE	J.PAWLIC	04/30/02	APPROVED BY	DATE	R.DEROSS	04/30/02	<table border="1"> <thead> <tr> <th colspan="2">TITLE</th> </tr> <tr> <th colspan="2">HEAT SHRINK TERMINAL</th> </tr> <tr> <th colspan="2">22-18AWG RING TONGUE</th> </tr> </thead> <tbody> <tr> <td colspan="2">MOLEX INCORPORATED</td> </tr> <tr> <td>MATERIAL NO</td> <td>DOCUMENT NO</td> </tr> <tr> <td>SEE CHART</td> <td>SD-19040-005</td> </tr> <tr> <td>SHEET NO</td> <td>1 OF 1</td> </tr> </tbody> </table>	TITLE		HEAT SHRINK TERMINAL		22-18AWG RING TONGUE		MOLEX INCORPORATED		MATERIAL NO	DOCUMENT NO	SEE CHART	SD-19040-005
	mm	INCH																																														
4 PLACES	± ---	± ---																																														
3 PLACES	± ---	± .010																																														
2 PLACES	± 0.25	± .02																																														
1 PLACE	± 0.5	± ---																																														
DIMENSION STYLE																																																
IN/MM																																																
DRAWN BY	DATE																																															
B.RUPERT	04/15/02																																															
CHECKED BY	DATE																																															
J.PAWLIC	04/30/02																																															
APPROVED BY	DATE																																															
R.DEROSS	04/30/02																																															
TITLE																																																
HEAT SHRINK TERMINAL																																																
22-18AWG RING TONGUE																																																
MOLEX INCORPORATED																																																
MATERIAL NO	DOCUMENT NO																																															
SEE CHART	SD-19040-005																																															
SHEET NO	1 OF 1																																															
DRAFT WHERE APPLICABLE MUST REMAIN WITHIN DIMENSIONS			THIS DRAWING CONTAINS INFORMATION THAT IS PROPRIETARY TO MOLEX INCORPORATED AND SHOULD NOT BE USED WITHOUT WRITTEN PERMISSION																																													