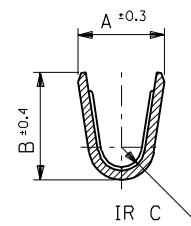
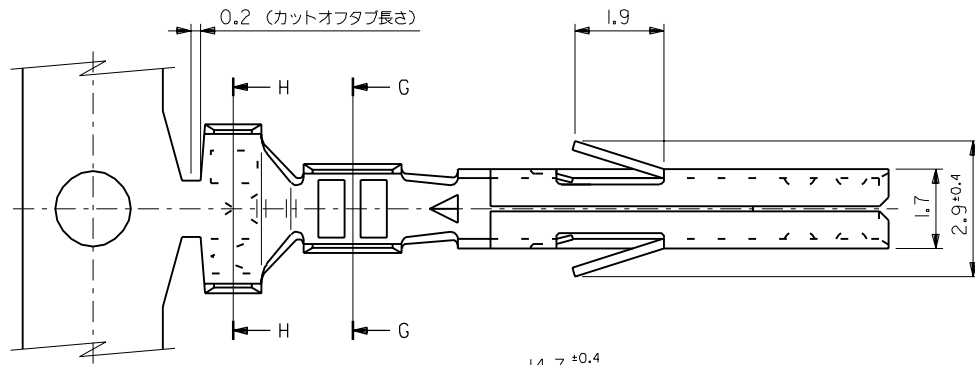
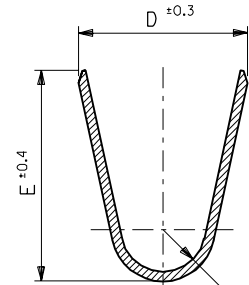


EDP NO. 39-00-00** ENG. NO. SD-5556****

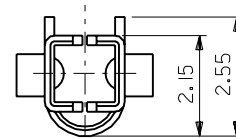
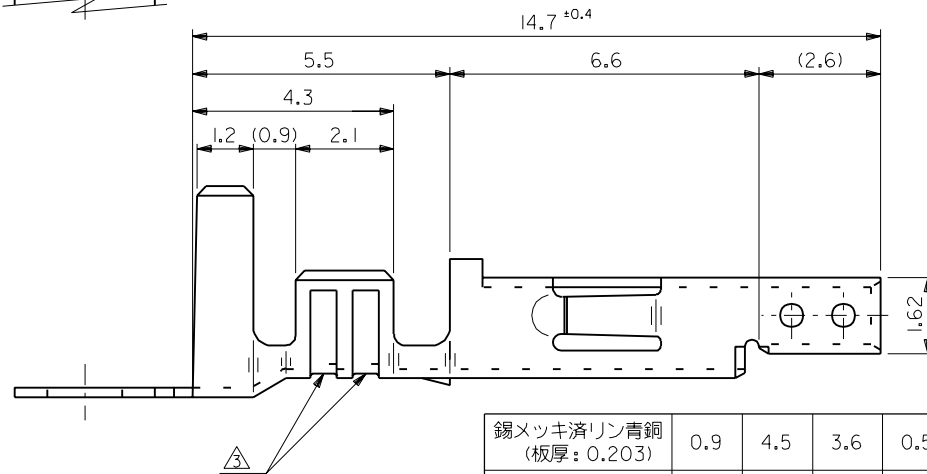
MM DIMENSIONS IN METRIC DO NOT SCALE DRAWING



SECT. G-G



SECT. H-H



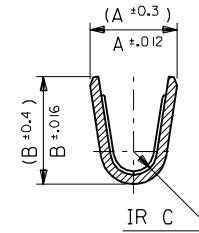
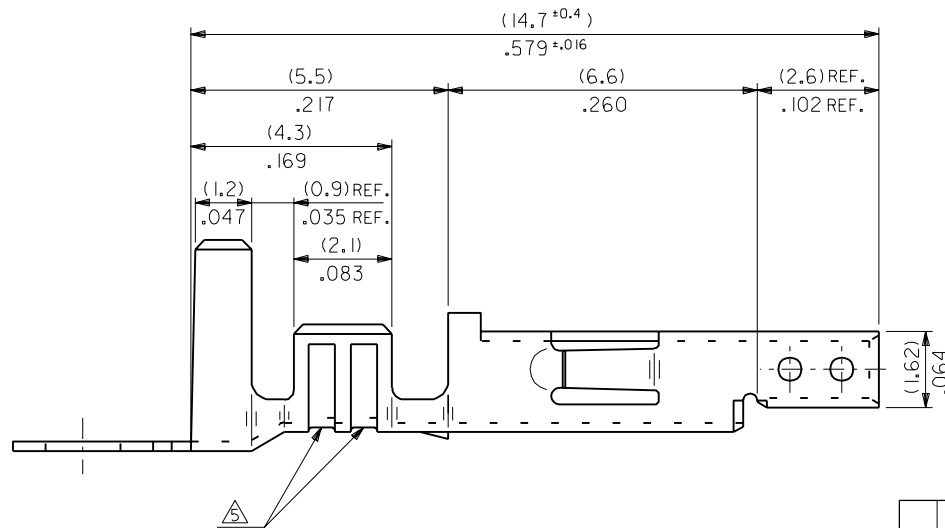
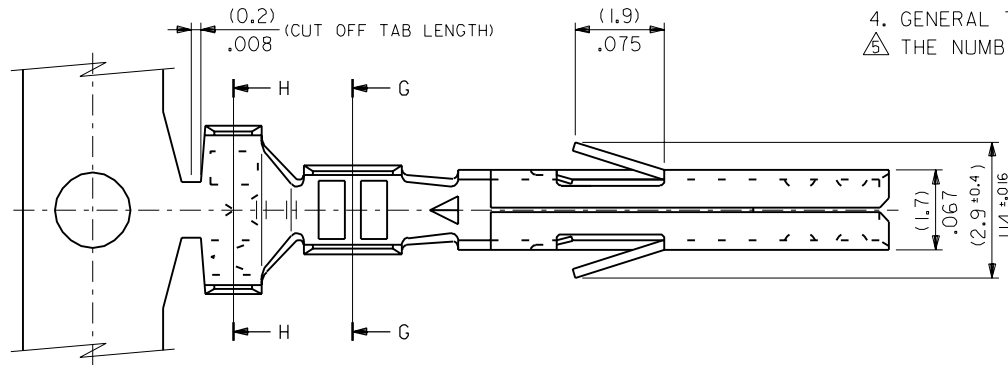
錫メッキ済リン青銅 (板厚: 0.203)	0.9	4.5	3.6	0.5	2.3	1.9	∅ 1.3-3.1	#18-24	39-00-0060	5556 PBTL	バラ状
錫メッキ済黄銅 (板厚: 0.203)	0.6	2.3	2.3	0.4	1.65	1.8	∅ 0.9-1.8	#22-28	-0059	PBT	連鎖状
	0.9	4.5	3.6	0.5	2.3	1.9	∅ 1.3-3.1	#18-24	-0047	T2L	バラ状
									-0046	T2	連鎖状
									-0039	TL	バラ状
材料	F	E	D	C	B	A	被覆外径	適用電線	EDP NO.	ENG. NO.	端子形状
									39-00-0038	5556 T	連鎖状

注記

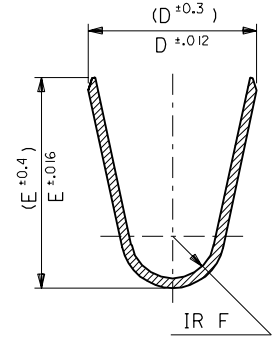
- 適合ハウジング: 5557 シリーズ
 - 嵌合相手: 5558, 5566, 5569 シリーズ
- ㊦ 適用電線が #22-28 の製品のセレーション数は 1 とする。

材料 MATERIAL		表参照		MOLLEX MOLEX-JAPAN CO.,LTD. 日本モレックス株式会社	
仕上げ FINISH		—H—		EDP. NO. 39-00-00**	
適用電線範囲 WIRE RANGE		表参照		ENG. NO. SD-5556****	
被覆外径 INS. RANGE		表参照		REV G	
DRAWN BY '91/5/18 H.HIRAMOTO		CHK'D BY '98/11/9 K.T.S.KUNISHI		TITLE 名称 NEW MINI. FIT CONN. CRIMP RECEPTACLE	
APP'D BY '98/11/9 M.FUKUSHIMA		尺 度 SCALE 10 - 1			
角度 ANGLE	±3°	F 変更	(JC90279)	Y.K.	'98/11/6
30 以上 OVER	+0.3	E 変更	(JC90012)	Y.K.	'98/7/6
10 以上 30 未満 OVER UNDER	+0.25	D 変更&再作図	(J10380)	H.H.	'98/5/6
10 未満 UNDER	+0.2	記号 LTR	変更内容 REVISION RECORD	DR. CHK.	日付 DATE
一般公差 GENERAL TOLERANCES		REVISE ONLY ON CAD SYSTEM			

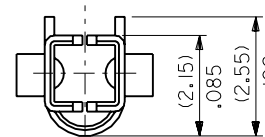
- NOTES**
1. APPLICABLE HOUSING : 5557 SERIES.
 2. MATES WITH TERMINAL : 5558, 5566, 5569 SERIES.
 3. (METRIC) VALUES SHOWN GOVERN OVER ENGLISH CONVERSION VALUES.
 4. GENERAL TOLERANCES OF ENGLISH CONVERSION VALUES : ±.008 INCH.
- △ THE NUMBER OF SERRATIONS TO BE ONE FOR WIRE RANGE #22-28.



SECT. G-G



SECT. H-H



		材料 MATERIAL	SEE SHEET 2 OF 2	MOLEX-JAPAN CO.,LTD. 日本モレックス株式会社	
J	REVISED (JC90279)	Y.K. S.K.	'98/11/6	仕上げ FINISH	SEE SHEET 2 OF 2
H	REVISED (JC90012)	Y.K. S.K.	'98/7/6	適用電線範囲 WIRE RANGE	SEE SHEET 2 OF 2
G	REVISED (JC80619)	Y.K. S.K.	'98/5/6	被覆外径 INS. RANGE	SEE SHEET 2 OF 2
F	REVISED & REDRAWN (J1038D)	H.H.	'91/6/25	DRAWN BY '91/5/18	CHK'D BY '98/11/9
	記号 LTR	変更内容 REVISION RECORD	DR. CHK. DATE	H.HIRAMOTO	K.T.S.KUNISHI
一般公差 GENERAL TOLERANCES			REVISION RECORD	APP'D BY '98/11/9	M.FUKUSHIMA
REVISION RECORD			DATE	尺度 SCALE	10 - 1

TIN OVER NICKEL PLATED PHOSPHOR BRONZE	(0.9) .035	(4.5) .177	(3.6) .142	(0.6) .024	(2.7) .106	(2.3) .091	∅ (3.1) MAX. .122	# 16	39-00-0119	5556 PBS3L	LOOSE
									▲ -0118	▲ PBS3	CHAIN
	(0.6) .024	(2.3) .091	(2.3) .091	(0.4) .016	(1.65) .065	(1.8) .071	∅ (0.9-1.8) .035-.071	#22-28	-0116	PBS2L	LOOSE
	(0.9) .035	(4.5) .177	(3.6) .142	(0.5) .020	(2.3) .091	(1.9) .075	∅ (1.3-3.1) .051-.122	# 18-24	-0115	PBSL	LOOSE
									-0114	PBS	CHAIN
TIN PLATED PHOSPHOR BRONZE	(0.9) .035	(4.5) .177	(3.6) .142	(0.6) .024	(2.7) .106	(2.3) .091	∅ (3.1) MAX. .122	# 16	-0080	PBT3L	LOOSE
									-0079	PBT3	CHAIN
	(0.6) .024	(2.3) .091	(2.3) .091	(0.4) .016	(1.65) .065	(1.8) .071	∅ (0.9-1.8) .035-.071	#22-28	-0066	PBT2L	LOOSE
	(0.9) .035	(4.5) .177	(3.6) .142	(0.5) .020	(2.3) .091	(1.9) .075	∅ (1.3-3.1) .051-.122	# 18-24	-0060	PBTL	LOOSE
									-0059	PBT	CHAIN
TIN OVER NICKEL PLATED BRASS	(0.9) .035	(4.5) .177	(3.6) .142	(0.6) .024	(2.7) .106	(2.3) .091	∅ (3.1) MAX. .122	# 16	-0113	S3L	LOOSE
									-0112	S3	CHAIN
	(0.6) .024	(2.3) .091	(2.3) .091	(0.4) .016	(1.65) .065	(1.8) .071	∅ (0.9-1.8) .035-.071	#22-28	-0111	S2L	LOOSE
	(0.9) .035	(4.5) .177	(3.6) .142	(0.5) .020	(2.3) .091	(1.9) .075	∅ (1.3-3.1) .051-.122	# 18-24	-0109	SL	LOOSE
									-0108	S	CHAIN
TIN OVER COPPER PLATED BRASS	(0.9) .035	(4.5) .177	(3.6) .142	(0.6) .024	(2.7) .106	(2.3) .091	∅ (3.1) MAX. .122	# 16	-0078	T3L	LOOSE
									-0077	T3	CHAIN
	(0.6) .024	(2.3) .091	(2.3) .091	(0.4) .016	(1.65) .065	(1.8) .071	∅ (0.9-1.8) .035-.071	#22-28	-0047	T2L	LOOSE
	(0.9) .035	(4.5) .177	(3.6) .142	(0.5) .020	(2.3) .091	(1.9) .075	∅ (1.3-3.1) .051-.122	# 18-24	-0046	T2	CHAIN
								▼ -0039	▼ TL	LOOSE	
									39-00-0038	5556 T	CHAIN
MATERIAL	F	E	D	C	B	A	INS. RANGE	WIRE RANGE	EDP NO.	ENG. NO.	FORM

材料 MATERIAL		SEE CHART	MOLEX JAPAN CO.,LTD. 日本モレックス株式会社
THICKNESS : (0.203)/.008			
J	SEE SHEET 1 OF 2	Y.K S.K '98/11/6	EDP. NO.
仕上げ FINISH		SEE CHART	SEE CHART
角度 ANGLE	±3°	H	適用電線範囲 WIRE RANGE
30°以上 OVER	±0.3	G	SEE CHART
10°以上 30°未滿 UNDER	±0.25	F	被覆外径 INS. RANGE
10°未滿 UNDER	±0.2	記号 LTR	變更内容 REVISION RECORD
DR. DATE	DR. CHK.	日付 DATE	DRAWN BY '91/5/18 H.HIRAMOTO
一般公差 GENERAL TOLERANCES	REVISION RECORD	DR. CHK.	CHK'D BY '98/11/9 K.T.S.KUNISHI
			APP'D BY '98/11/9 M.FUKUSHIMA
			尺度 SCALE 10 - 1
			TITLE 名称 NEW MINI.FIT CONN. CRIMP RECEPTACLE