

# BNC Series BNC T-ADAPTOR Jack-Plug-Jack

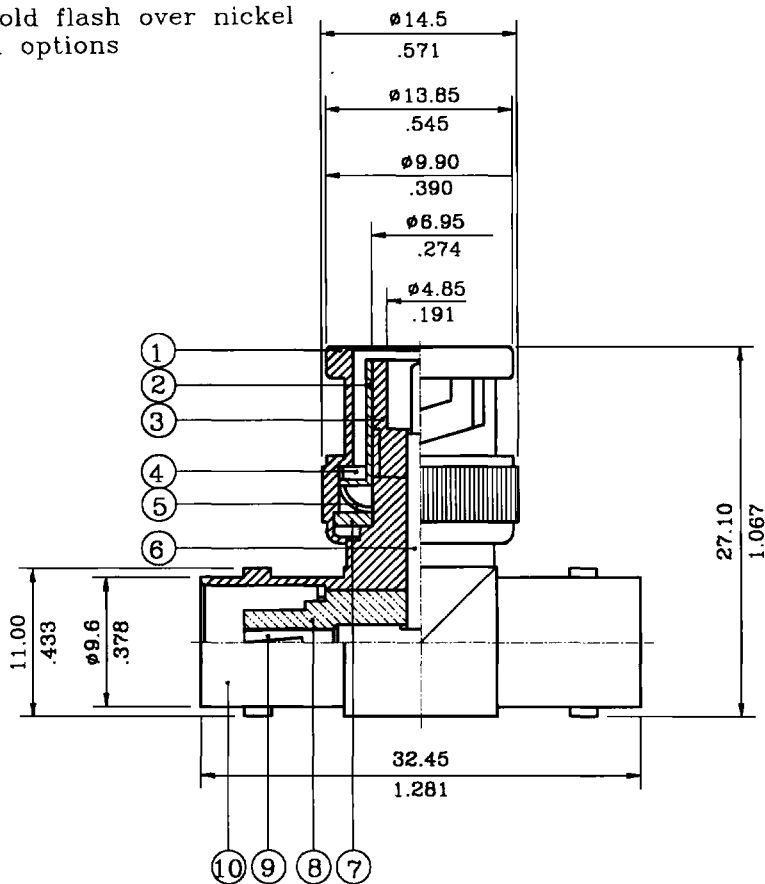


Unit :  $\frac{\text{mm}}{\text{inch}}$

## Ordering Information:

BNC - 03 T \* 000  
 1      2 3 4 5

1. Series No.
2. Three ways
3. T type
4. Contact plating:  
 U = Gold flash over nickel
5. Special options



## Specification:

Item	Description	Material	Plating
1	Shell	Zinc	Nickel
2	Body	Brass	Nickel
3	Insulator	P.P UL 94HB	
4	Gasket	Silicone	
5	Center Contact	Brass	Gold
6	Spring	SK5	
7	Retaining Washer	SK7	
8	Insulator	P.P UL 94HB	
9	Center Contact	Phosphor Bronze	Gold
10	Body	Brass	Nickel