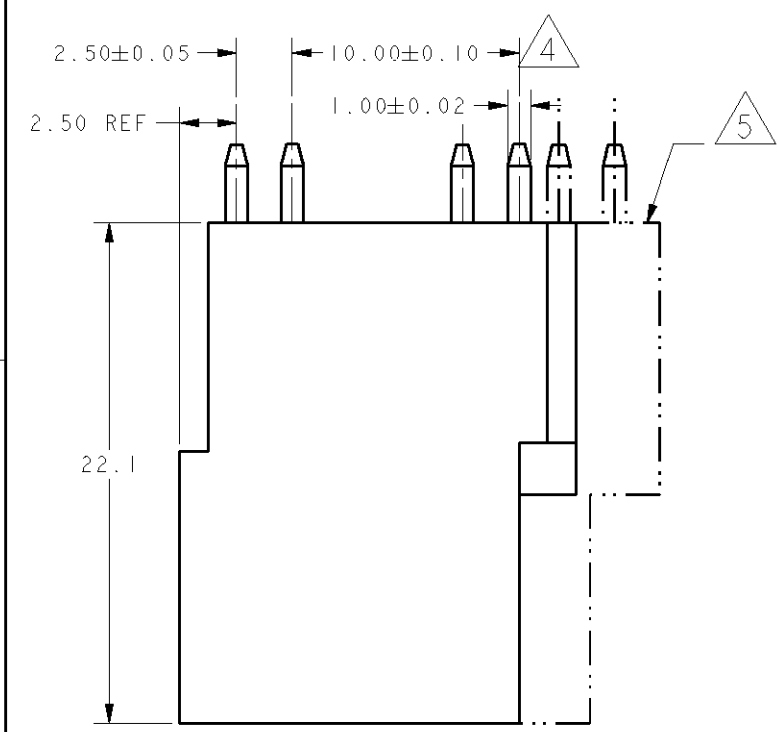
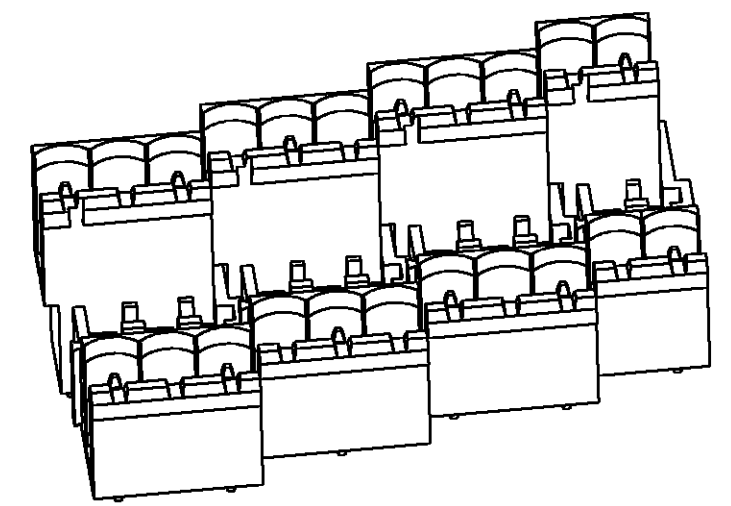


THIS DRAWING IS UNPUBLISHED. RELEASED FOR PUBLICATION 20  
 © COPYRIGHT 20 BY TYCO ELECTRONICS CORPORATION. ALL RIGHTS RESERVED.

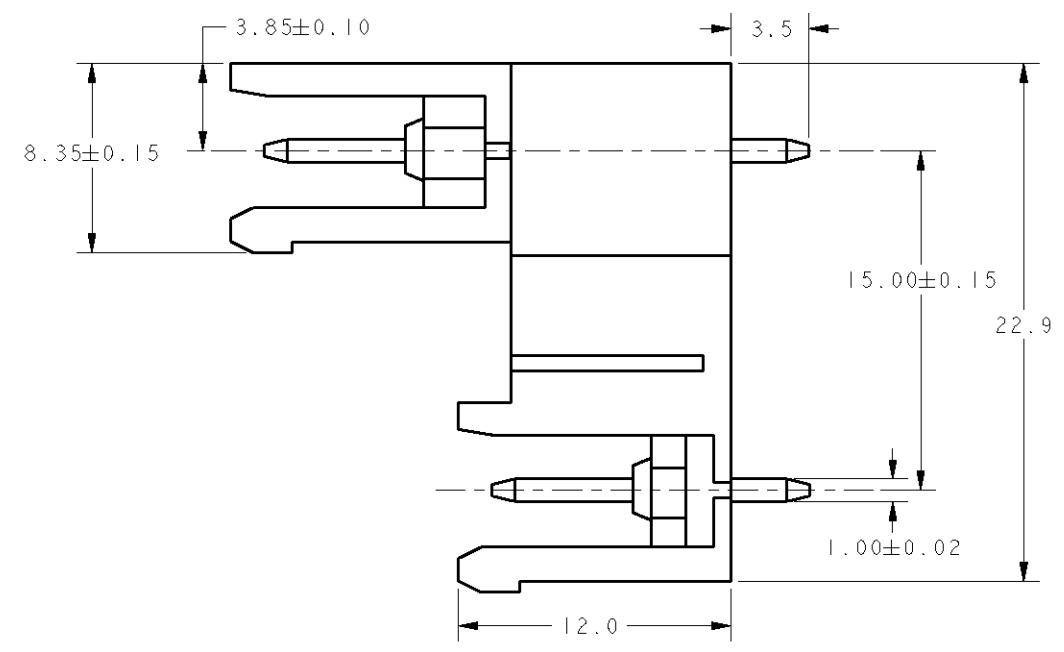
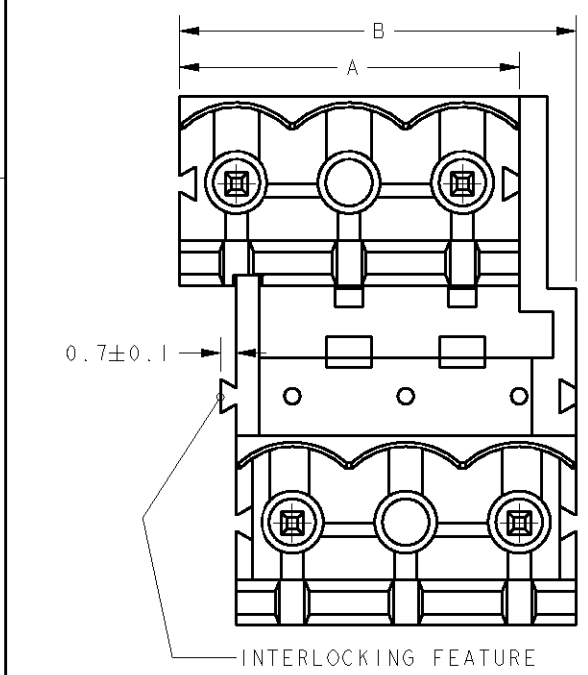
| LOC | DIST | REVISIONS   |                          |           |       |
|-----|------|-------------|--------------------------|-----------|-------|
| P   | LTR  | DESCRIPTION | DATE                     | DWN       | APVD  |
| FT  | 0    | B           | REVISED PER 0G3B-0119-01 | 24JAN2002 | EZ DB |



- 1 MATERIALS AND FINISH  
HOUSING: PA 6-6, UL 94-V0, COLOR GREEN.  
TERMINAL: PHOSPHOR BRONZE, TIN PLATED.
- 2 SUITABLE FOR 1,6-2,4mm PC BOARD THICKNESS.
- 3 END-TO-END STACKABLE WITHOUT LOSS OF CENTERLINE SPACING.
- 4 NOT CUMULATIVE TOLERANCE.
- 5 P/N FROM 284058-4 TO 1-284058-3 ARE OBTAINED BY ASSEMBLING DIFFERENT MONOLITHIC MODULES CHOSEN AMONG 284058-2 AND 284058-3, IN ORDER TO REALIZE THE DESIRED NUMBER OF WAYS.

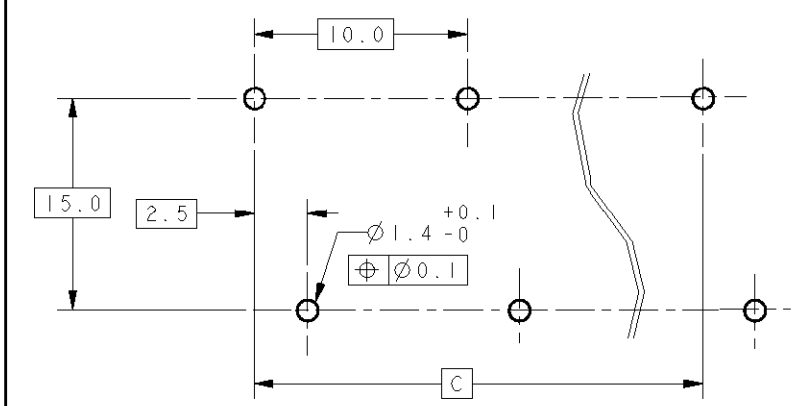


EXPLODED VIEW OF 1-284058-1



| DIM"A" | DIM"B" | DIM"C" | N°OF TOTAL POS. | PART NUMBER |
|--------|--------|--------|-----------------|-------------|
| 125    | 127.5  | 120.0  | 13              | 1-284058-3  |
| 115    | 117.5  | 110.0  | 12              | 1-284058-2  |
| 105    | 107.5  | 100.0  | 11              | 1-284058-1  |
| 95     | 97.5   | 90.0   | 10              | 1-284058-0  |
| 85     | 87.5   | 80.0   | 9               | 284058-9    |
| 75     | 77.5   | 70.0   | 8               | 284058-8    |
| 65     | 67.5   | 60.0   | 7               | 284058-7    |
| 55     | 57.5   | 50.0   | 6               | 284058-6    |
| 45     | 47.5   | 40.0   | 5               | 284058-5    |
| 35     | 35.5   | 30.0   | 4               | 284058-4    |
| 25     | 27.5   | 20.0   | 3               | 284058-3    |
| 15     | 17.5   | -      | 2               | 284058-2    |

RECOMMENDED PC BOARD LAYOUT



|   |  |  |  |  |  |
|---|--|--|--|--|--|
| <small>THIS DRAWING IS A CONTROLLED DOCUMENT FOR TYCO ELECTRONICS CORPORATION<br/>         IT IS SUBJECT TO CHANGE AND THE CONTROLLING ENGINEERING ORGANIZATION<br/>         SHOULD BE CONTACTED FOR THE LATEST REVISION.</small> |  | DWN 24JAN2002<br>E. ZANOLINI<br>CHK 24JAN2002<br>E. ZANOLINI<br>APVD 24JAN2002<br>D. BIEVENOUR                     |  | <b>BUCHANAN</b> Tyco Electronics<br>Harrisburg, PA 17105-3608                                  |  |
| DIMENSIONS:<br>mm   |  | TOLERANCES UNLESS OTHERWISE SPECIFIED:<br>0 PLC ±-<br>1 PLC ±.3<br>2 PLC ±.25<br>3 PLC ±-<br>4 PLC ±-<br>ANGLES ±2 |  | NAME<br>TERMINAL BLOCK<br>MULTIPLE HEADER ASSEMBLY, 180°<br>STACKING W/INTERLOCK, 10.0mm PITCH |  |
| MATERIAL  |  | FINISH   |  | PRODUCT SPEC -<br>APPLICATION SPEC -<br>WEIGHT -   |  |
| CUSTOMER DRAWING  |  |  |  | SIZE A3 CAGE CODE 00779 DRAWING NO C=284058 RESTRICTED TO -                                    |  |
| SCALE 3:1   |  |  |  | SHEET 1 OF 1 REV B   |  |